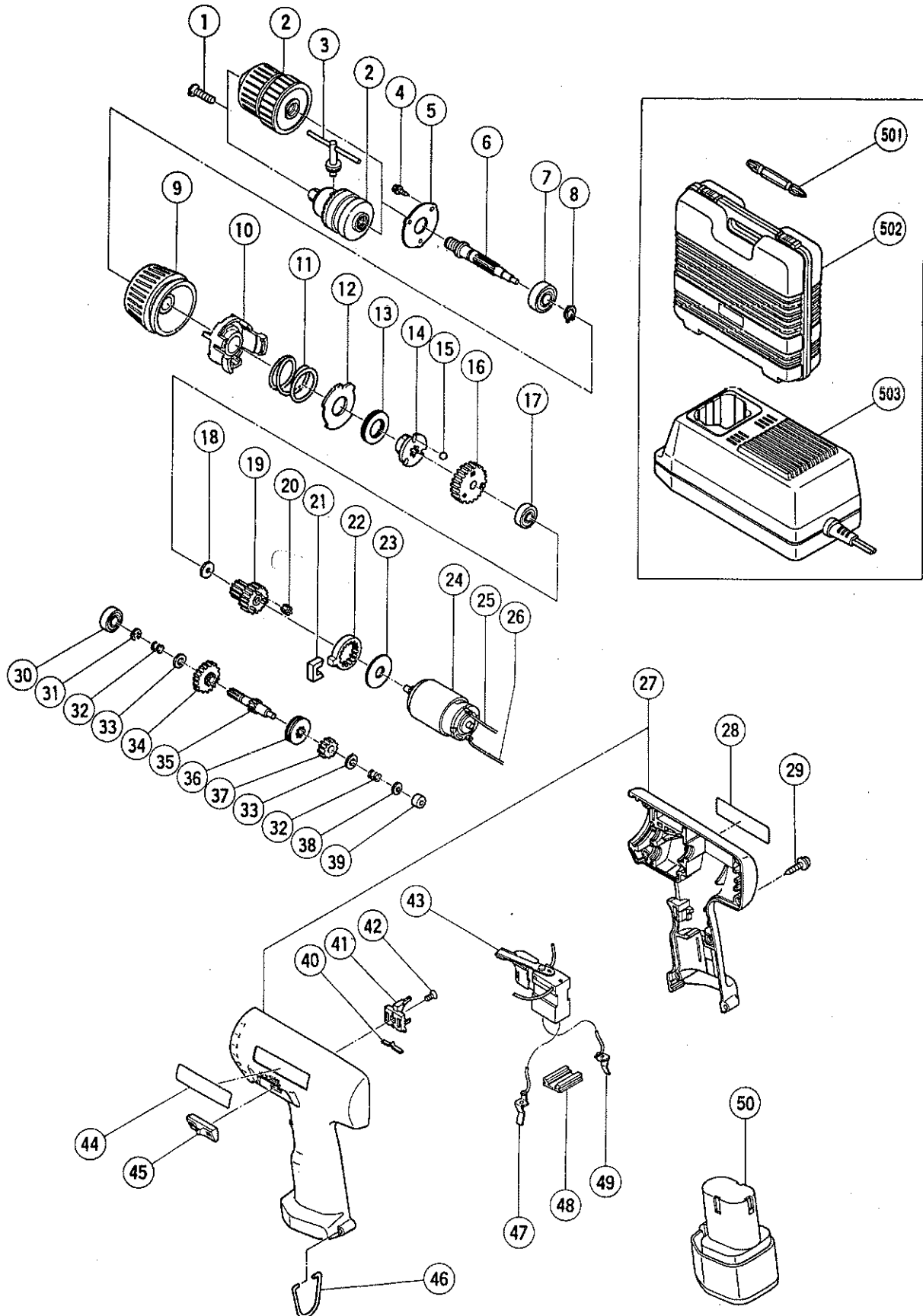


## ELECTRIC TOOL PARTS LIST

■ CORDLESS DRIVER DRILL  
Model DS 10DTB

1992 • 5 • 20  
(E1)



## PARTS

DS 10DTB

ITEM NO.	CODE NO.	DESCRIPTION	NO. USED	REMARKS
1	992-077	FLAT HD. SCREW (LEFT HAND) M5X17	1	
2	950-292	DRILL CHUCK 10TLRA	1	INCLUD.3
2	303-915	DRILL CHUCK 10TLRA - N	1	W/O CHUCK WRENCH
3	980-057	CHUCK WRENCH 10TL2	1	
4	984-327	TAPPING SCREW (W/SP. WASHER) D3X8	3	
5	991-663	PLATE	1	
6	301-741	SPINDLE	1	
7	600-0VV	BALL BEARING 6000VVCMP2S	1	
8	939-540	RETAINING RING FOR D10 SHAFT (10 PCS.)	1	
9	306-034	CAP	1	
10	303-722	SPRING HOLDER	1	
11	306-201	SPRING	1	
12	301-745	THRUST PLATE	1	
13	301-744	THRUST NEEDLE BEARING	1	
14	301-743	BALL HOLDER	1	
15	959-149	STEEL BALL D4.76 (10 PCS.)	3	
16	301-742	FINAL GEAR	1	
17	626-VVM	BALL BEARING 626VVMC2ERPS2S	1	
18	301-730	WASHER	1	
19	306-032	GEAR HOLDER	1	
20	301-725	IDLE GEAR (3 PCS.)	3	
21	301-978	DAMPER	1	
22	301-726	RING GEAR	1	
23	301-727	WASHER	1	
24	306-036	MOTOR	1	
25	306-040	INTERNAL WIRE (B)	1	
26	306-041	INTERNAL WIRE (B)	1	
27	306-202	HOUSING (A).(B) SET	1	
28		NAME PLATE	1	
29	991-672	TAPPING SCREW (W/WASHER) D3X16	6	
30	607-MC3	BALL BEARING 607MC3	1	
31	673-489	RETAINING RING (E - TYPE) FOR D5 SHAFT	1	
32	301-738	SPRING (A)	2	
33	301-739	WASHER	2	
34	301-735	LOW SPEED GEAR	1	
35	301-733	SECOND PINION	1	
36	301-736	CLUTCH PLATE	1	
37	301-734	HIGH SPEED GEAR	1	
38	301-737	WASHER	1	
39	994-677	METAL D4X6	1	
40	980-829	SHIFT SPRING	1	
41	301-749	SHIFT ARM	1	
42	949-321	FLAT HD. SCREW M4X8 (10 PCS.)	1	
43	303-913	SWITCH (1P PLUG IN TYPE) W/O LOCK	1	
44		HITACHI LABEL	1	
45	306-035	SHIFT KNOB	1	
46	980-838	HOOK	1	
47	995-427	TERMINAL	1	
48	991-666	TERMINAL SUPPORT	1	
49	991-589	TERMINAL	1	
50	306-136	BATTERY EB 7 (W/ENGLISH N.P.)	1	

\*: ALTERNATIVE PARTS



**STANDARD ACCESSORIES**

DS 10DTB

ITEM NO.	CODE NO.	DESCRIPTION	NO. USED	REMARKS
501	955-854	+ DRIVER BIT (A) NO.2 70L	1	
502	306-031	CASE	1	
503		CHARGER (MODEL UC 12Y)	1	

**OPTIONAL ACCESSORIES**

ITEM NO.	CODE NO.	DESCRIPTION	NO. USED	REMARKS
601	955-857	- DRIVER BIT (A) 3MMX70L	1	
602	955-859	- DRIVER BIT (A) 4MMX70L	1	
603	955-874	- DRIVER BIT (A) 6MMX70L	1	
604	955-855	+ DRIVER BIT (A) NO.3 70L	1	
605	955-870	+ DRIVER BIT (A) NO.1 70L	1	

\* : ALTERNATIVE PARTS