

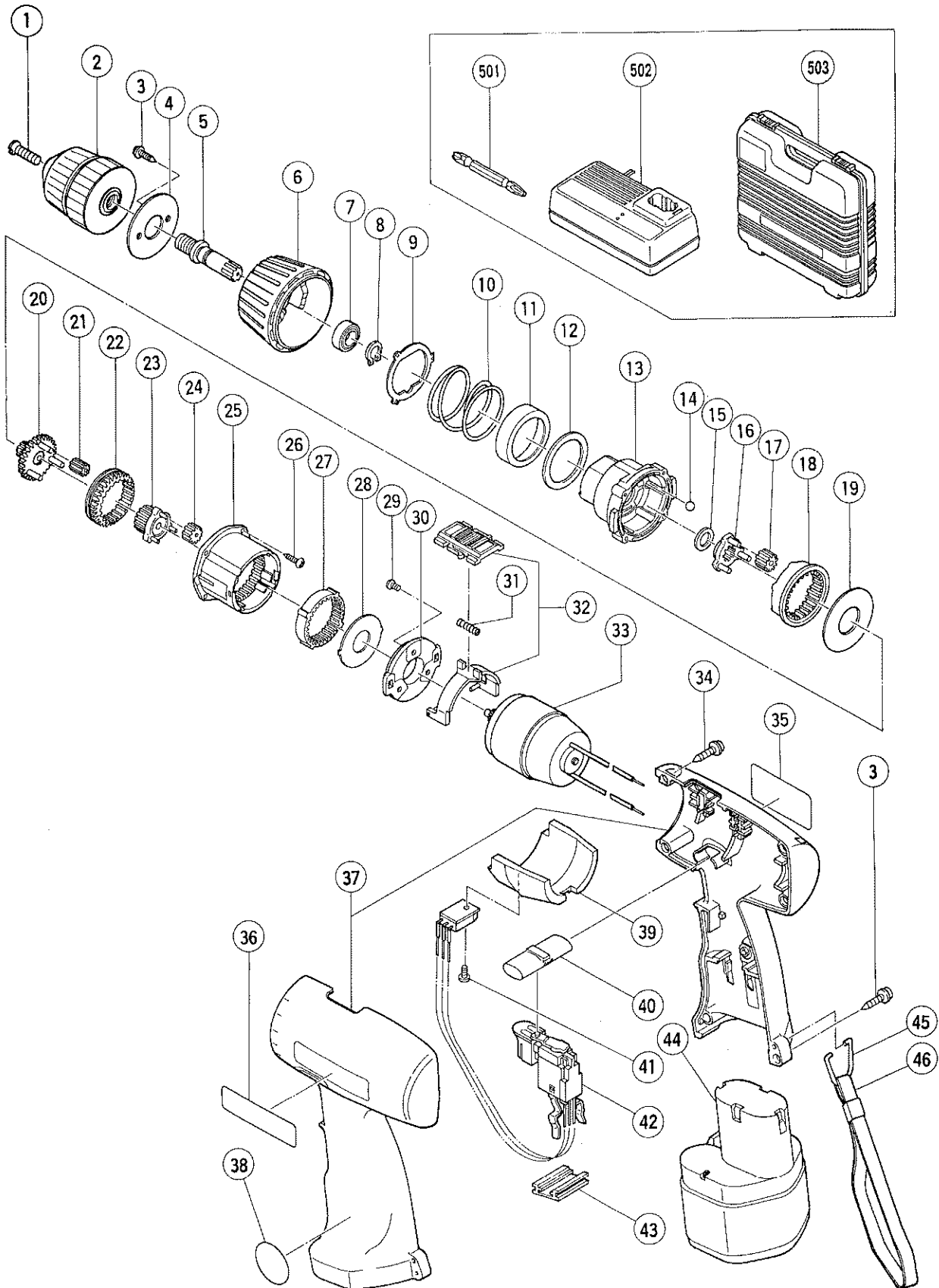
## ELECTRIC TOOL PARTS LIST

■ CORDLESS DRIVER DRILL

1993 · 2 · 20

Model DS 10DV

(E1)



## PARTS

DS 10DV

ITEM NO.	CODE NO.	DESCRIPTION	NO. USED	REMARKS
1	992-077	FLAT HD. SCREW (LEFT HAND) M5X17	1	
2	303-915	DRILL CHUCK 10TLRA - N	1	
3	995-481	TAPPING SCREW (W/WASHER) D3X10	3	
4	306-935	PLATE (C)	1	
5	306-957	SPINDLE	1	
6	306-930	CAP	1	
7	306-958	BALL BEARING 6800ZZ	1	
8	939-540	RETAINING RING FOR D10 SHAFT (10 PCS.)	1	
9	306-934	CLUTCH PLATE	1	
10	306-933	SPRING	1	
11	307-212	SPRING HOLDER	1	
12	306-932	THRUST PLATE	1	
13	306-931	FRONT CASE	1	
14	306-936	STEEL BALL	6	
15	307-214	WASHER	1	
16	306-938	CARRIER	1	
17	306-981	PLANET GEAR (C) SET (3 PCS.)	3	
18	306-937	RING GEAR	1	
19	306-939	PLATE (B)	1	
20	306-940	PINION (C)	1	
21	306-960	PLANET GEAR (B) SET (3 PCS.)	3	
22	306-941	SLIDE RING GEAR	1	
23	306-942	PINION (B)	1	
24	306-959	PLANET GEAR (A1) SET (3 PCS.)	3	
25	306-944	REAR CASE	1	
26	307-215	TAPPING SCREW D3X12	4	
27	306-946	FIRST RING GEAR	1	
28	306-943	PLATE (A)	1	
29	949-202	MACHINE SCREW M3X6 (10 PCS.)	3	
30	306-956	FLANGE	1	
31	306-948	SHIFT SPRING	1	
32	306-962	SHIFT ARM.SHIFT KNOB SET	1	
33	306-967	MOTOR PINION	1	
34	991-672	TAPPING SCREW (W/WASHER) D3X18	6	
35		NAME PLATE	1	
36		HITACHI LABEL	1	
37	307-573	HOUSING (A),(B) SET	1	
38		MARK PLATE	1	
39	306-969	FIN	1	
40	306-951	PUSHING BUTTON	1	
41	306-039	BIND SCREW M3X7	1	
42	306-968	DC - SPEED CONTROL SWITCH	1	
43	991-668	TERMINAL SUPPORT	1	
* 44	307-331	BATTERY EB 9G (W/ENGLISH N.P.)	1	FOR EUROPE
* 44	307-330	BATTERY EB 9G (W/ENGLISH N.P.)	1	FOR ASIA, NZL, AUS
* 44	307-329	BATTERY EB 9G (W/ENGLISH N.P.)	1	FOR USA, CAN
45	306-953	HOOK	1	
46	306-952	STRAP	1	

\*: ALTERNATIVE PARTS

