

Hitachi Power Tools

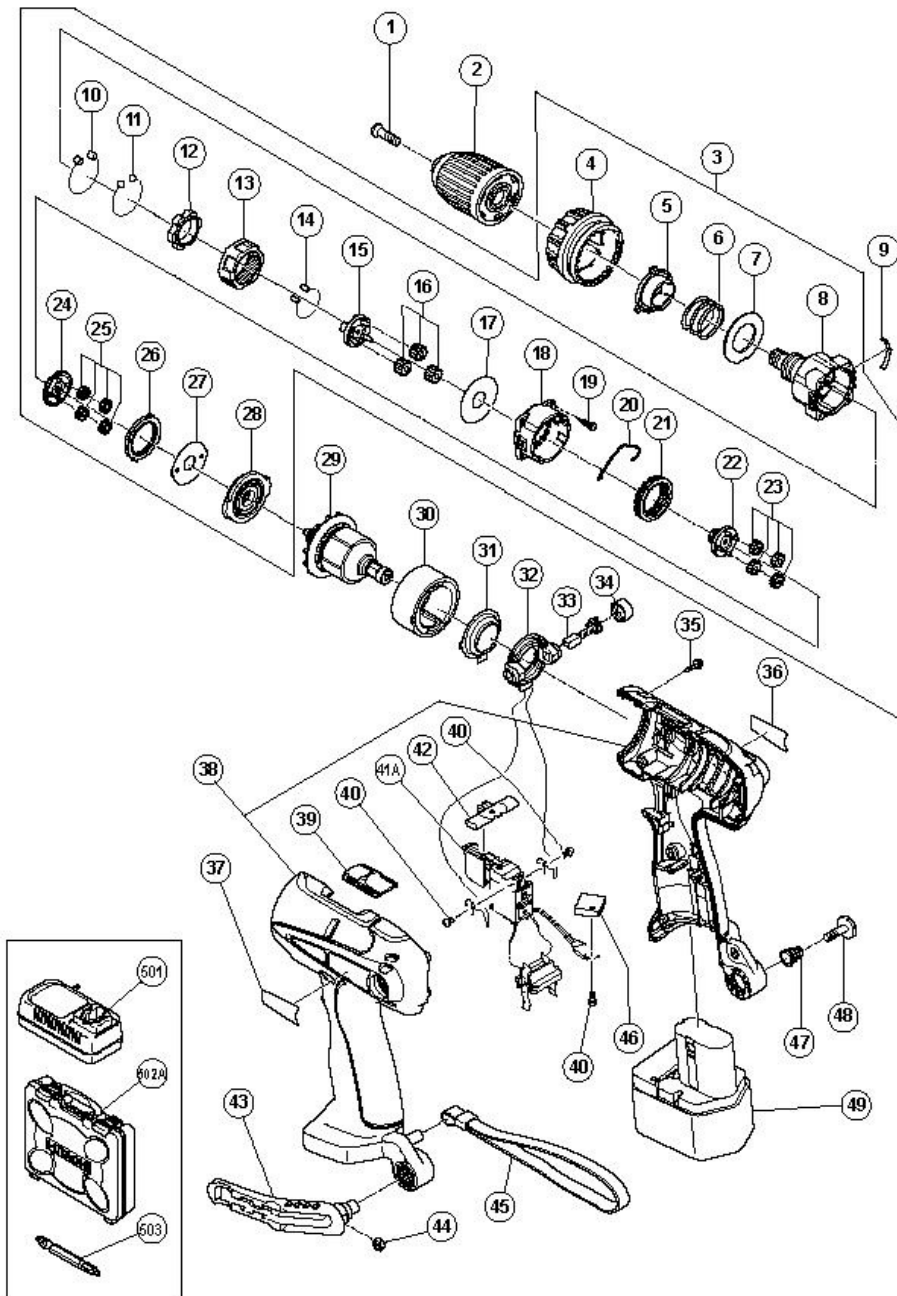
LIST NO. F894

ELECTRIC TOOL PARTS LIST

■ CORDLESS DRIVER DRILL
Model DS 12DM

2005 • 12 • 1

(E1-1)



DS12DM

Pos. Nr.	Art. Nr.	Beschreibung	Stueck	Kommentar	Beschreibung
1	311-959	LINKSGEWINDESCHRAUBE M6X23/DS18DV DS9DVA	1		SPECIAL SCREW (LEFT HAND) M6X23
2	320-684	SCHNELLSPANNBOHRFUTTER 13VLRG-N Neue Art	1		DRILL CHUCK 13VLRG-N (W/O CHUCK WRENCH)
3	322-460	Getriebegehäuse DS12DM	1	"INCLUD.4-8,10-28"	GEAR BOX ASS'Y
4	322-461	Drehkupplung DS9DM	1		CLUTCH DIAL
5	320-758	Mutter DS9DM	1		NUT
6	320-757	Feder DS9DM	1		SPRING
7	320-756	Druckplatte DS9DM	1		THRUST PLATE
8	320-755	Vordergehäuse DS9DM	1		FRONT CASE
9	320-773	Sperrfeder DS9DM	1		CLICK SPRING
10	319-744	ROLLE DS14DVB/DS18DVB/DV12DV DV14DV/DV18	6		ROLLER
11	306-936	STAHLKUGEL D5 DS9DVA/DS10DV/DV2/DS12DVA	6		STEEL BALL D5
12	320-759	Sperrring DS9DM	1		LOCK RING
13	320-761	Ringzahnrad DS9DM	1		RING GEAR
14	312-708	NADELROLLE (C) SATZ (6ST) DS10DV2/DS13DV	6		NEEDLE ROLLER (C) SET (6 PCS.)
15	320-760	Träger DS9DM	1		CARRIER
16	320-782	Planetgetriebe-Set (C) (3Stk) DS9DM	3		PLANET GEAR (C) SET (3 PCS.)
17	320-762	Platte (B) DS9DM	1		PLATE (B)
18	320-763	Hintere Abdeckung DS9DM	1		REAR CASE
					SCREW SET

19	312-712	SCHNEIDSCHRAUBE D3X12 (SATZ 4ST)	4	D3X12 (4 PCS.)
20	320-770	Schiebearm DS9DM	1	SHIFT ARM
21	320-765	Gleitring-Zahnrad DS9DM	1	SLIDE RING GEAR
22	320-764	Ritzel (C) DS9DM	1	PINION (C)
23	320-781	Planetgetriebe-Set (B) (3Stk) DS9DM	4	PLANET GEAR (B) SET (4 PCS.)
24	320-766	Ritzel (B) DS9DM	1	PINION (B)
25	320-780	Planetgetriebe-Set (A) DS9DM	4	PLANET GEAR (A) SET (4 PCS.)
26	320-767	Erstes Ringzahnrad DS9DM	1	FIRST RING GEAR
27	320-768	Platte (A) DS9DM	1	PLATE (A)
28	320-769	Motorflansch DS12DM	1	MOTOR SPACER
29	360-627	Anker DS12DM	1	ARMATURE DC12V
30	322-520	Magnet kpl	1	MAGNET
31	322-521	Staubschutz DS9DM	1	DUST GUARD
32	320-774	Burstenblock	1	BRUSH BLOCK
33	999-054	KOHLLENBURSTEN (PAAR)	2	CARBON BRUSH 5X6X11.5 (1 PAIR)
34	319-918	BURSTENKAPPE WR12DM/WH12DM	2	BRUSH CAP
35	313-687	SCHNEIDSCHRAUBE D3X16 MIT FLANSCH (SCHWA	8	TAPPING SCREW (W/FLANGE) D3X16 (BLACK)
36			1	HITACHI LABEL
37			1	NAME PLATE
38	322-462	Gehäuse A+B Set DS12DM Neue Art -Nr 326	1	HOUSING (A).(B) SET (GREEN)

39	320-772	Druckknopf	1		SHIFT KNOB
40	320-777	Maschinenschraube M3x4	3		MACHINE SCREW (W/SP. WASHER) M3X4
41A	324-827	Schalter DS12DM	1		DC-SPEED CONTROL SWITCH
42	316-166	R/L SCHIEBEKNOPFWH8DH/WH12DH/WR12DH/WR1	1		PUSHING BUTTON
43	320-287	HAKEN WH12DM	1	INCLUD.44	HOOK ASS'Y
44	320-288	V-MUTTER M5 WR12DM/WH12DM	1		V-LOCK NUT M5
45	306-952	HALTESCHLAUFEDN10DY/DS10DV/WR14DH/DS14/D	1		STRAP (BLACK)
46	320-776	Kuhlkorper WH12DAF	1		FIN
47	319-926	HAKENFEDER WR12DM/WH12DM	1		HOOK SPRING
48	319-927	SPEZIALSCHRAUBE M5 WR12DM WH12DM	1		SPECIAL SCREW M5
49	320-387		2		BATTERY EB 1220BL (W/ENGLISH N.P.)
49	320-388		2		BATTERY EB 1230HL (W/ENGLISH N.P.)
49	323-226		2		BATTERY EB 1226HL (W/ENGLISH N.P.)
501			1		CHARGER (MODEL UC 14YFA)
502A	323-230	Plastikkoffer DS9DVB/DS12DVB/DS14DVB/DS9	1		CASE
503	983-006	+BIT PHIL NR 2 L=65MM (2-SEITIG) ALTE AR	1		+ DRIVER BIT NO.2 65L