

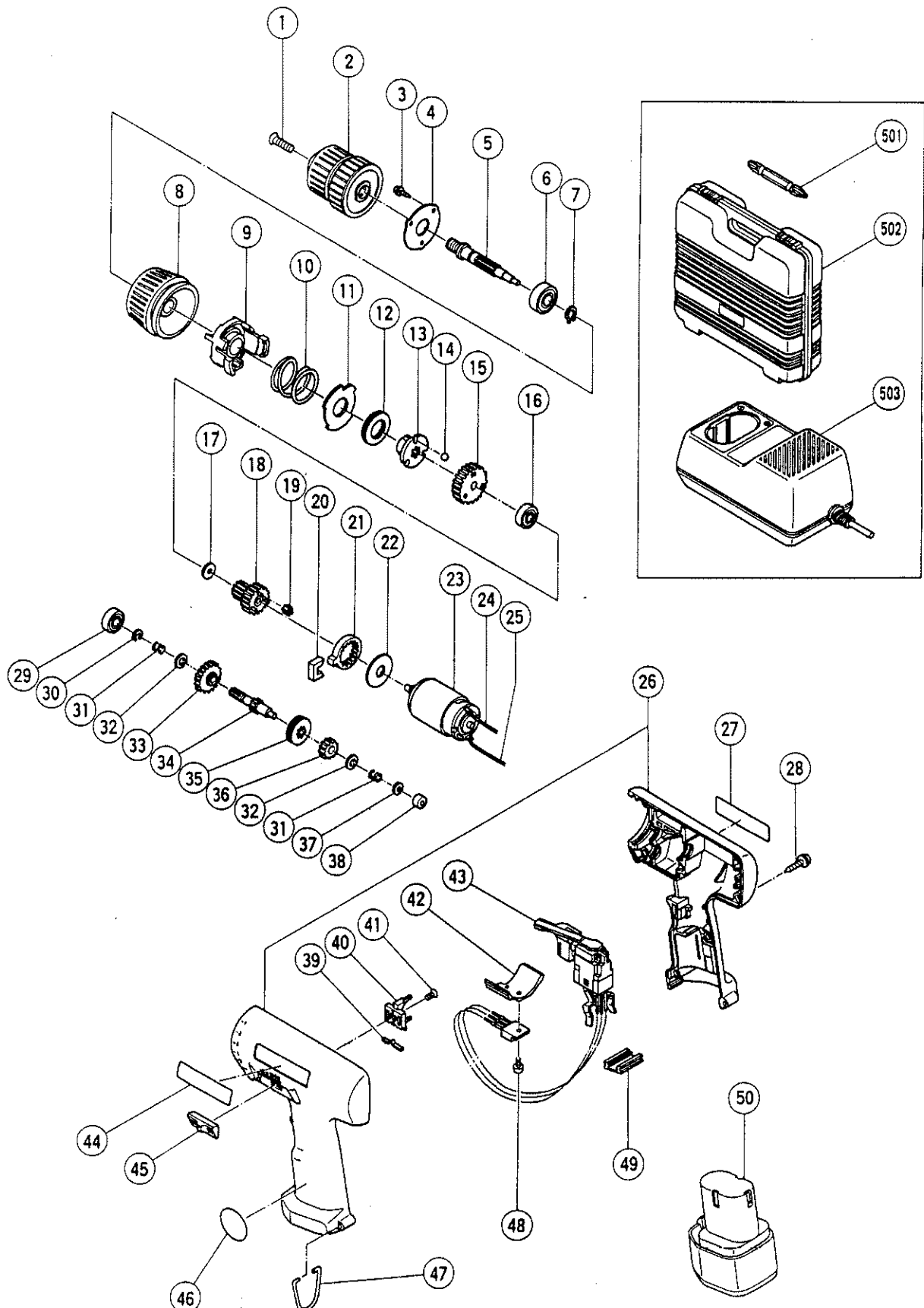
HITACHI

LIST NO. E889

ELECTRIC TOOL PARTS LIST

■ CORDLESS DRIVER DRILL
Model DS 7DV

1995 · 4 · 20
(E1)



PARTS

DS 7DV

| ITEM NO. | CODE NO. | DESCRIPTION | NO. USED | REMARKS |
|----------|----------|---|----------|---------|
| 1 | 992-077 | FLAT HD. SCREW (LEFT HAND) M5X17 | 1 | |
| 2 | 303-915 | DRILL CHUCK 10TLRA - N (W/O CHUCK HANDLE) | 1 | |
| 3 | 984-327 | TAPPING SCREW (W/SP. WASHER) D3X8 | 3 | |
| 4 | 991-683 | PLATE | 1 | |
| 5 | 301-741 | SPINDLE | 1 | |
| 6 | 600-0VV | BALL BEARING 6000VVCMP2S | 1 | |
| 7 | 939-540 | RETAINING RING FOR D10 SHAFT (10 PCS.) | 1 | |
| 8 | 306-034 | CAP | 1 | |
| 9 | 303-722 | SPRING HOLDER | 1 | |
| 10 | 306-201 | SPRING | 1 | |
| 11 | 301-745 | THRUST PLATE | 1 | |
| 12 | 301-744 | THRUST NEEDLE BEARING | 1 | |
| 13 | 301-743 | BALL HOLDER | 1 | |
| 14 | 959-149 | STEEL BALL D4.76 (10 PCS.) | 3 | |
| 15 | 301-742 | FINAL GEAR | 1 | |
| 16 | 628-VVM | BALL BEARING 628VVMC2ERPS2S | 1 | |
| 17 | 301-730 | WASHER | 1 | |
| 18 | 306-032 | GEAR HOLDER | 1 | |
| 19 | 301-725 | IDLE GEAR (3 PCS.) | 3 | |
| 20 | 301-978 | DAMPER | 1 | |
| 21 | 301-728 | RING GEAR | 1 | |
| 22 | 301-727 | WASHER | 1 | |
| 23 | 306-036 | MOTOR | 1 | |
| 24 | 306-040 | INTERNAL WIRE (B) (RED) | 1 | |
| 25 | 306-041 | INTERNAL WIRE (B) (BLACK) | 1 | |
| 26 | 306-202 | HOUSING (A).(B) SET | 1 | |
| 27 | | NAME PLATE | 1 | |
| 28 | 991-672 | TAPPING SCREW (W/WASHER) D3X16 | 6 | |
| 29 | 607-MC3 | BALL BEARING 607MC3 | 1 | |
| 30 | 673-489 | RETAINING RING (E - TYPE) FOR D5 SHAFT | 1 | |
| 31 | 301-738 | SPRING (A) | 2 | |
| 32 | 301-739 | WASHER | 2 | |
| 33 | 301-735 | LOW SPEED GEAR | 1 | |
| 34 | 301-733 | SECOND PINION | 1 | |
| 35 | 301-736 | CLUTCH PLATE | 1 | |
| 36 | 301-734 | HIGH SPEED GEAR | 1 | |
| 37 | 301-737 | WASHER | 1 | |
| 38 | 994-677 | METAL D4X6 | 1 | |
| 39 | 980-829 | SHIFT SPRING | 1 | |
| 40 | 301-749 | SHIFT ARM | 1 | |
| 41 | 949-321 | FLAT HD. SCREW M4X8 (10 PCS.) | 1 | |
| 42 | 992-081 | FIN | 1 | |
| 43 | 306-038 | DC - SPEED CONTROL SWITCH | 1 | |
| 44 | | HITACHI LABEL | 1 | |
| 45 | 306-035 | SHIFT KNOB | 1 | |
| 46 | 987-135 | MARK PLATE | 1 | |
| 47 | 980-838 | HOOK | 1 | |
| 48 | 306-039 | BIND SCREW M3X7 | 1 | |
| 49 | 991-666 | TERMINAL SUPPORT | 1 | |
| 50 | 306-133 | BATTERY EB 7 (W/ENGLISH N.P.) | 1 | |
| 50 | 306-132 | BATTERY EB 7 (W/ENGLISH N.P.) | 1 | FOR USA |

*: ALTERNATIVE PARTS

