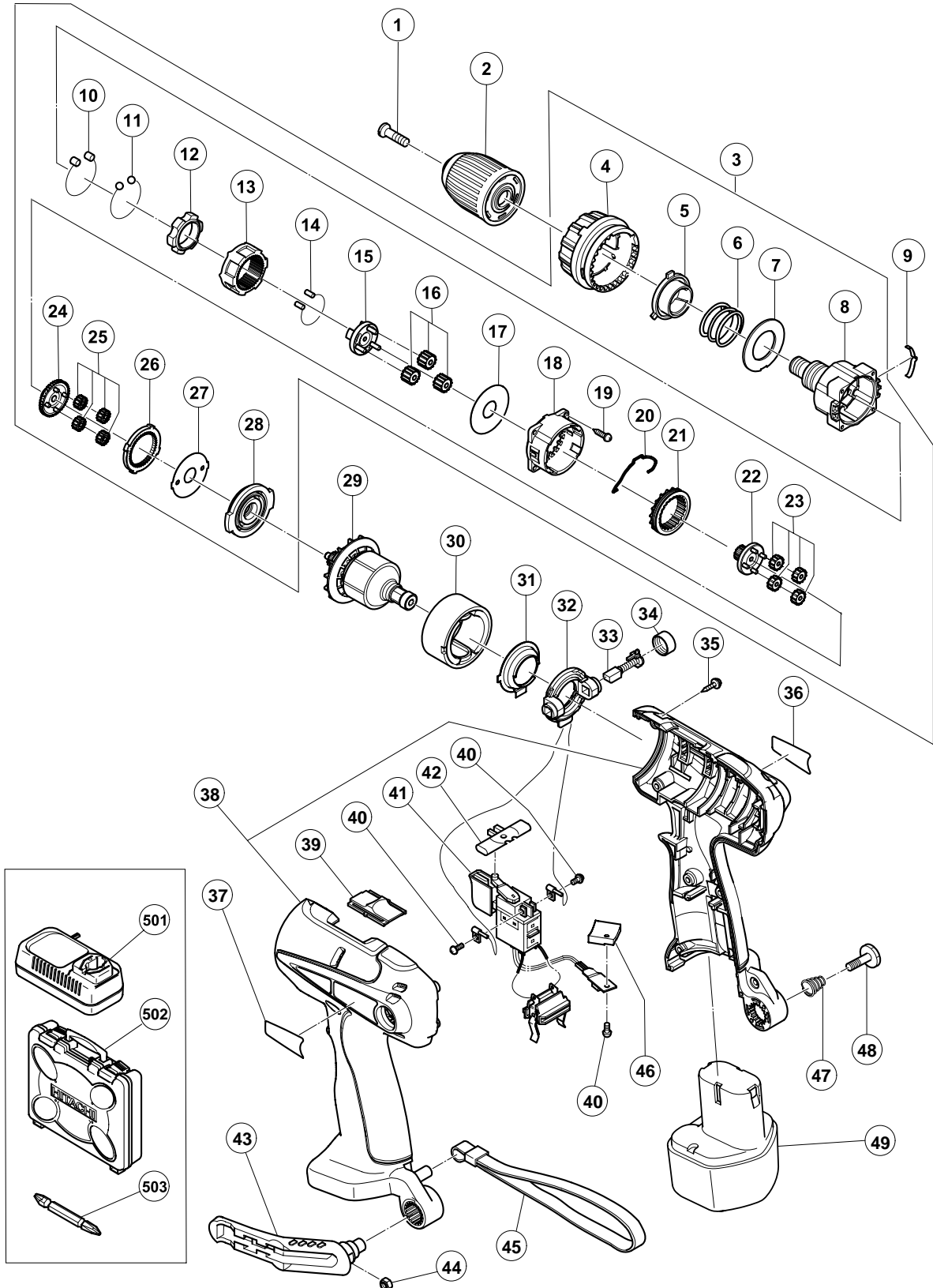


## ELECTRIC TOOL PARTS LIST

■ CORDLESS DRIVER DRILL  
Model DS 9DM

2004 • 3 • 5  
(E1)



**PARTS**

DS 9DM

ITEM NO.	CODE NO.	DESCRIPTION	NO. USED	REMARKS
1	311-959	SPECIAL SCREW (LEFT HAND) M6X23	1	
2	320-683	DRILL CHUCK 10VLRE-N (W/O CHUCK WRENCH)	1	
3	322-460	GEAR BOX ASS'Y	1	INCLUD. 4-8, 10-28
4	322-461	CLUTCH DIAL	1	
5	320-758	NUT	1	
6	320-757	SPRING	1	
7	320-756	THRUST PLATE	1	
8	320-755	FRONT CASE	1	
9	320-773	CLICK SPRING	1	
10	319-744	ROLLER	6	
11	306-936	STEEL BALL D5	6	
12	320-759	LOCK RING	1	
13	320-761	RING GEAR	1	
14	312-708	NEEDLE ROLLER (C) SET (6 PCS.)	6	
15	320-760	CARRIER	1	
16	320-782	PLANET GEAR (C) SET (3 PCS.)	3	
17	320-762	PLATE (B)	1	
18	320-763	REAR CASE	1	
19	312-712	SCREW SET D3X12 (4 PCS.)	4	
20	320-770	SHIFT ARM	1	
21	320-765	SLIDE RING GEAR	1	
22	320-764	PINION (C)	1	
23	320-781	PLANET GEAR (B) SET (4 PCS.)	4	
24	320-766	PINION (B)	1	
25	320-780	PLANET GEAR (A) SET (4 PCS.)	4	
26	320-767	FIRST RING GEAR	1	
27	320-768	PLATE (A)	1	
28	320-769	MOTOR SPACER	1	
29	360-633	ARMATURE DC 9.6V	1	
30	322-520	MAGNET	1	
31	322-521	DUST GUARD	1	
32	320-774	BRUSH BLOCK	1	
33	999-054	CARBON BRUSH 5X6X11.5 (1 PAIR)	2	
34	319-918	BRUSH CAP	2	
35	313-687	TAPPING SCREW (W/FLANGE) D3X16 (BLACK)	8	
36		HITACHI LABEL	1	
37		NAME PLATE	1	
38	322-608	HOUSING (A). (B) SET	1	
39	320-772	SHIFT KNOB	1	
40	320-777	MACHINE SCREW (W/SP. WASHER) M3X4	3	
41	320-775	DC-SPEED CONTROL SWITCH	1	
42	316-166	PUSHING BUTTON	1	
43	320-287	HOOK ASS'Y	1	INCLUD. 44
44	320-288	V-LOCK NUT M5	1	
45	306-952	STRAP (BLACK)	1	
46	320-776	FIN	1	
47	319-926	HOOK SPRING	1	
48	319-927	SPECIAL SCREW M5	1	
* 49	318-368	BATTERY EB 930H (W/ENGLISH N.P.)	2	
* 49	310-377	BATTERY EB 9B (W/ENGLISH N.P.)	2	



