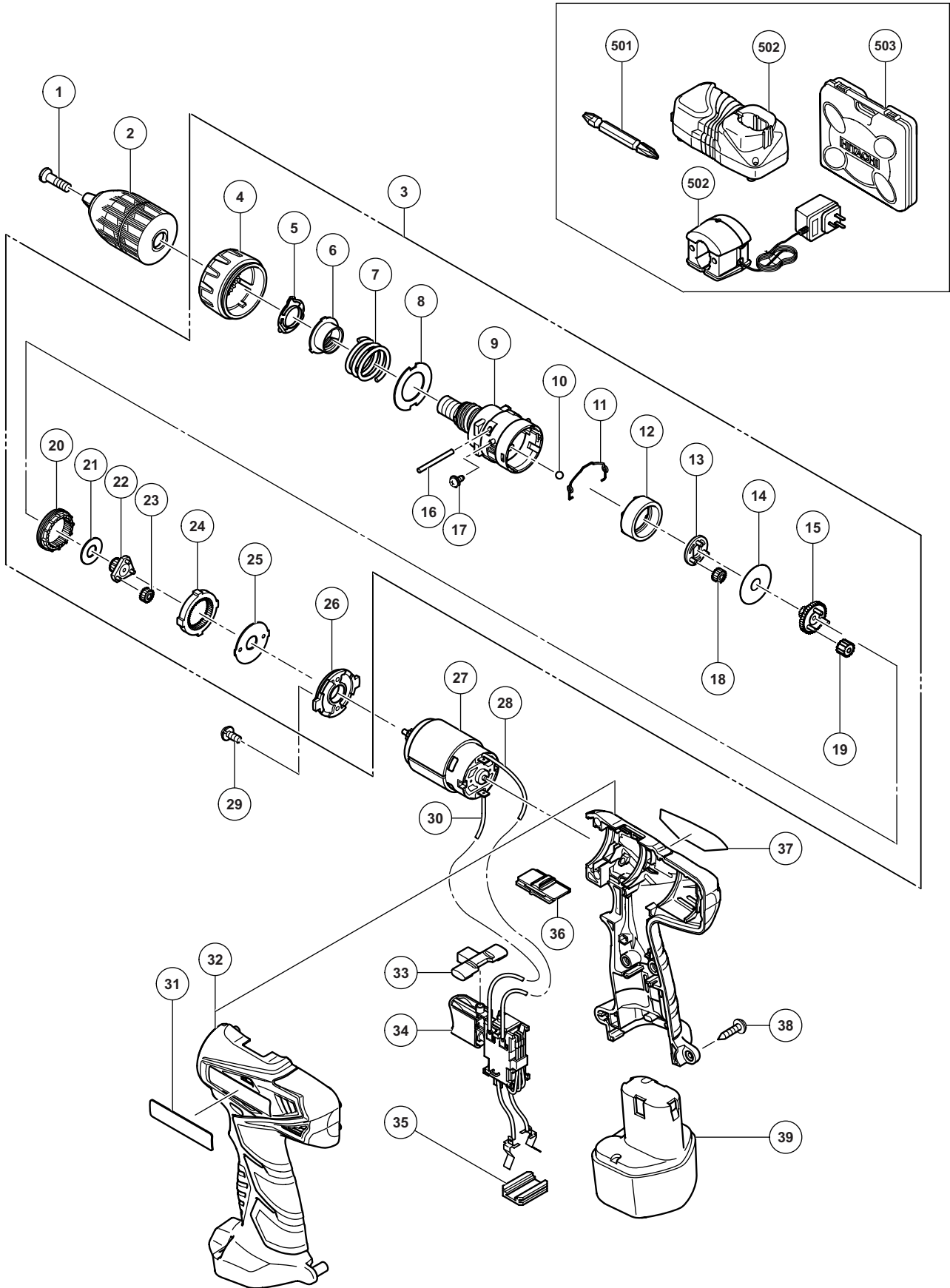


ELECTRIC TOOL PARTS LIST

CORDLESS DRIVER DRILL
Model DS 9DVC

2010·8·30
(E1)



PARTS

DS 9DVC

ITEM NO.	CODE NO.	DESCRIPTION	NO. USED	REMARKS
1	325-616	SPECIAL SCREW (LEFT HAND) (B) M5 X 25	1	
2	331-602	DRILL CHUCK 10MM (W/O CHUCK WRENCH)	1	
3	331-324	GEAR BOX ASS'Y	1	INCLUD.4-26
4	331-587	CLUTCH DIAL	1	
5	329-579	CLICK SPRING	1	
6	331-582	NUT	1	
7	331-583	SPRING	1	
8	331-584	THRUST PLATE	1	
9	331-585	GEAR CASE	1	
10	306-936	STEEL BALL D5	6	
11	331-586	SHIFT ARM	1	
12	331-592	RING GEAR	1	
13	331-589	CARRIER	1	
14	331-593	WASHER (B)	1	
15	331-590	PINION (C)	1	
16	331-588	NEEDLE	2	
17	330-579	SCREW SET D2 X 3.5 (2 PCS.)	2	
18	331-591	PLANET GEAR (C) SET (3 PCS.)	3	
19	331-595	PLANET GEAR (B) SET (3 PCS.)	3	
20	331-594	SLIDE RING GEAR	1	
21	331-599	WASHER (C)	1	
22	331-596	PINION (B)	1	
23	331-597	PLANET GEAR (A) SET (3 PCS.)	3	
24	331-598	FIRST RING GEAR	1	
25	331-600	WASHER (A)	1	
26	331-601	MOTOR SPACER	1	
27	333-129	MOTOR	1	
28	306-040	INTERNAL WIRE (B) (RED)	1	
29	949-203	MACHINE SCREW M3 X 8 (10 PCS.)	2	
30	324-121	INTERNAL WIRE (B) 90L (BLACK)	1	
31		HITACHI LABEL	1	
32	333-127	HOUSING (A). (B) SET	1	
33	329-181	PUSHING BUTTON	1	
34	332-038	SWITCH TERMINAL SET	1	
35	315-141	TERMINAL SUPPORT (A)	1	
36	331-332	SHIFT KNOB	1	
37		NAME PLATE	1	
38	313-687	TAPPING SCREW (W/FLANGE) D3 X 16 (BLACK)	8	
39	332-086	BATTERY BCC 912 (EUROPE, AUS, NZL)	2	

