

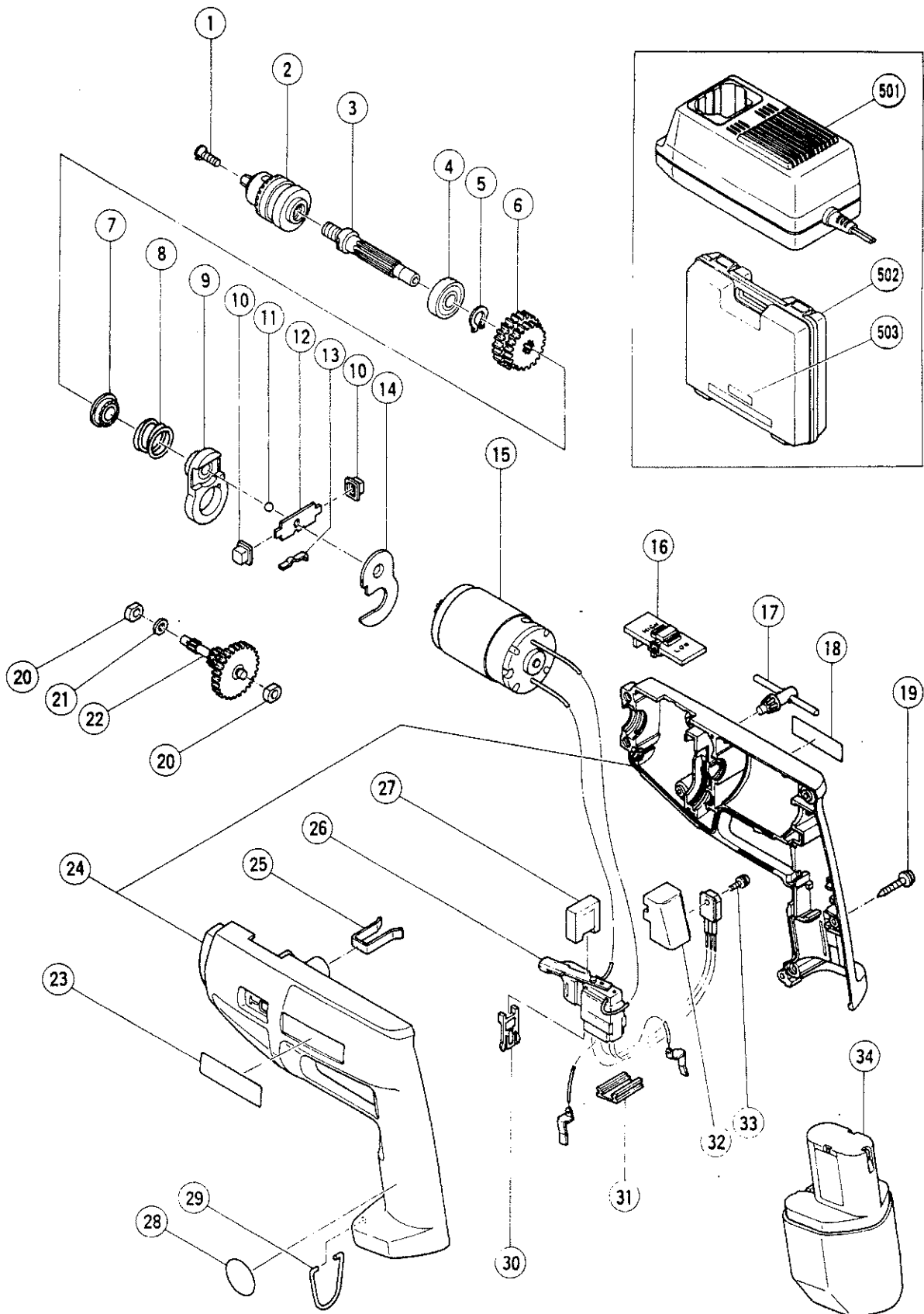
ELECTRIC TOOL PARTS LIST

■ CORDLESS IMPACT DRILL

1991・2・10

Model DV 10DV

(E1)



PARTS

DV 10DV

ITEM NO.	CODE NO.	DESCRIPTION	NO. USED	REMARKS	
*	1	992-077	FLAT HD. SCREW (LEFT HAND) M5X17	1	
*	1		FLAT HD. SCREW (LEFT HAND) M5X15	1	FOR GBR
	2	950-292	DRILL CHUCK 10TLRA	1	INCLUD.17
	3	300-021	SPINDLE	1	
	4	600-1DD	BALL BEARING 6001DDUCMPS2S	1	
	5	939-542	RETAINING RING FOR D12 SHAFT (10 PCS.)	1	
	6	982-444	FINAL GEAR	1	
	7	300-022	RATCHET	1	
	8	300-023	SPRING (A)	1	
	9	987-074	HOLDER	1	
	10	963-225	CHANGE KNOB	2	
	11	959-149	STEEL BALL D4.76 (10 PCS.)	1	
	12	963-224	CHANGE PLATE	1	
	13	963-228	SPRING (A)	1	
	14	987-075	PLATE	1	
	15	305-081	MOTOR	1	
	16	300-025	SHIFT KNOB	1	
	17	980-057	CHUCK WRENCH 10TL2	1	
	18		NAME PLATE	1	
	19	302-086	TAPPING SCREW (W/FLANGE) D4X20 (BLACK)	7	
	20	997-752	METAL	2	
	21	949-425	WASHER M6 (10 PCS.)	1	
	22	982-443	SECOND PINION	1	
	23		HITACHI LABEL	1	
	24	300-026	HOUSING (A),(B) SET	1	
	25	980-837	KEY HOLDER	1	
	26	303-788	SWITCH (1P PLUG IN TYPE) W/O LOCK	1	
	27	980-834	SEAL	1	
	28	987-135	MARK PLATE	1	
	29	980-838	HOOK	1	
	30	980-833	SWITCH LOCK	1	
	31	991-666	TERMINAL SUPPORT	1	
	32	305-072	FIN	1	
	33	993-983	MACHINE SCREW (W/WASHERS) M3X12	1	
*	34	300-002	BATTERY EB 12 (W/ENGLISH N.P.)	1	
*	34	300-004	BATTERY EB 12 (W/ENGLISH N.P.)	1	FOR USA,CAN
*	34	300-001	BATTERY EB 12 (W/GERMAN N.P.)	1	FOR FRG,AUT
*	34	300-402	BATTERY EB 12 (W/GERMAN N.P.)	1	FOR SUI
*	34	300-003	BATTERY EB 12 (W/FRENCH N.P.)	1	FOR FRA
*	34	302-881	BATTERY EB 12 (W/ENGLISH N.P.)	1	FOR SWE
*	34	302-758	BATTERY EB 12 (W/ENGLISH N.P.)	1	FOR HOL,DEN
*	34	302-973	BATTERY EB 12 (W/GERMAN N.P.)	1	FOR BEL

*: ALTERNATIVE PARTS

02 - 91

