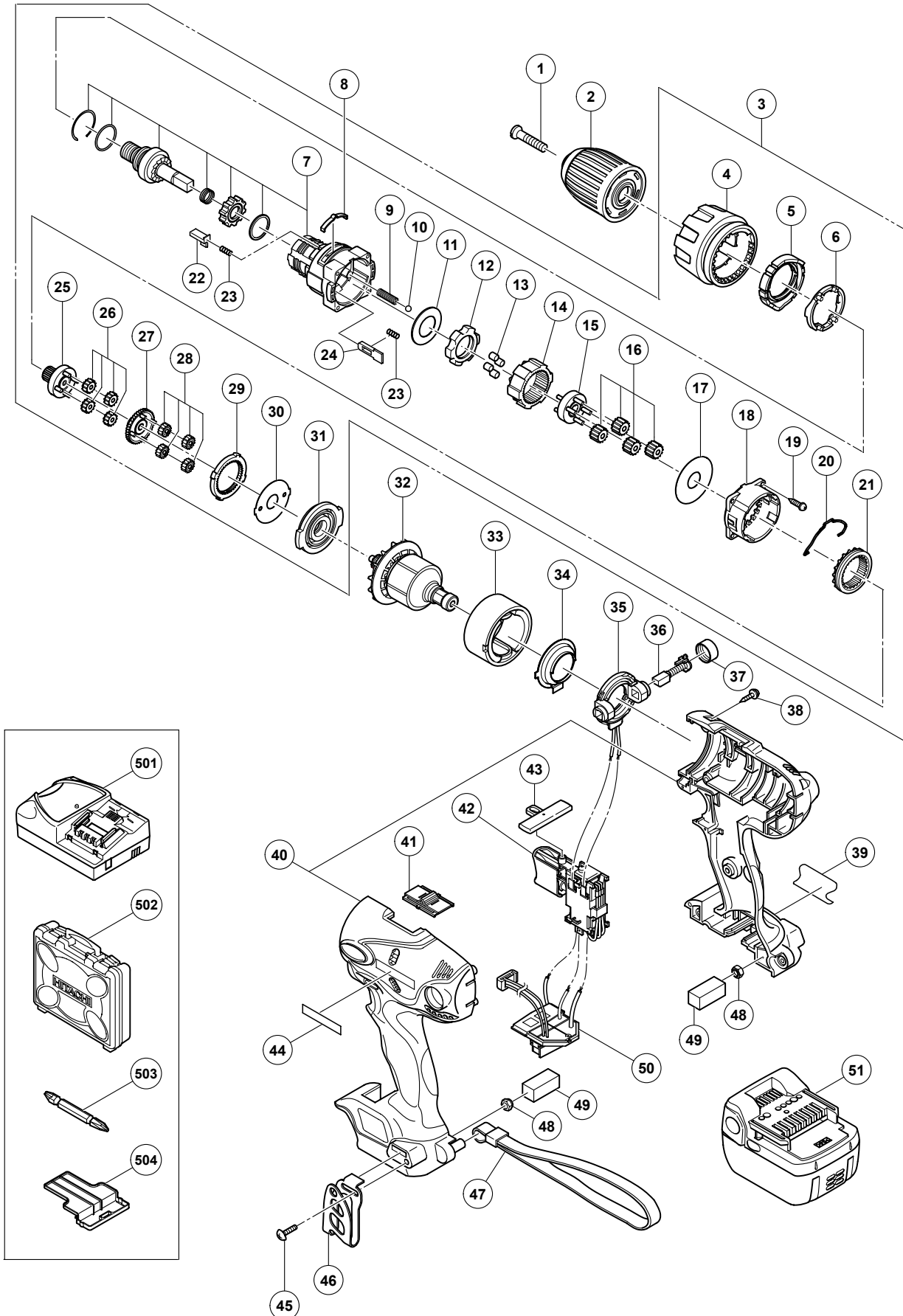


ELECTRIC TOOL PARTS LIST

CORDLESS IMPACT DRIVER DRILL
Model DV 14DSL

2008·4·4
(E1)



PARTS

DV 14DSL

ITEM NO.	CODE NO.	DESCRIPTION	NO. USED	REMARKS
1	311-959	SPECIAL SCREW (LEFT HAND) M6X23	1	
2	320-684	DRILL CHUCK 13VLRG-N (W/O CHUCK WRENCH)	1	
3	328-712	GEAR BOX ASS'Y	1	INCLUD. 4-7, 9-31
4	328-728	CLUTCH DIAL	1	
5	328-716	NUT	1	
6	328-715	PLATE (A)	1	
7	328-713	FRONT CASE	1	
8	320-773	CLICK SPRING	1	
9	327-143	SPRING (A)	4	
10	306-936	STEEL BALL D5	4	
11	328-717	WASHER (B)	1	
12	328-718	LOCK RING	1	
13	319-744	ROLLER	4	
14	328-721	RING GEAR	1	
15	328-720	CARRIER	1	
16	328-722	PLANET GEAR (C) SET (4 PCS.)	4	
17	320-762	PLATE (B)	1	
18	320-763	REAR CASE	1	
19	320-087	SCREW SET M3X12 (4 PCS.)	4	
20	329-088	SHIFT ARM (A)	1	
21	330-059	SLIDE RING GEAR	1	
22	329-456	SLIP BLOCK	2	
23	327-133	STOPPER SPRING	4	
24	328-730	STOPPER	2	
25	328-724	PINION (C)	1	
26	320-781	PLANET GEAR (B) SET (4 PCS.)	4	
27	328-725	PINION (B)	1	
28	328-727	PLANET GEAR (A) SET (4 PCS.)	4	
29	328-726	FIRST RING GEAR	1	
30	320-768	PLATE (A)	1	
31	320-769	MOTOR SPACER	1	
32	360-820	ARMATURE PINION SET	1	
33	322-520	MAGNET	1	
34	322-521	DUST GUARD	1	
35	322-993	BRUSH BLOCK	1	
36	999-054	CARBON BRUSH 5X6X11.5 (1 PAIR)	2	
37	319-918	BRUSH CAP	2	
38	313-687	TAPPING SCREW (W/FLANGE) D3X16 (BLACK)	8	
39		NAME PLATE	1	
40	329-084	HOUSING (A). (B) SET	1	
41	328-731	SHIFT KNOB	1	
42	329-173	DC-SPEED CONTROL SWITCH	1	
43	329-454	PUSHING BUTTON (A)	1	
44		HITACHI LABEL	1	
45	327-001	M4 TRUSS HD. SCREW (BLACK)	1	
46	326-790	HOOK (A)	1	
47	306-952	STRAP (BLACK)	1	
48	327-002	LOCK NUT M4 (BLACK)	2	
49	327-004	PACKING	2	
50	329-896	CONTROLLER TERMINAL SET	1	

