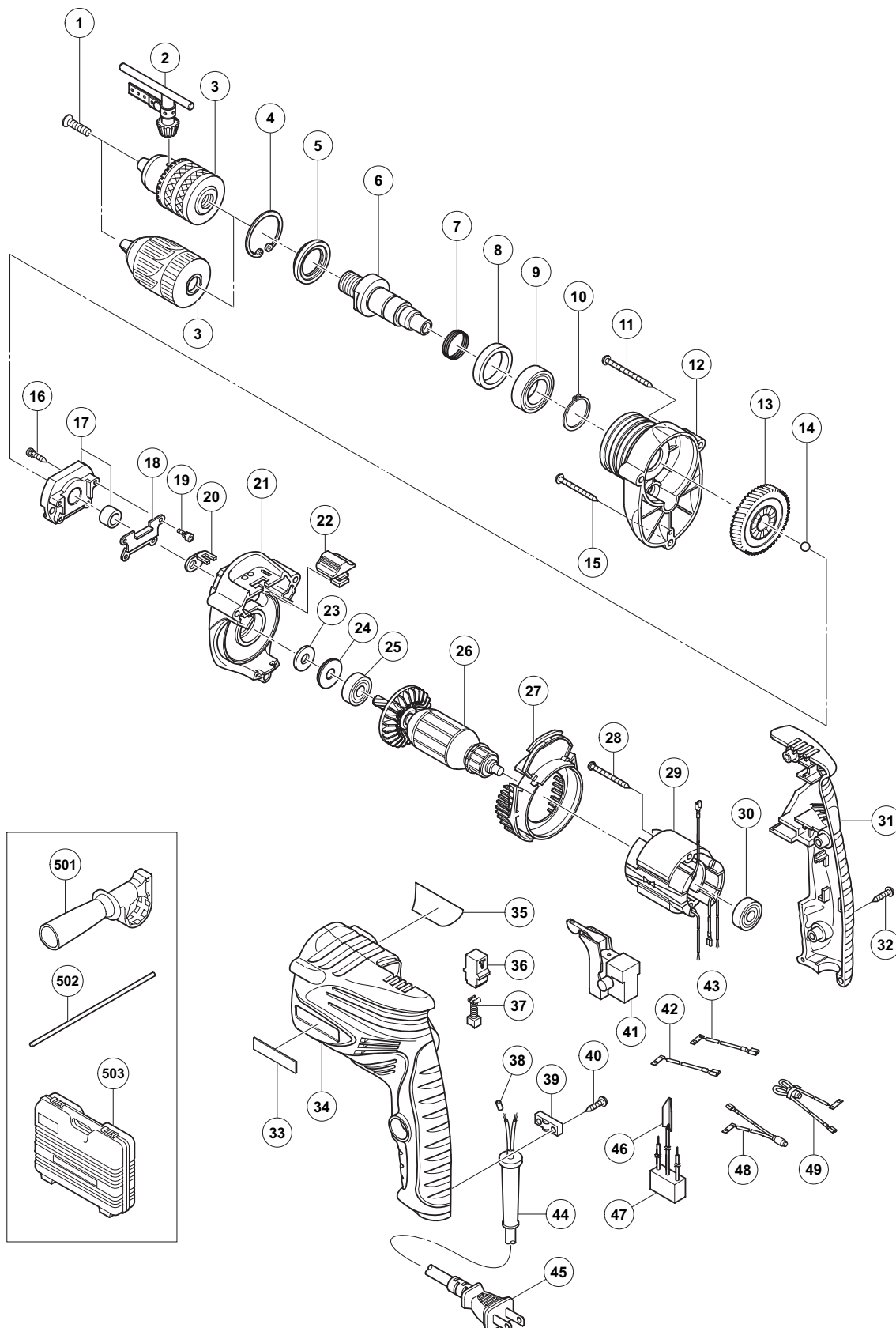


ELECTRIC TOOL PARTS LIST

IMPACT DRILL Model DV 16VSS

2009·5·29
(E1)



PARTS

DV 16VSS

ITEM NO.	CODE NO.	DESCRIPTION	NO. USED	REMARKS	
1	995-344	FLAT HD. SCREW (A) (LEFT HAND) M6 X 25	1		
*	2	987-576	CHUCK WRENCH FOR 13VLB-D,13VLR-D	1	
*	3		DRILL CHUCK 13VLRC-D	1	INCLUD. 2 SUPPLIED WITH ITEM NO. 601
*	3	322-625	DRILL CHUCK 13VLRJ-N (W/O CHUCK WRENCH)	1	
	4	948-001	RETAINING RING FOR D32 HOLE	1	
	5	971-654	DUST SEAL	1	
	6	331-522	SPINDLE	1	
	7	322-514	SPRING	1	
	8	330-682	DISTANCE RING	1	
	9	600-2VV	BALL BEARING 6002VVCMP2L	1	
	10	939-544	RETAINING RING FOR D15 SHAFT (10 PCS.)	1	
	11	322-657	TAPPING SCREW (W/FLANGE) D4 X 60 (BLACK)	2	
	12	330-726	GEAR COVER	1	
	13	330-683	GEAR	1	
	14	959-150	STEEL BALL D6.35 (10 PCS.)	1	
	15	301-815	TAPPING SCREW (W/FLANGE) D4 X 45	1	
	16	330-680	TAPPING SCREW (W/SP. WASHER) D4 X 20	2	
	17	330-677	RATCHET	1	
	18	330-678	BUSHING	1	
	19	330-679	BOLT M3	4	
	20	330-676	CHANGE PLATE	1	
	21	330-675	INNER COVER	1	
	22	322-510	CHANGE LEVER	1	
	23	323-096	FELT PACKING	1	
	24	330-674	WASHER (A)	1	
	25	608-DDM	BALL BEARING 608DDC2PS2L	1	
*	26	360-863C	ARMATURE 110V	1	
*	26	360-863U	ARMATURE ASS'Y 120V	1	INCLUD. 25, 30
*	26	360-863E	ARMATURE 220V	1	
*	26	360-863F	ARMATURE 230V-240V	1	
	27	330-673	FAN GUIDE	1	
	28	950-515	TAPPING SCREW D4 X 50	2	
*	29	340-742C	STATOR 110V	1	
*	29	340-742D	STATOR 120V	1	
*	29	340-742F	STATOR 220V-240V	1	
	30	608-VVM	BALL BEARING 608VVC2PS2L	1	
	31	330-715	HANDLE COVER	1	
	32	301-653	TAPPING SCREW (W/FLANGE) D4 X 20 (BLACK)	3	
	33	330-719	HITACHI LABEL	1	
	34	330-714	HOUSING	1	
	35		NAME PLATE	1	
	36	955-203	BRUSH HOLDER	2	
	37	999-041	CARBON BRUSH (1 PAIR)	2	
*	38	981-373	TUBE (D)	2	FOR CORD
	39	937-631	CORD CLIP	1	
	40	984-750	TAPPING SCREW (W/FLANGE) D4 X 16	2	
*	41	330-716	SWITCH	1	
*	41	330-684	SWITCH	1	FOR GBR (110V), USA, CAN, MEX, VEN, TPE
*	42	330-717	INTERNAL WIRE (BROWN)	1	FOR USA, CAN, VEN, TPE, SYR, INA,
					HKG, KUW, IND, THA, SIN

