

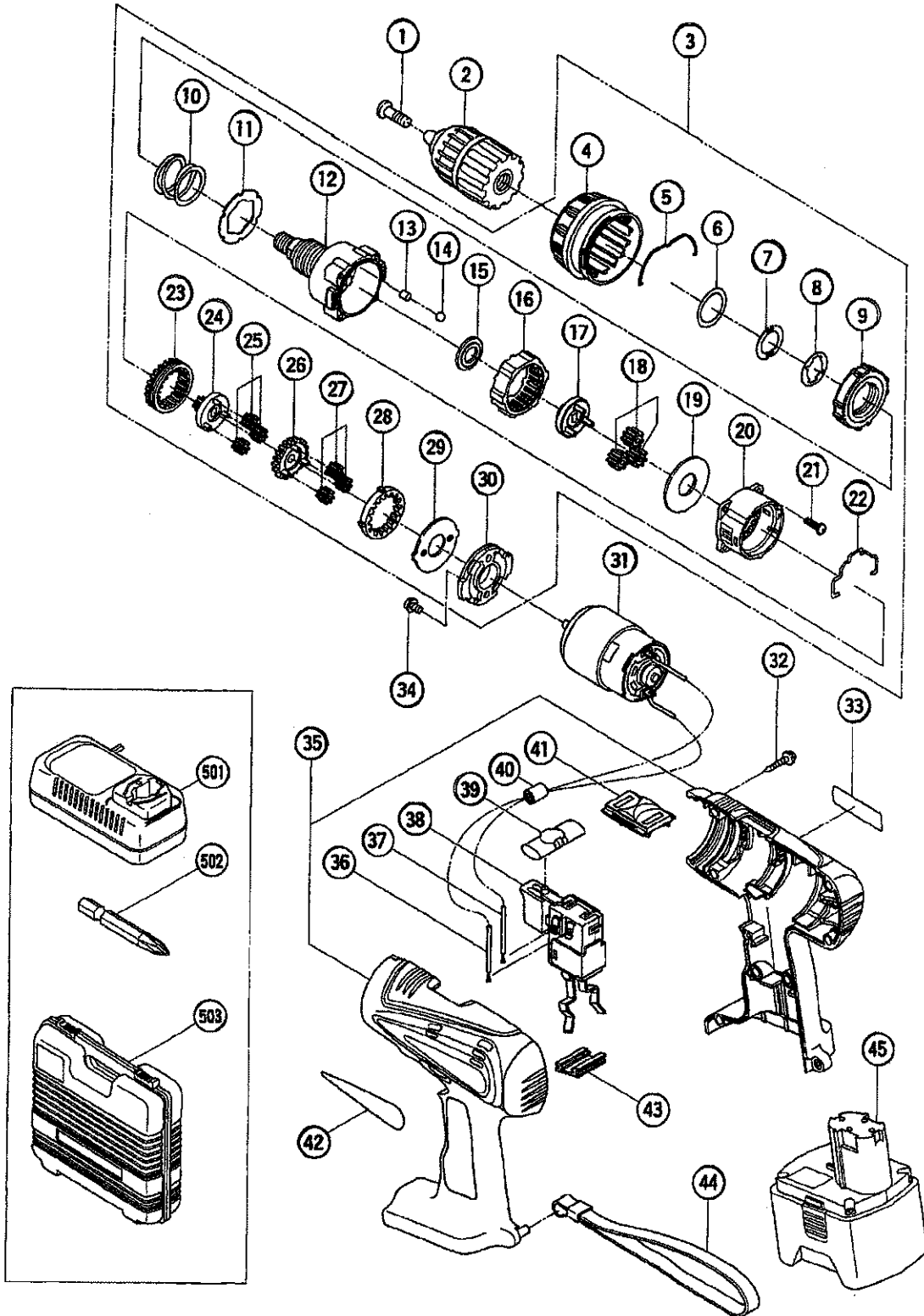
## ELECTRIC TOOL PARTS LIST

■ CORDLESS IMPACT DRILL

2001·5·10

Model DV 18DV

(E1)



## PARTS

DV 18DV

ITEM NO.	CODE NO.	DESCRIPTION	NO. USED	REMARKS
1	311-959	SPECIAL SCREW (LEFT HAND) M6X23	1	
2	319-766	DRILL CHUCK 13VLR-F-N (W/O CHUCK WRENCH)	1	
3	320-093	GEAR BOX ASS'Y	1	INCLUD.4-30
4	319-963	CAP	1	
5	319-754	CLICK SPRING	1	
6	320-088	O-RING	1	
7	320-089	LOCK WASHER	1	
8	320-090	SWITCH PLATE	1	
9	319-743	NUT	1	
10	319-742	SPRING	1	
11	319-741	THRUST WASHER	1	
12	320-092	FRONT CASE	1	
13	319-744	ROLLER	6	
14	306-936	STEEL BALL D5	6	
15	319-746	SPACER WASHER	1	
16	319-745	RING GEAR	1	
17	319-747	CARRIER	1	
18	319-769	PLANET GEAR (C) SET (3 PCS.)	3	
19	312-704	WASHER (A)	1	
20	319-748	REAR CASE	1	
21	320-087	SCREW SET M3X12 (4 PCS.)	4	
22	319-753	SHIFT ARM	1	
23	319-750	SLIDE RING GEAR	1	
24	319-749	PINION (C)	1	
25	319-768	PLANET GEAR (B) SET (3 PCS.)	3	
26	319-751	PINION (B)	1	
27	319-767	PLANET GEAR (A) SET (3 PCS.)	3	
28	319-752	FIRST RING GEAR	1	
29	312-716	WASHER (B)	1	
30	316-955	MOTOR SPACER	1	
31	319-756	MOTOR	1	
32	313-687	TAPPING SCREW (W/FLANGE) D3X16 (BLACK)	8	
33		MANE PLATE	1	
34	317-333	MACHINE SCREW (W/SP. WASHER) M4X6	2	
35	319-761	HOUSING (A).(B) SET	1	
* 36	319-759	INTERNAL WIRE (BLACK) 100L	1	
* 36	320-159	INTERNAL WIRE (BLACK) 160L	1	FOR GBR,FRG,NOR,SWE,DEN
37	319-758	INTERNAL WIRE (RED) 130L	1	
38	320-091	DC-SPEED CONTROL SWITCH	1	
39	319-760	PUSHING BUTTON	1	
* 40	318-247	FERRITE CORE	1	FOR GBR,FRG,NOR,SWE,DEN
41	318-234	SHIFT KNOB	1	
42		HITACHI LABEL	1	
43	315-141	TERMINAL SUPPORT (A)	1	
44	306-952	STRAP (BLACK)	1	
* 45	319-762	BATTERY EB 1820 (W/ENGLISH N.P)	2	
* 45	319-763	BATTERY EB 1820 (W/ENGLISH N.P)	2	FOR USA,CAN
* 45	319-764	BATTERY EB 1820 (W/ENGLISH N.P)	2	FOR GBR,FRG
* 45	319-765	BATTERY EB 1830H (W/ENGLISH N.P)	2	

**STANDARD ACCESSORIES**

DV 18DV

ITEM NO.	CODE NO.	DESCRIPTION	NO. USED	REMARKS
501		CHARGER (MODEL UC 24YFA)	1	
502	318-236	+ DRIVER BIT NO.2 55L	1	
503	319-770	CASE	1	

**OPTIONAL ACCESSORIES**

ITEM NO.	CODE NO.	DESCRIPTION	NO. USED	REMARKS
601	873-929	WRENCH 14MM	1	