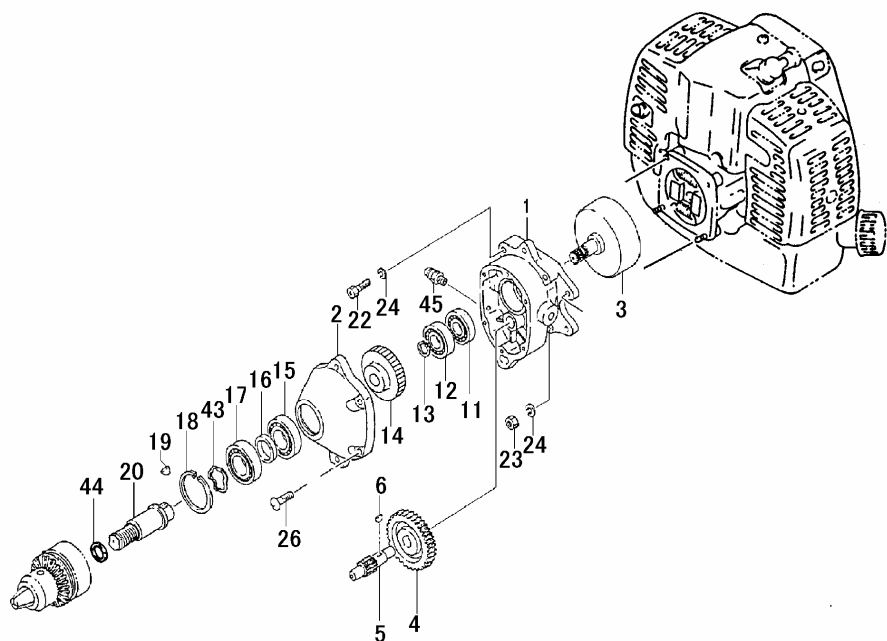


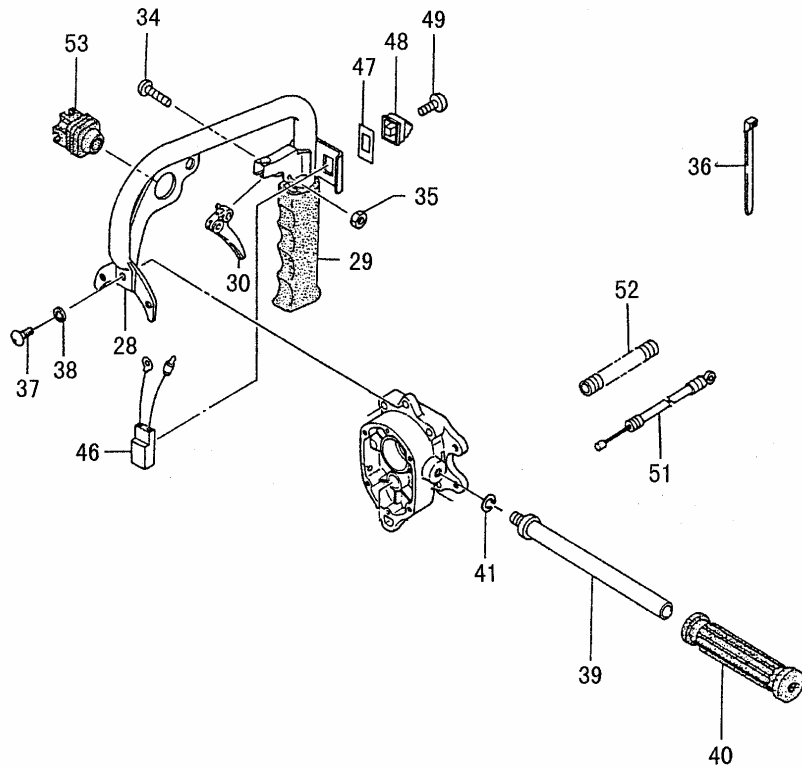
S14-06 DE25EA(S)/(SN) GEAR CASE



REF. NUMBER	PARTS NUMBER	DESCRIPTION	Q'TY	SERIAL NUMBER
001	002-32182-80	GEAR CASE A COMP.	1	
002	006-3210A-80	GEAR CASE B COMP.	1	
003	226-3210A-80	CLUTCH HOUSING COMP.	1	
004	012-32120-20	GEAR 2	1	
005	016-32120-21	GEAR 3	1	
006	068-00300-20	WOOD-RUFF KEY 3X10X3.7	1	
011	999-61600-102	BALL BEARING #6001Z, 28M	1	
012	999-61600-115	BALL BEARING 6001 C3	1	
013	993-50012-002	STOP RING C-12, OUTER	1	
014	018-32120-21	GEAR 4	1	
015	999-61720-221	BALL BEARING #7202B, 35M	1	
016	040-32120-20	BEARING WASHER	1	
017	999-61620-202	BALL BEARING #6202Z, 35M	1	
018	993-51035-002	STOP RING C-35, INNER	1	
019	068-01006-20	WOOD-RUFF KEY 3X13X5	1	
020	022-32120-20	DRIVE SHAFT	1	
022	990-23060-301	PLUS BOLT 6X30	2	
023	991-01060-011	NUT 6	2	
024	992-10060-012	S.WASHER 6	4	
026	994-14050-181	SCREW 5X18/S	4	
043	992-09350-030	WAVE WASHER B.B 35	1	
044	231-32175-20	GEAR SHAFT COLLAR B	1	
045	300-32250-80	GREASE NIPPLE COMP.	1	



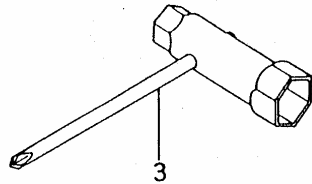
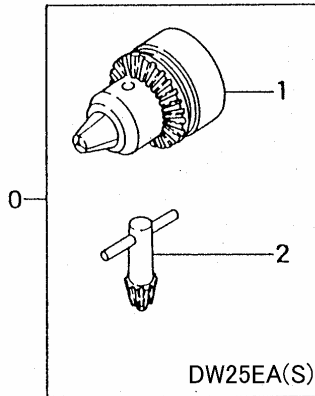
S14-17 DW25EA(S)/(SN) HANDLE



REF. NUMBER	PARTS NUMBER	DESCRIPTION	Q'TY	SERIAL NUMBER
028	258-3210A-82	HANDLE COMP A	1	
029	165-33130-20	HANDLE GRIP A	1	
030	101-32120-20	THROTTLE LEVER	1	
034	990-11050-251	SCREW 5X25	1	
035	991-01050-011	HEX. NUT 5	1	
036	198-33130-20	CORD CLAMP	2	
037	990-23060-161	PLUS BOLT 6X16	1	
038	992-10060-012	S.WASHER 6	1	
039	259-3210A-80	HANDLE COMP. B	1	
040	055-32130-20	HANDLE GRIP	1	
041	992-10100-012	S.WASHER 10	1	
046	156-3210A-80	STOP SWITCH COMP.	1	
047	925-33176-20	STOP BUTTON MARK	1	
048	258-11650-20	BUTTON STOP	1	
049	994-31030-101	SCREW 3X10	1	
051	885-06502-80	THROTTLE WIRE COMP.	1	
052	164-07029-00	CORRUGATED TUBE 7X290	1	
053	155-3210A-20	CHUCK HANDLE HOLDER	1	



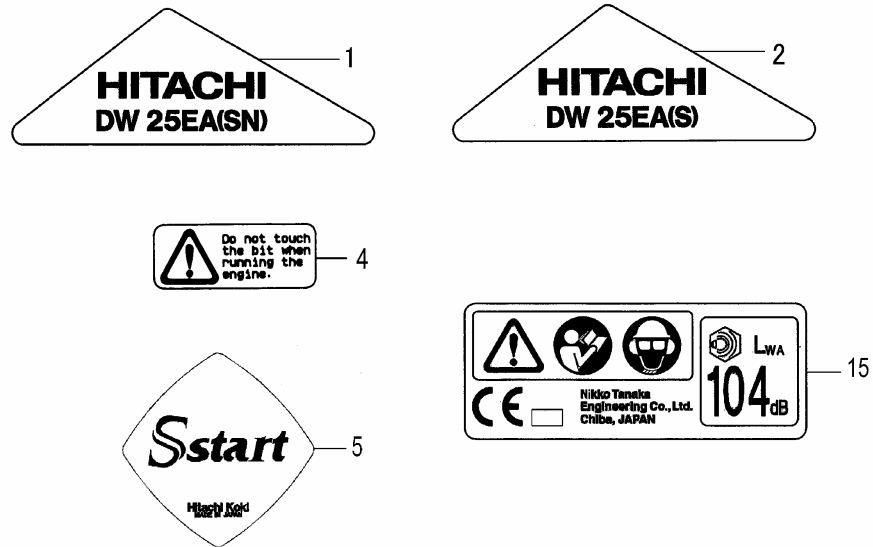
S14-08 DW25EA(S)/(SN) TOOLS



REF. NUMBER	PARTS NUMBER	DESCRIPTION	Q'TY	SERIAL NUMBER
000	059-32120-91	CHUCK HANDLE SET	1	
001	060-32120-91	DRILL CHUCK ASS'Y	1	
002	061-32120-81	CHUCK HANDLE COMP.	1	
003	829-20000-80	COMBI BOX SPANNER 13X	1	



S14-09 DA25EA(S)/(SN) LABELS



REF. NUMBER	PARTS NUMBER	DESCRIPTION	Q'TY	SERIAL NUMBER
001	906-0664A-20	NAME PLATE DW25EA(S)	1	
002	906-0664B-20	NAME PLATE DW25EA(SN)	1	
004	921-32172-20	CAUTION MARK	1	
005	915-51700-21	STARTER MARK S-START	1	
015	919-06620-22	CAUTION MARK A	1	

