

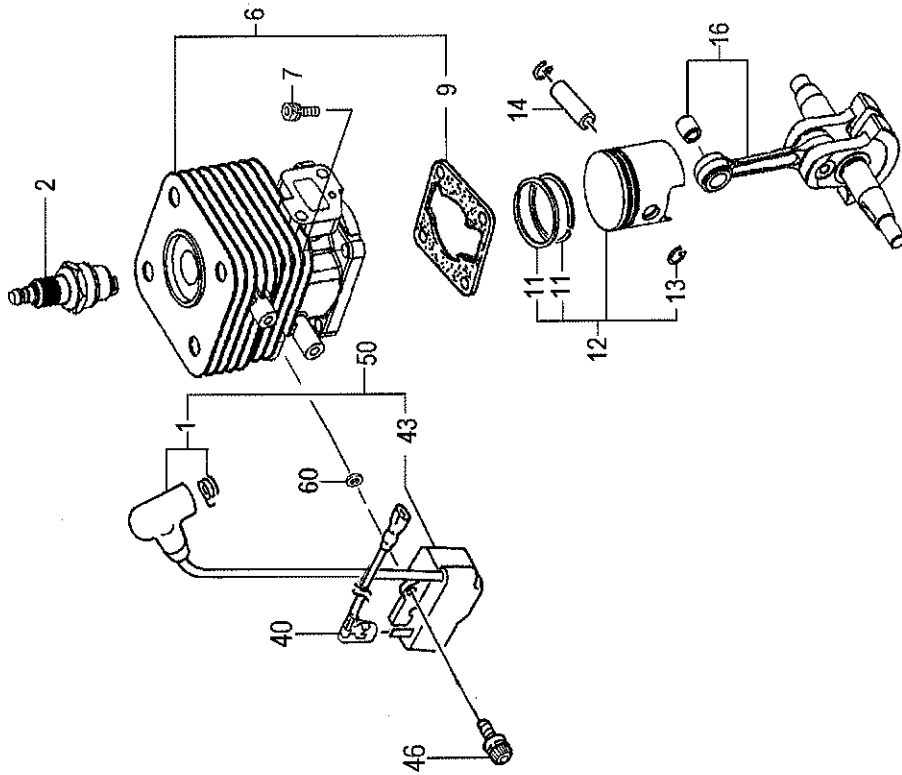
S46

DW25EF(SKP)

Serial No.

S46-01

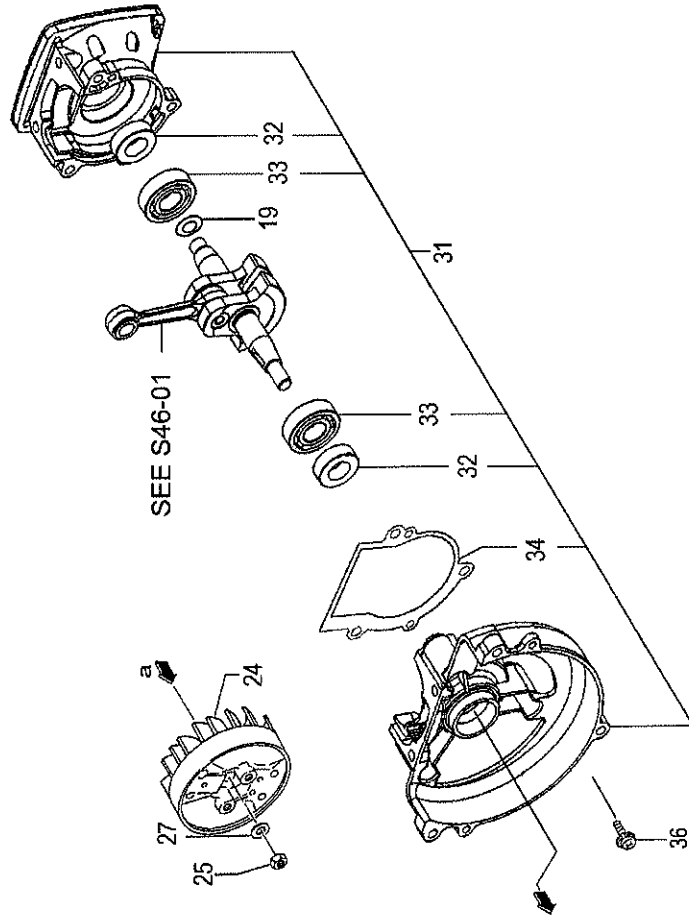
DW25EF(SKP) CYLINDER/PISTON/CRANK SHAFT



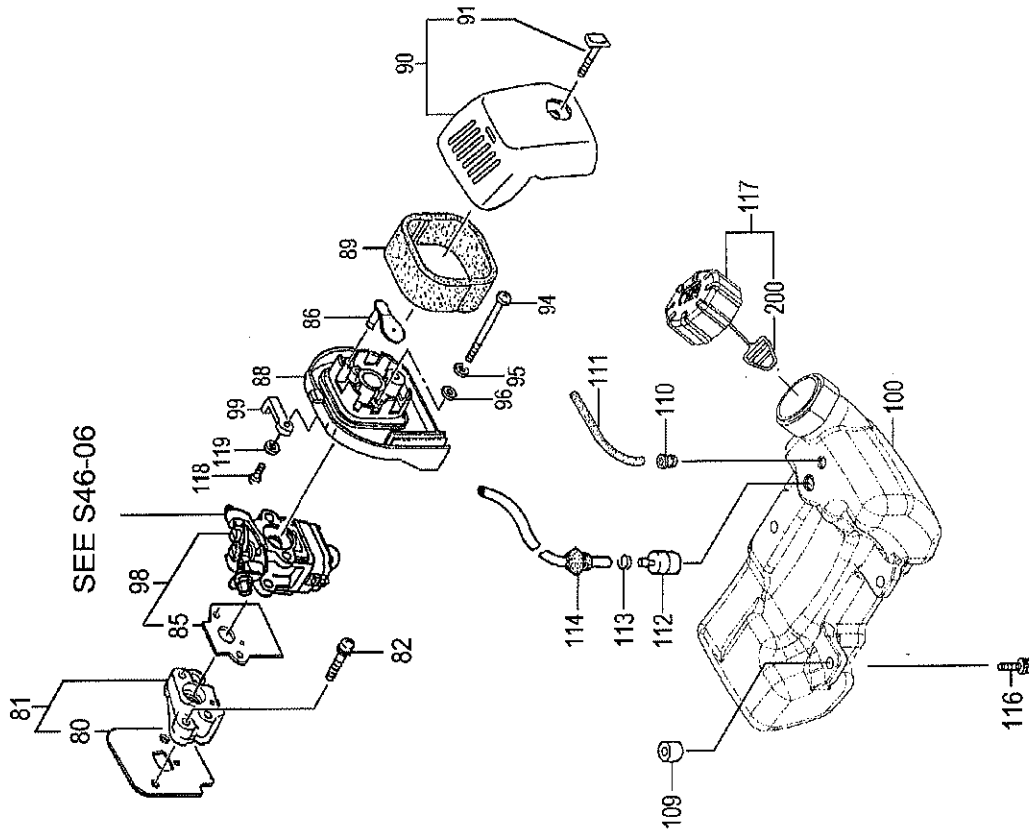
REF. NUMBER	PARTS NUMBER	DESCRIPTION	Q'TY	SERIAL NUMBER
001	668-4894	PLUG CAP ASS'Y	1	
002	668-5769	SPARK PLUG RCJ-8	1	
006	668-5495	CYLINDER SET	1	
007	668-4586	HEX.HOLE BOLT M5X18/S	4	
009	668-5750	CYLINDER GASKET T=1.0	1	
011	668-6121	PISTON RING	2	
012	668-5902	PISTON SET	1	
013	668-4590	PISTON PIN CIRCLIP	2	
014	668-4591	PISTON PIN	1	
016	668-6219	CRANK SHAFT COMP.	1	
040	668-7836	STOP CORD B 190M	1	
043	668-7687	IGNITION COIL COMP.	1	
046	668-4599	HEX.HOLE BOLT M4X18/WS	2	
050	668-7689	IGNITION COIL ASS'Y	1	
060	668-4600	WASHER	2	

S46-02

DW25EF(SKP) CRANK CASE



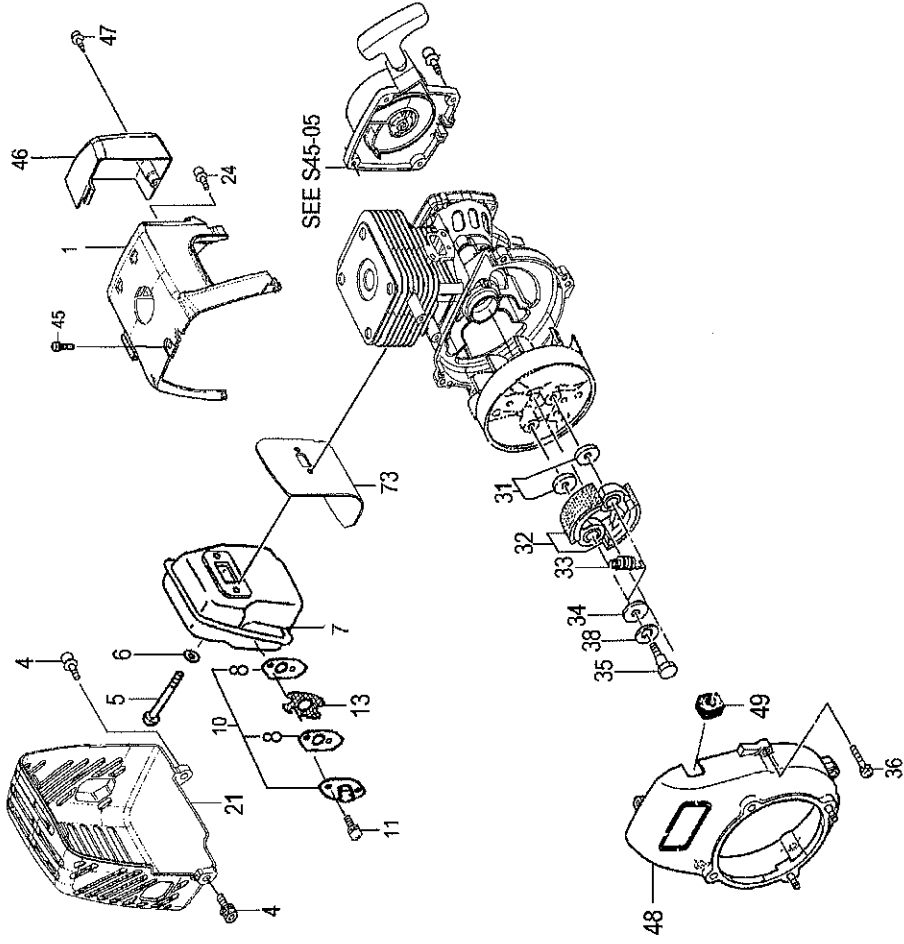
REF. NUMBER	PARTS NUMBER	DESCRIPTION	Q'TY	SERIAL NUMBER
019	668-4604	GEAR SHAFT SHIM 0.20	V	
019	668-4605	GEAR SHAFT SHIM 0.30	V	
024	668-7385	MAGUET RITIR COMB. FW-	1	
025	668-4612	HEX.NUT M8	1	
027	668-4611	WASHER M8	1	
031	668-4905	CRANK CASE ASS'Y	1	
032	668-4607	OIL SEAL TB 12227	2	
033	669-5535	BALL BEARING 6001 C3	2	
034	668-4904	CRANK CASE GASKET	1	
036	668-4903	HEX.HOLE BOLT M5X16/S	4	



REF. NUMBER	PARTS NUMBER	DESCRIPTION	Q'TY	SERIAL NUMBER
080	668-9895	INLET MANIFOLD GASKET	1	
081	668-9972	INSULATOR SET	1	
082	668-4617	HEX. HOLE BOLT 5X25/W5	2	
085	668-4616	CARBURETOR GASKET	1	
086	669-1276	CHOKE PLATE 2.0	1	
088	669-0120	CLEANER BODY COMP.	1	
089	669-0365	CLEANER SPONGE	1	
090	669-0402	CLEANER COVER ASSY	1	
091	669-0384	COVER FIXING BOLT	1	
094	669-4914	SCREW 5X55	2	
095	668-4662	S.WASHER 5	2	
096	668-4864	SMALL WASHER 5	2	
098	669-0522	CARBURETOR SET WYJ-463	1	
099	669-1239	CHOKE CONTROL LEVER	1	
100	669-1604	TANK ORG	1	
109	669-2244	COLLAR 5.8	3	
110	668-4627	RETURN GROMMET	1	
111	668-4626	FUEL PIPE 3X5X65	1	
112	668-4620	PUMP FILTER BODY COMP	1	
113	668-4619	CLIP,6.3 DIA.	1	
114	668-4618	FUEL PIPE ASSY	1	
116	669-5504	HEX.HOLE BOLT 5X16/PS	3	
117	668-5049	TANK CAP ASSY	1	
118	669-5280	TAP SCREW 4X14 P	1	
119	668-5070	BOLT WASHER M4	1	
200	668-4625	TANK CAP CHAIN	1	

S46-04

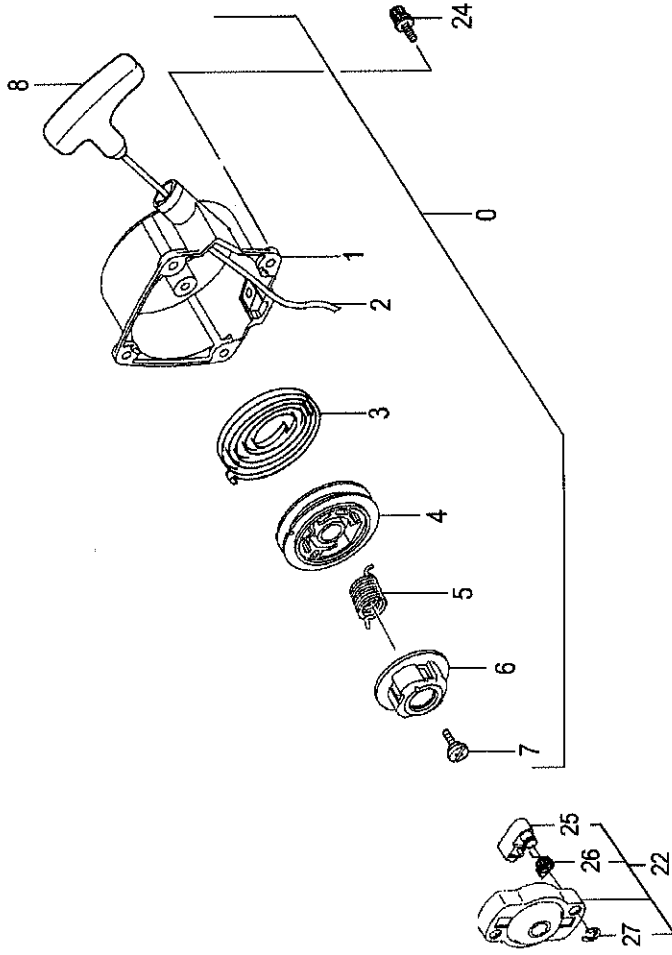
DW25EF(SKP) ENGINE-2



REF. NUMBER	PARTS NUMBER	DESCRIPTION	QTY	SERIAL NUMBER
001	668-5693	CYLINDER COVER (BLK)	1	
004	669-5504	HEX.HOLE BOLT 5X16/PS	2	
005	669-5067	HEX.HOLE BOLT 6X65	2	
006	668-4639	WASHER 6	2	
007	669-2575	MUFFLER COMP.	1	
008	669-2886	MUFFLER SPECIAL GASKE	2	
010	669-2716	TAIL PIPE SET	1	
011	668-4651	SCREW M4X8/WS	2	
013	669-2702	SPARK ARRESTER	1	
021	669-2817	MUFFLER PROTECTOR	1	
024	669-5508	HEX. HOLE BOLT 4X18WS	2	
031	668-4642	CLUTCH WASHER B	2	
032	668-4643	CLUTCH SHOE COMP.	2	
033	668-4644	CLUTCH SPRING	1	
034	668-4645	CLUTCH PLATE A 0.5	2	
035	668-4646	STEP BOLT	2	
036	668-4647	HEX.HOLE BOLT M5X18/WS	3	
038	668-4648	BENT WASHER 8	2	
045	668-4682	HEX.HOLE BOLT 4X15/PS	1	
046	668-7216	AIR DEFLECTOR BLK	1	
047	668-4751	TAPPING SCREW 4X14	1	
048	668-7038	FAN CASE COMP OR	1	
049	668-8057	PRIMARY CORD GROMMET	1	
073	668-7265	HEAT SHIELD	1	

S46-05

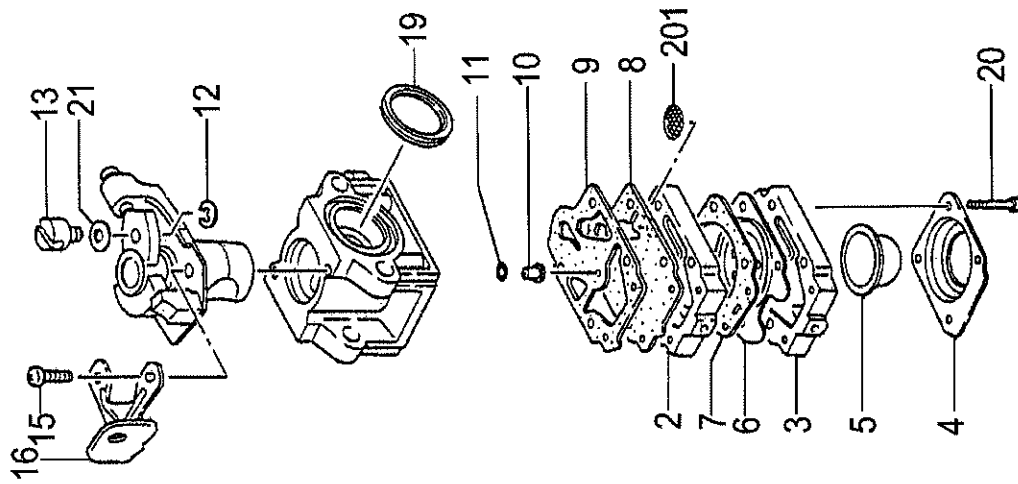
DW25EF(SKP) RECOIL STARTER



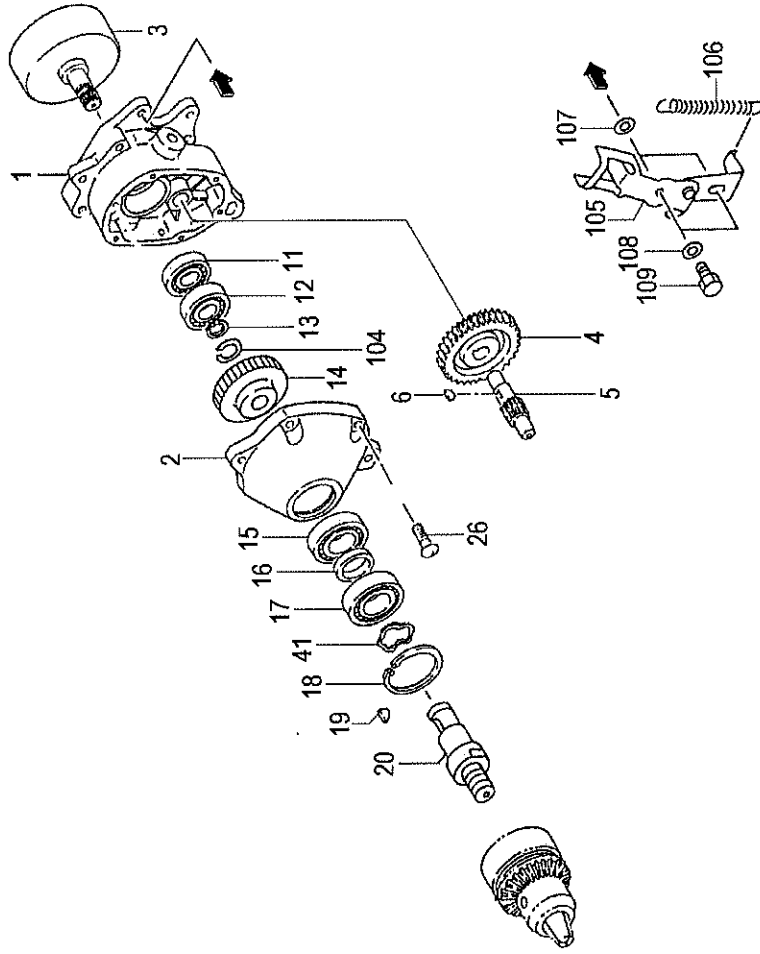
REF. NUMBER	PARTS NUMBER	DESCRIPTION	Q'TY	SERIAL NUMBER
000	668-4672	RECOIL STARTER BODY ASSY	1	
001	668-4673	RECOIL STARTER BODY COVER	1	
002	668-4674	STARTER ROPE 3.5X860	1	
003	668-4675	RECOIL SPRING	1	
004	668-4676	STARTER ROPE REEL	1	
005	668-4677	DUMPER SPRING	1	
006	668-4678	CAM PLATE	1	
007	668-4679	SET SCREW	1	
008	668-4680	STARTER HANDLE	1	
022	668-4681	STARTER PULLEY ASSY	1	
024	669-5508	HEX. HOLE BOLT 4X18WS	2	
025	668-4685	STARTER PAWL	2	
026	668-4684	STARTER PAWL SPRING	2	
027	668-4683	STOP RING E-5	2	

S46-06

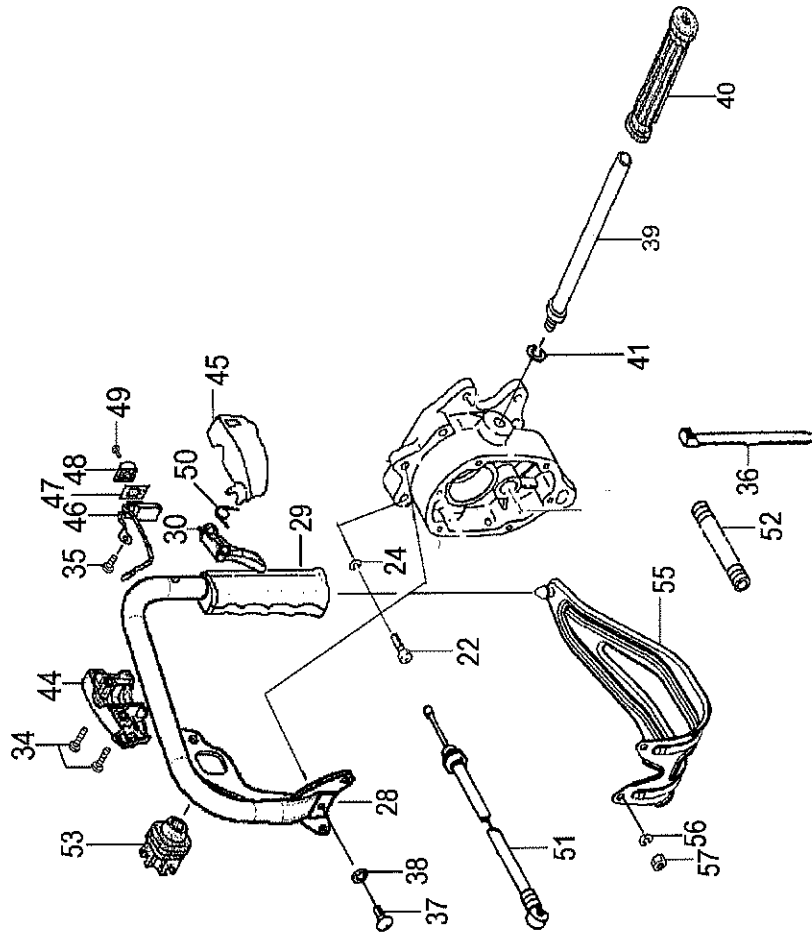
DW25EF(SKP) CARBURETOR



REF. NUMBER	PARTS NUMBER	DESCRIPTION	Q'TY	SERIAL NUMBER
002	668-4879	PUMP BODY COMP.	1	
003	668-4687	PRIMING PUMP COMP.	1	
004	668-4688	DIAPHRAGM COVER	1	
005	668-4689	PRIMING BODY	1	
006	668-4690	METERING DIAPHRAGM CO	1	
007	668-4691	DIAPHRAGM GASKET	1	
008	668-4693	PUMP DIAPHRAGM	1	
009	668-4692	PUMP GASKET	1	
010	669-1874	LONG MAIN JET #38	1	
011	668-4695	O-RING	1	
012	668-4696	STOP RING	1	
013	668-4697	SWIVEL	1	
015	668-4870	THROTTLE SET SCREW	2	
016	668-4873	CABLE ADJUSTER STAY	1	
019	668-4875	CLEANER PACKING	1	
020	668-4699	SET SCREW	4	
021	668-4874	THRUST WASHER	1	
201	668-4700	INLET SCREEN	1	



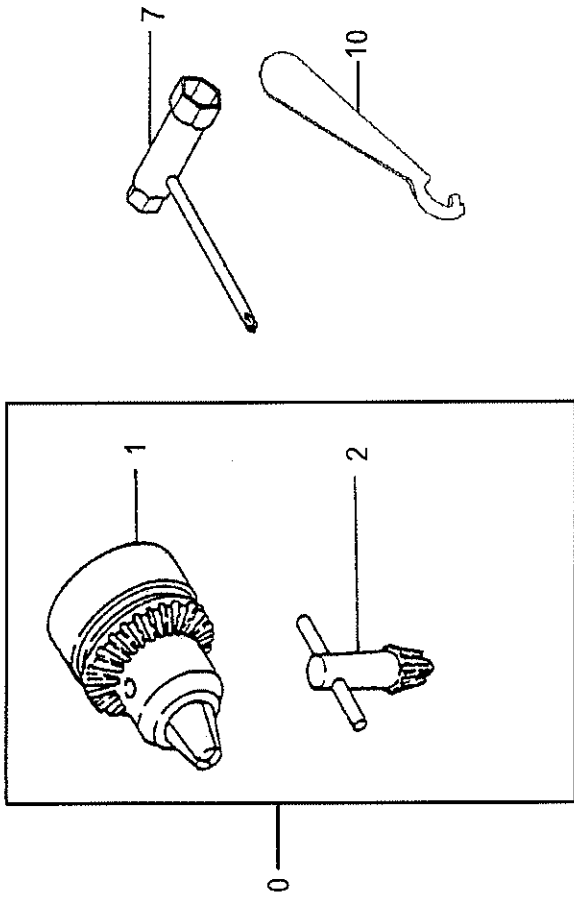
REF. NUMBER	PARTS NUMBER	DESCRIPTION	QTY	SERIAL NUMBER
001	668-5578	GEAR CASE A COMP.	1	
002	668-5593	GEAR CASE B COMP.	1	
003	668-8210	CLUTCH HOUSING COMP.	1	
004	668-5656	GEAR 2	1	
005	668-5702	GEAR 3	1	
006	668-6454	WOOD-RUFF KEY 3X10X3.7	1	
011	669-5532	BALL BEARING #6001Z, 28M	1	
012	669-5534	BALL BEARING #16001	1	
013	669-5282	STOP RING C 11, OUTER	1	
014	668-5788	GEAR 4	1	
015	669-5587	BALL BEARING #7202B, 35M	1	
016	668-6065	WASHAER C 5.0	1	
017	669-5559	BALL BEARING #6202Z, 35M	1	
018	669-5296	STOP RING C-35, INNER	1	
019	668-6455	WOOD-RUFF KEY 3X13X5	1	
020	668-5824	DRIVE SHAFT	1	
026	669-5339	SCREW 5X18/S	4	
041	669-5206	WAVE WASHER B.B 35	1	
104	669-5283	STOP RING C-13, OUTER	1	
105	668-9992	LOCK LEVER COMP.	1	
106	668-9998	LOCK LEVER SPRING	1	
107	668-7942	SPECIAL WASHER	2	
108	668-5103	BOLT WASHER M7	2	
109	669-3366	STEP BOLT	2	



REF. NUMBER	PARTS NUMBER	DESCRIPTION	Q'TY	SERIAL NUMBER
022	669-5022	PLUS BOLT 6X30	2	
024	669-5219	S.WASHER 6	2	
028	668-8370	HANDLE A COMP	1	
029	668-7624	HANDLE GRIP A	1	
030	668-6401	THROTTLE LEVER	1	
034	669-5280	TAP SCREW 4X14 P	2	
035	669-4860	SCREW 4X6	1	
036	668-8015	CORD CLAMP	2	
037	669-5019	PLUS BOLT 6X16	1	
038	669-5219	S.WASHER 6	1	
039	668-8372	HANDLE COMP. B	1	
040	668-6350	HANDLE GRIP	1	
041	669-5225	S.WASHER 10	1	
044	669-3818	THROTTLE BODY B	1	
045	669-3795	THROTTLE BODY A	1	
046	668-7776	STOP SWITCH COMP.	1	
047	669-4588	STOP BUTTON MARK	1	
048	668-8366	BUTTON STOP	1	
049	668-4913	SCREW 3X10	1	
050	668-6421	THROTTLE LEVER SPRING	1	
051	669-3988	THROTTLE WIRE 400+30	1	
052	668-7535	PROTECTION TUBE 345L	1	
053	668-7420	CHUCK HANDLE HOLDER	1	
055	668-8404	HANDLE SUPPORT COMP.	1	
056	669-5219	S.WASHER 6	2	
057	668-4792	NUT M6	2	

S46-09

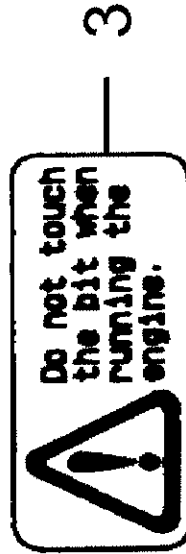
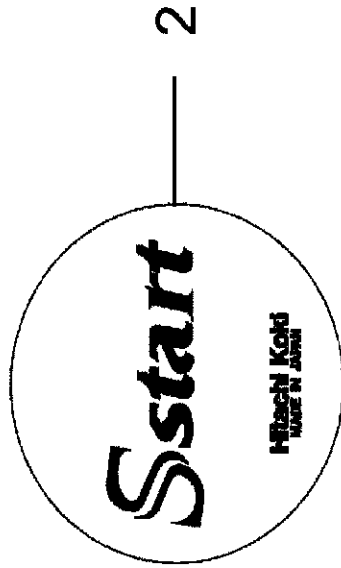
DW25EF(SKP) TOOLS/OPTIONAL PARTS



REF. NUMBER	PARTS NUMBER	DESCRIPTION	Q'TY	SERIAL NUMBER
000	668-6372	CHUCK HANDLE SET	1	
001	668-6377	DRILL CHUCK ASS'Y	1	
002	668-6410	CHUCK HANDLE COMP.	1	
007	668-5998	COMBI BOX PLUS	1	
010	669-3647	SPECIAL WRENCH 31	1	

S46-10

DW25EF(SKP) LABELS



REF. NUMBER	PARTS NUMBER	DESCRIPTION	Q'TY	SERIAL NUMBER
001	669-4684	SYMBOL MARK DW25EF(SK	1	
002	669-4474	STARTER MARK S.START	1	
003	669-4574	CAUTION MARK	1	