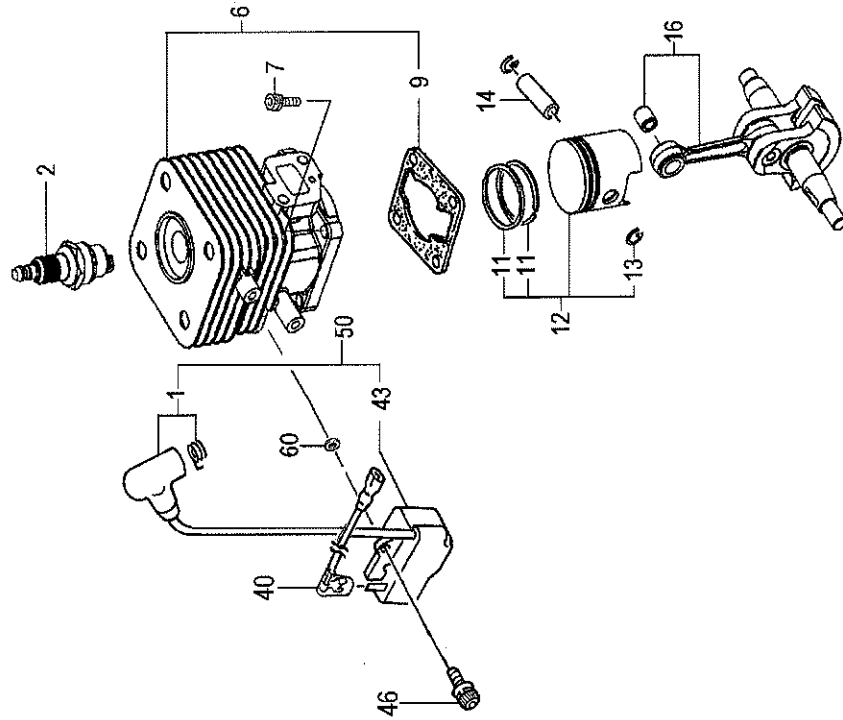


S45

DW25EF(SRP)

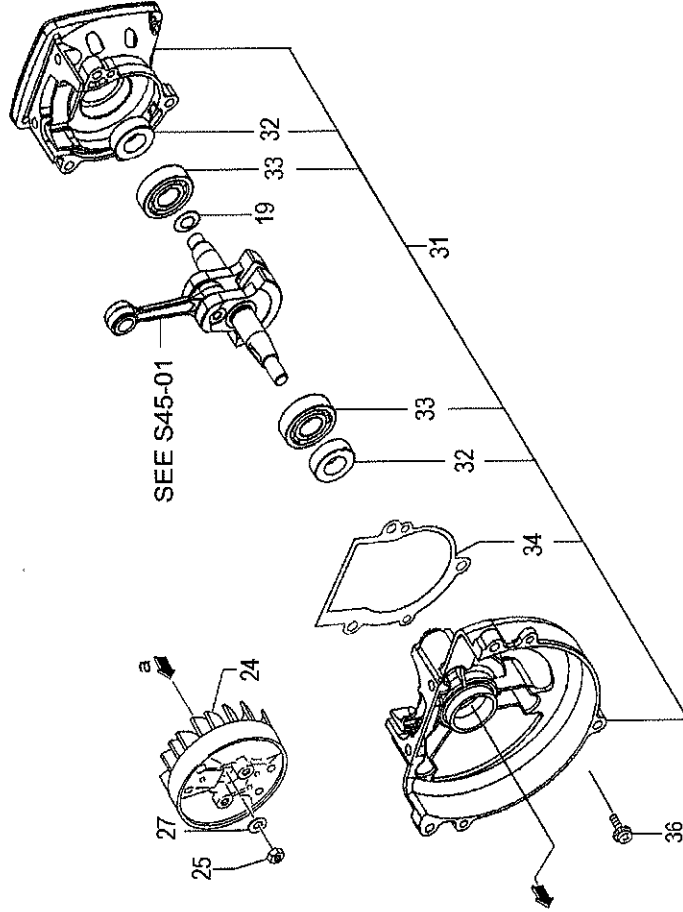
Serial No.



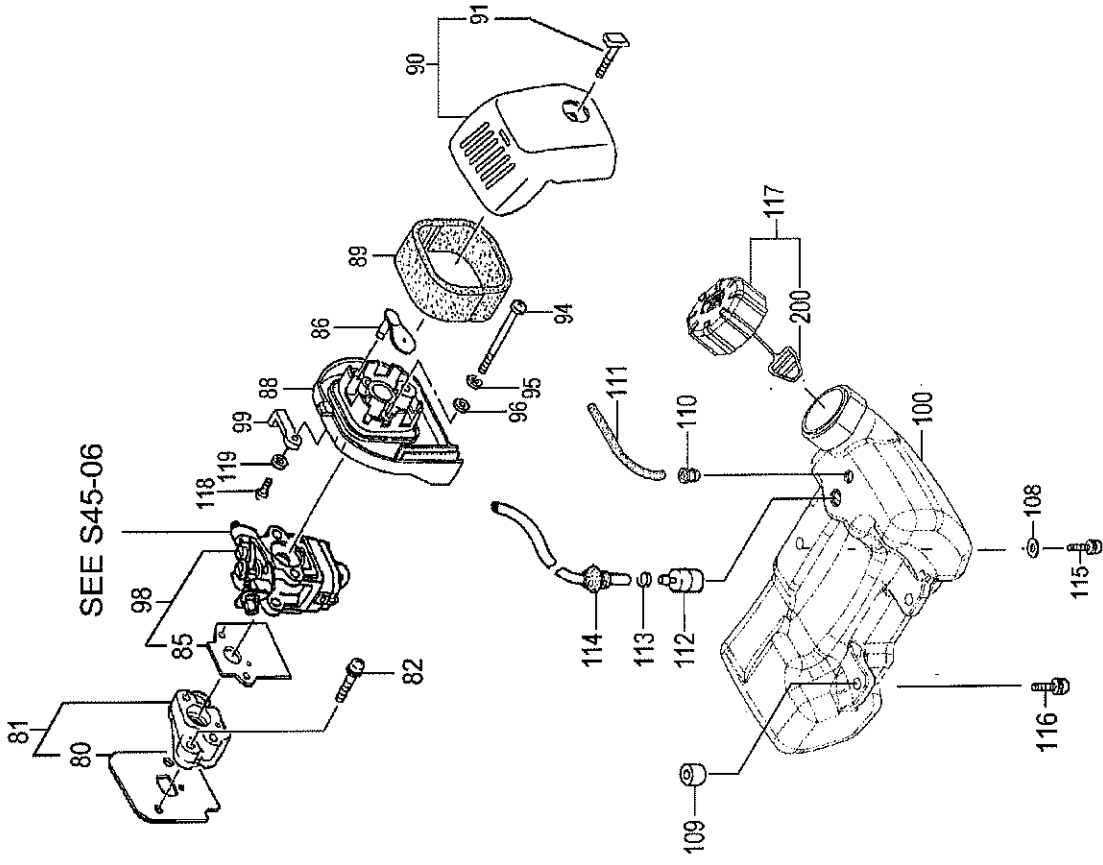
| REF. NUMBER | PARTS NUMBER | DESCRIPTION | Q'TY | SERIAL NUMBER |
|-------------|--------------|------------------------|------|---------------|
| 001 | 668-4894 | PLUG CAP ASSY | 1 | |
| 002 | 668-5769 | SPARK PLUG RCJ-8 | 1 | |
| 006 | 668-5495 | CYLINDER SET | 1 | |
| 007 | 668-4586 | HEX.HOLE BOLT M5X18/S | 4 | |
| 009 | 668-5750 | CYLINDER GASKET T=1.0 | 1 | |
| 011 | 668-6121 | PISTON RING | 2 | |
| 012 | 668-5902 | PISTON SET | 1 | |
| 013 | 668-4590 | PISTON PIN CIRCLIP | 2 | |
| 014 | 668-4591 | PISTON PIN | 1 | |
| 016 | 668-6219 | CRANK SHAFT COMP. | 1 | |
| 040 | 668-7836 | STOP CORD B 190M | 1 | |
| 043 | 668-7687 | IGNITION COIL COMP. | 1 | |
| 046 | 668-4599 | HEX.HOLE BOLT M4X18/WS | 2 | |
| 050 | 668-7689 | IGNITION COIL ASS'Y | 1 | |
| 060 | 668-4600 | WASHER | 2 | |

S45-02

DW25EF(SRP) CRANK CASE

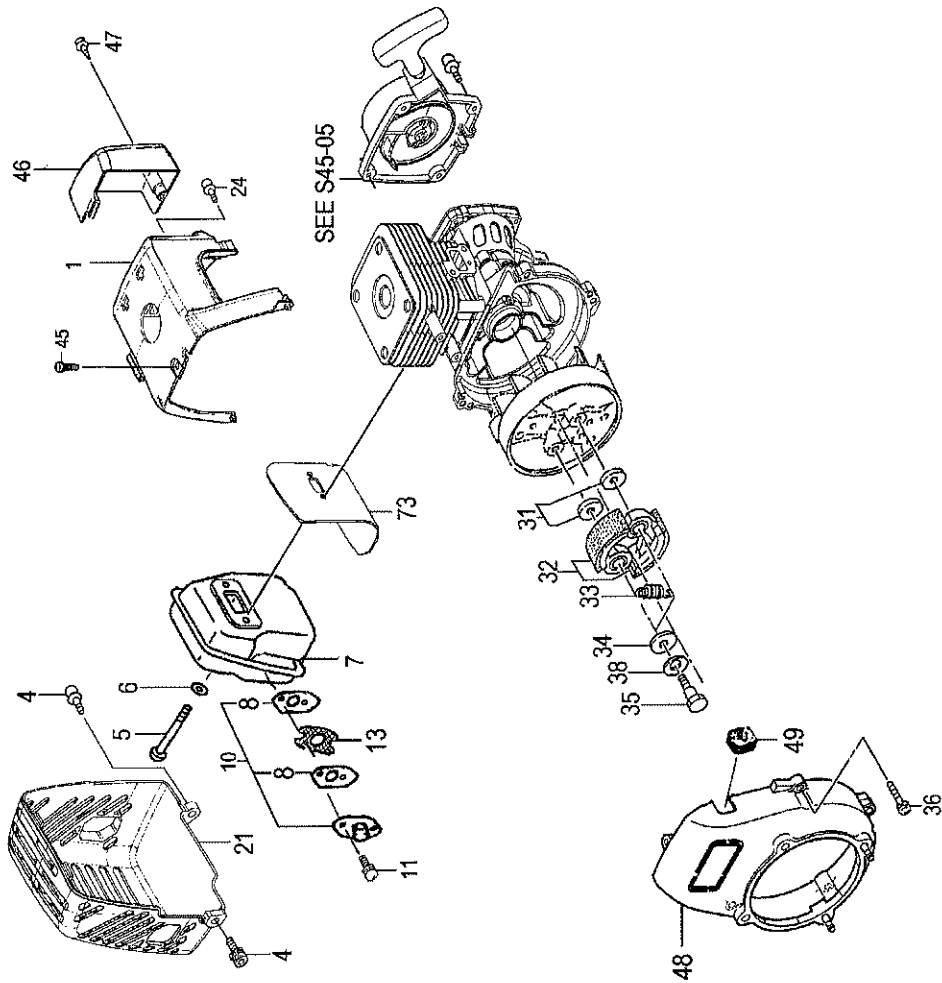


| REF. NUMBER | PARTS NUMBER | DESCRIPTION | Q'TY | SERIAL NUMBER |
|-------------|--------------|------------------------|------|---------------|
| 019 | 668-4604 | GEAR SHAFT SHIM 0.20 | V | |
| 019 | 668-4605 | GEAR SHAFT SHIM 0.30 | V | |
| 024 | 668-7385 | MAGNET RITIR COMB. FW- | 1 | |
| 025 | 668-4612 | HEX.NUT M8 | 1 | |
| 027 | 668-4611 | WASHER M8 | 1 | |
| 031 | 668-4905 | CRANK CASE ASSY | 1 | |
| 032 | 668-4607 | OIL SEAL TB 12227 | 2 | |
| 033 | 669-5535 | BALL BEARING 6001 C3 | 2 | |
| 034 | 668-4904 | CRANK CASE GASKET | 1 | |
| 036 | 668-4903 | HEX.HOLE BOLT M5X16/S | 4 | |



| REF. NUMBER | PARTS NUMBER | DESCRIPTION | QTY | SERIAL NUMBER |
|-------------|--------------|-----------------------|-----|---------------|
| 080 | 668-9895 | INLET MANIFOLD GASKET | 1 | |
| 081 | 668-9972 | INSULATOR SET | 1 | |
| 082 | 669-5515 | HEX. HOLE BOLT 5X25WS | 2 | |
| 085 | 668-4616 | CARBURETOR GASKET | 1 | |
| 086 | 669-1276 | CHOKE PLATE 2.0 | 1 | |
| 088 | 669-0120 | CLEANER BODY COMP. | 1 | |
| 089 | 669-0365 | CLEANER SPONGE | 1 | |
| 090 | 669-0402 | CLEANER COVER ASSY | 1 | |
| 091 | 669-0384 | COVER FIXING BOLT | 1 | |
| 094 | 669-4914 | SCREW 5X55 | 2 | |
| 095 | 668-4662 | S.WASHER 5 | 2 | |
| 096 | 668-4864 | SMALL WASHER 5 | 2 | |
| 098 | 669-0522 | CABURETOR SET WYJ-463 | 1 | |
| 099 | 669-1239 | CHOKE CONTROL LEVER | 1 | |
| 100 | 669-1604 | TANK ORG | 1 | |
| 109 | 669-2244 | COLLAR 5.8 | 3 | |
| 110 | 668-4627 | RETURN GROMMET | 1 | |
| 111 | 668-4626 | FUEL PIPE 3X5X65 | 1 | |
| 112 | 668-4620 | PUMP FILTER BODY COMP | 1 | |
| 113 | 668-4619 | CLIP, 6.3 DIA. | 1 | |
| 114 | 668-4618 | FUEL PIPE ASSY | 1 | |
| 115 | 669-5506 | HEX HOLE BOLT 5X20PS | 1 | |
| 116 | 669-5504 | HEX.HOLE BOLT 5X16/PS | 2 | |
| 117 | 668-5049 | TANK CAP ASSY | 1 | |
| 118 | 669-5280 | TAP SCREW 4X14 P | 1 | |
| 119 | 668-5070 | BOLT WASHER M4 | 1 | |
| 200 | 668-4625 | TANK CAP CHAIN | 1 | |

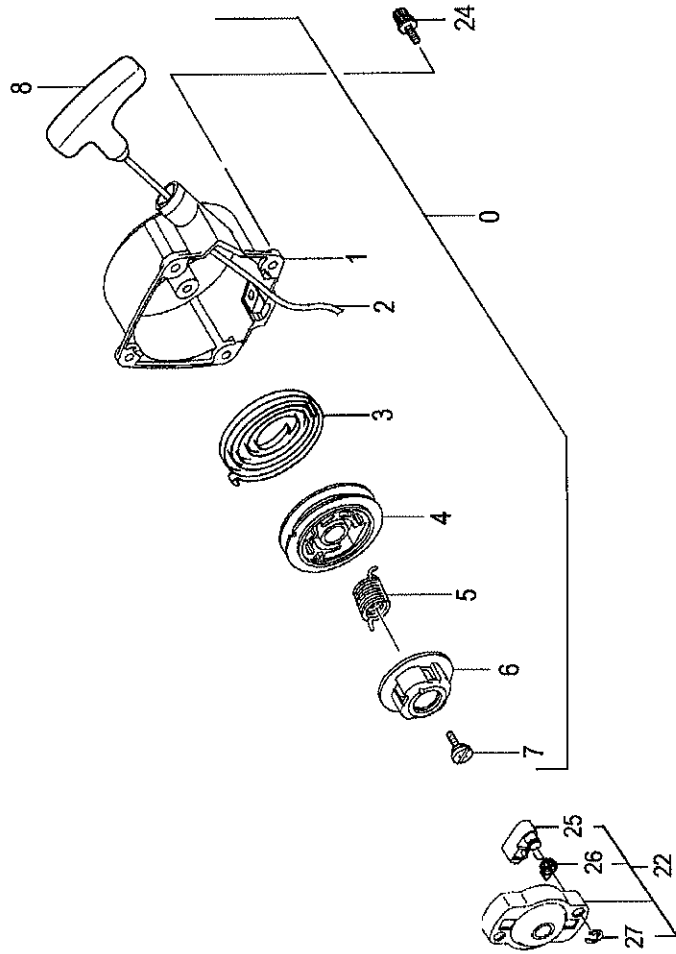
S45-04 DW25EF(SRP) ENGINE-2



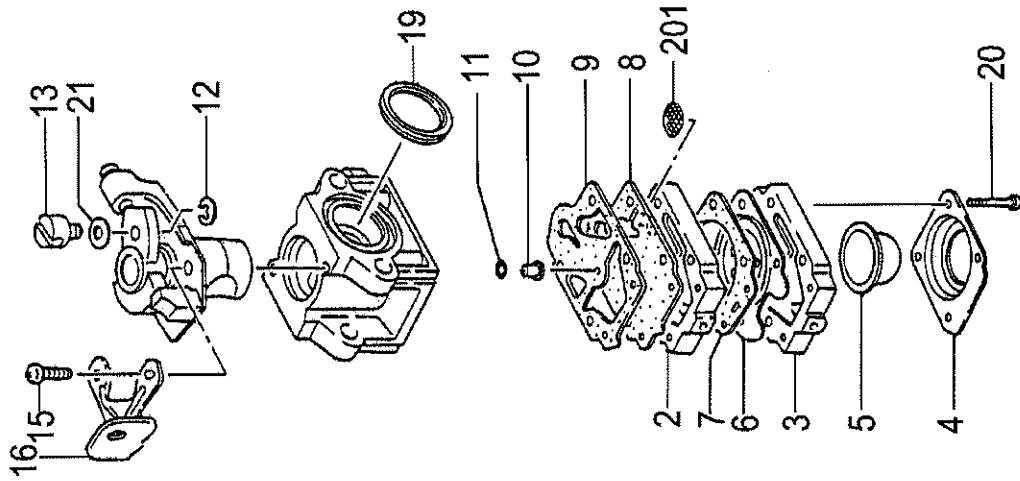
| REF. NUMBER | PARTS NUMBER | DESCRIPTION | QTY | SERIAL NUMBER |
|-------------|--------------|-----------------------|-----|---------------|
| 001 | 668-5693 | CYLINDER COVER (BLK) | 1 | |
| 004 | 669-5504 | HEX.HOLE BOLT 5X16/PS | 2 | |
| 005 | 669-5067 | HEX.HOLE BOLT 6X65 | 2 | |
| 006 | 668-4639 | WASHER 6 | 2 | |
| 007 | 669-2575 | MUFFLER COMP. | 1 | |
| 008 | 669-2886 | MUFFLER SPECIAL GASKE | 2 | |
| 010 | 669-2716 | TAIL PIPE SET | 1 | |
| 011 | 668-4651 | SCREW M4X8WS | 2 | |
| 013 | 669-2702 | SPARK ARRESTER | 1 | |
| 021 | 669-2817 | MUFFLER PROTECTOR | 1 | |
| 024 | 669-5508 | HEX. HOLE BOLT 4X18WS | 2 | |
| 031 | 668-4642 | CLUTCH WASHER B | 2 | |
| 032 | 668-4643 | CLUTCH SHOE COMP. | 2 | |
| 033 | 668-4644 | CLUTCH SPRING | 1 | |
| 034 | 668-4645 | CLUTCH PLATE A 0.5 | 2 | |
| 035 | 668-4646 | STEP BOLT | 2 | |
| 036 | 668-4647 | HEX.HOLE BOLT M5X18WS | 3 | |
| 038 | 668-4648 | BENT WASHER 8 | 2 | |
| 045 | 668-4682 | HEX.HOLE BOLT 4X15/PS | 1 | |
| 046 | 668-7216 | AIR DEFLECTOR BLK | 1 | |
| 047 | 668-4751 | TAPPING SCREW 4X14 | 1 | |
| 048 | 668-7038 | FAN CASE COMP OR | 1 | |
| 049 | 668-8057 | PRIMARY CORD GROMMET | 1 | |
| 073 | 668-7265 | HEAT SHIELD | 1 | |

S45-05

DW25EF(SRP) RECOIL STARTER



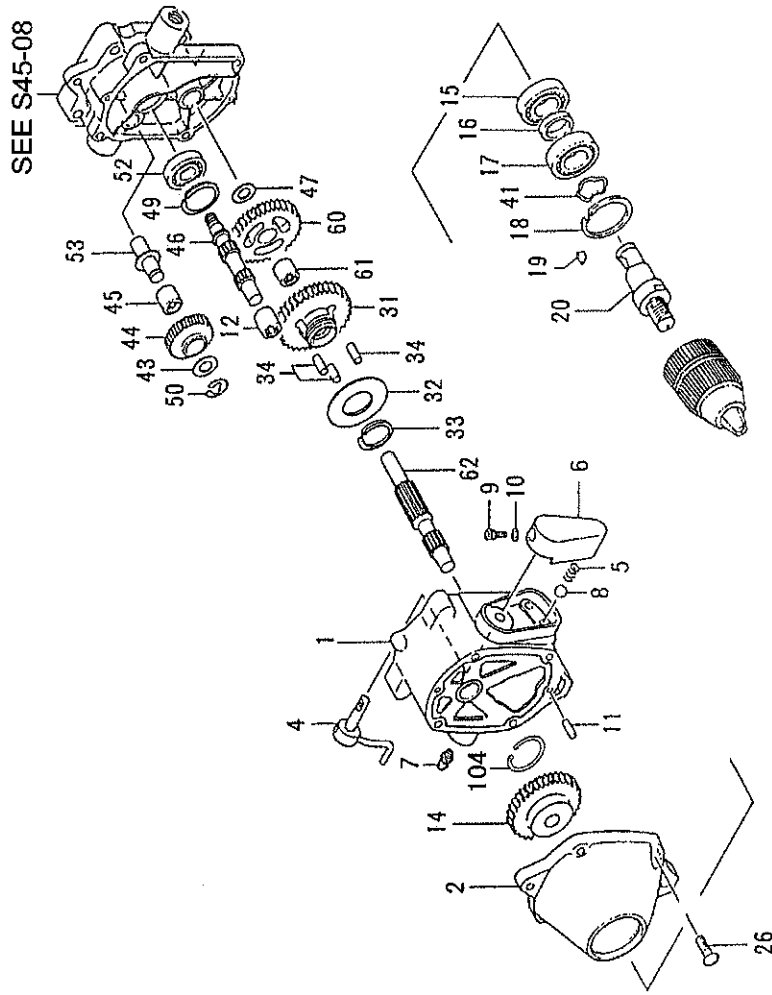
| REF. NUMBER | PARTS NUMBER | DESCRIPTION | QTY | SERIAL NUMBER |
|-------------|--------------|------------------------|-----|---------------|
| 000 | 668-4672 | RECOIL STARTER BODY AS | 1 | |
| 001 | 668-4673 | RECOIL STARTER BODY CO | 1 | |
| 002 | 668-4674 | STARTER ROPE 3.5X860 | 1 | |
| 003 | 668-4675 | RECOIL SPRING | 1 | |
| 004 | 668-4676 | STARTER ROPE REEL | 1 | |
| 005 | 668-4677 | DUMPER SPRING | 1 | |
| 006 | 668-4678 | CAM PLATE | 1 | |
| 007 | 668-4679 | SET SCREW | 1 | |
| 008 | 668-4680 | STARTER HANDLE | 1 | |
| 022 | 668-4681 | STARTER PULLEY ASSY | 1 | |
| 024 | 669-5508 | HEX. HOLE BOLT 4X18WS | 2 | |
| 025 | 668-4685 | STARTER PAWL | 2 | |
| 026 | 668-4684 | STARTER PAWL SPRING | 2 | |
| 027 | 668-4683 | STOP RING E-5 | 2 | |



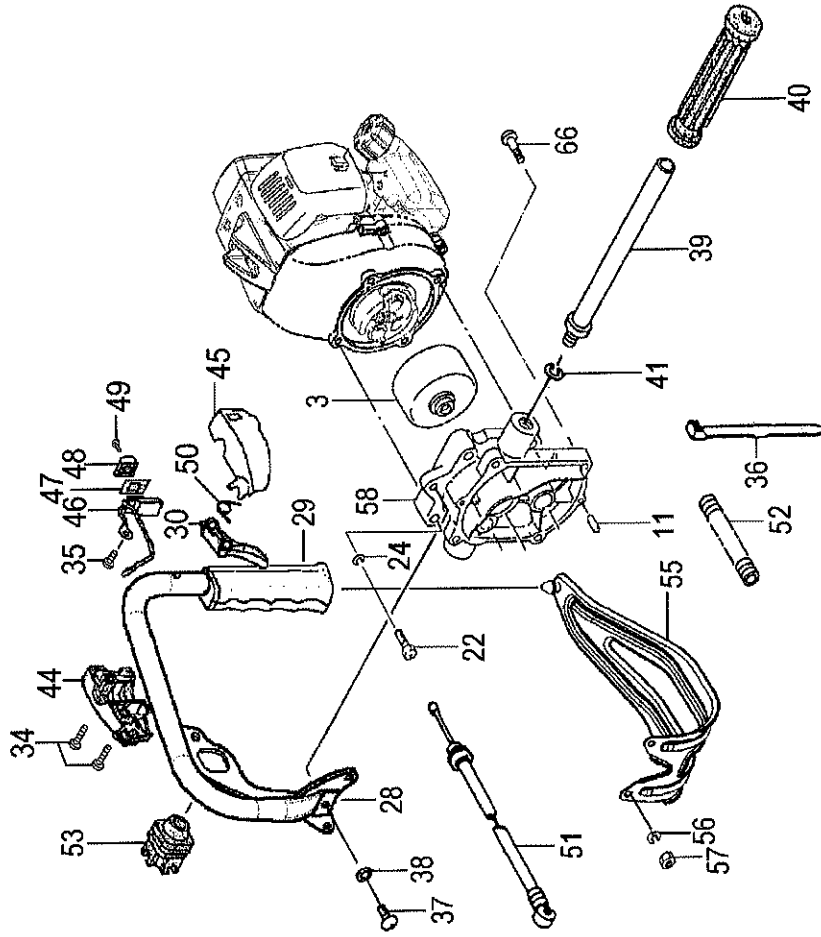
| REF. NUMBER | PARTS NUMBER | DESCRIPTION | QTY | SERIAL NUMBER |
|-------------|--------------|-----------------------|-----|---------------|
| 002 | 668-4879 | PUMP BODY COMP. | 1 | |
| 003 | 668-4687 | PRIMING PUMP COMP. | 1 | |
| 004 | 668-4688 | DIAPHRAGM COVER | 1 | |
| 005 | 668-4689 | PRIMING BODY | 1 | |
| 006 | 668-4690 | METERING DIAPHRAGM CO | 1 | |
| 007 | 668-4691 | DIAPHRAGM GASKET | 1 | |
| 008 | 668-4693 | PUMP DIAPHRAGM | 1 | |
| 009 | 668-4692 | PUMP GASKET | 1 | |
| 010 | 669-1874 | LONG MAIN JET #38 | 1 | |
| 011 | 668-4695 | O-RING | 1 | |
| 012 | 668-4696 | STOP RING | 1 | |
| 013 | 668-4697 | SWIVEL | 1 | |
| 015 | 668-4870 | THROTTLE SET SCREW | 2 | |
| 016 | 668-4873 | CABLE ADJUSTER STAY | 1 | |
| 019 | 668-4875 | CLEANER PACKING | 1 | |
| 020 | 668-4699 | SET SCREW | 4 | |
| 021 | 668-4874 | THRUST WASHER | 1 | |
| 201 | 668-4700 | INLET SCREEN | 1 | |

S45-07

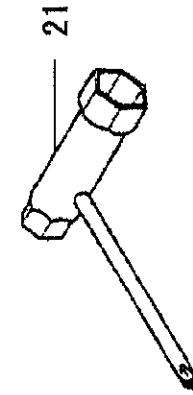
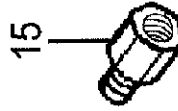
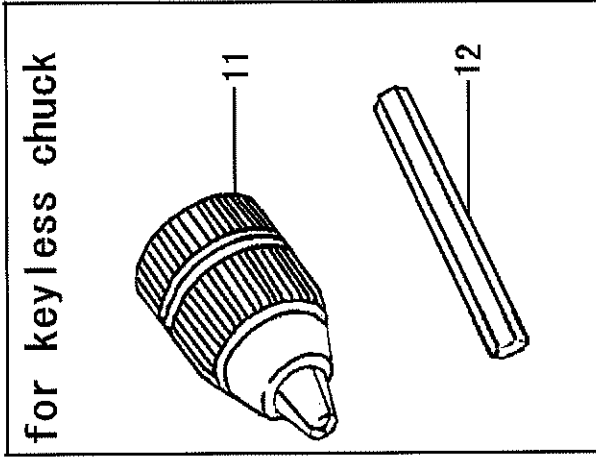
DW25EF(SRP) GEAR CASE



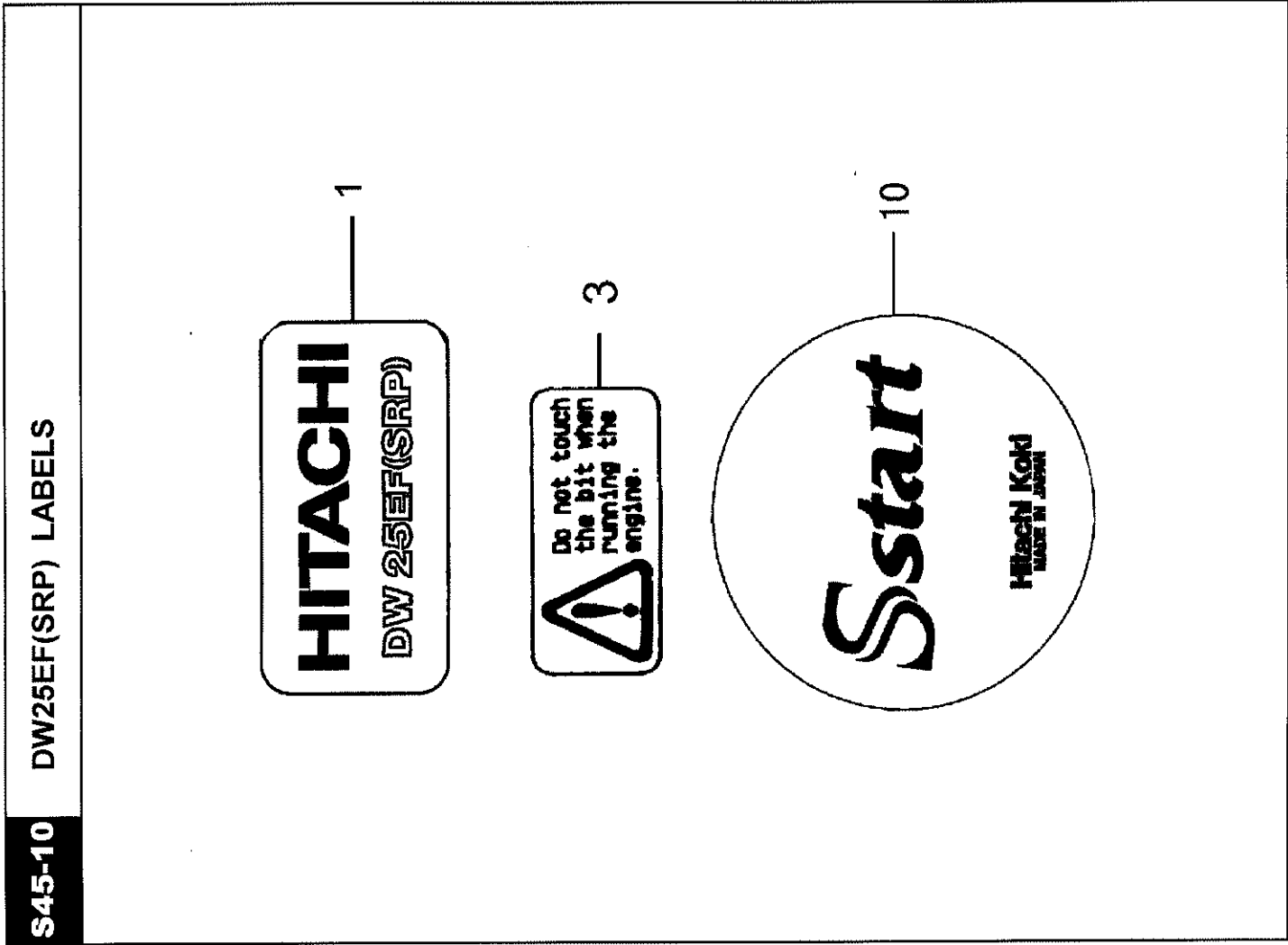
| REF. NUMBER | PARTS NUMBER | DESCRIPTION | Q'TY | SERIAL NUMBER |
|-------------|--------------|--------------------------|------|---------------|
| 001 | 668-5576 | GEAR CASE A | 1 | |
| 002 | 668-5593 | GEAR CASE B COMP. | 1 | |
| 004 | 668-6684 | SHIFT FORK COMP. | 1 | |
| 005 | 668-6837 | SHIFT GUIDE SPRING | 1 | |
| 006 | 668-6862 | SHIFT LEVER | 1 | |
| 007 | 668-8643 | GREASE NIPPLE COMP. | 1 | |
| 008 | 669-2271 | STEEL BALL | 1 | |
| 009 | 669-5034 | HEX. HOLE BOLT 4X8 | 1 | |
| 010 | 668-5070 | BOLT WASHER M4 | 1 | |
| 011 | 669-5521 | KNOCK PIN 4X12 | 2 | |
| 012 | 669-5591 | NEEDLE BRG TLA912 1.5X5 | 1 | |
| 014 | 668-5788 | GEAR 4 | 1 | |
| 015 | 669-5587 | BALL BEARING #7202B, 35M | 1 | |
| 016 | 668-6065 | WASHAER C 5.0 | 1 | |
| 017 | 669-5559 | BALL BEARING #6202Z, 35M | 1 | |
| 018 | 669-5296 | STOP RING C-35, INNER | 1 | |
| 019 | 668-6455 | WOOD-RUFF KEY 3X13X5 | 1 | |
| 020 | 668-5824 | DRIVE SHAFT | 1 | |
| 026 | 669-5339 | SCREW 5X18/S | 4 | |
| 031 | 668-6378 | FORWARD GEAR | 1 | |
| 032 | 668-7314 | THRUST WASHER 2 | 1 | |
| 033 | 669-5316 | STOP RING 20, INNER | 1 | |
| 034 | 669-5522 | NEEDLE ROLLER 6X18 | 3 | |
| 041 | 669-5206 | WAVE WASHER B.B 35 | 1 | |
| 043 | 668-7320 | THRUST WASHER 0.8 | 1 | |
| 044 | 668-6373 | IDLE GEAR | 1 | |
| 045 | 669-5591 | NEEDLE BRG TLA912 1.5X5 | 1 | |
| 046 | 668-6423 | INPUT SHAFT | 1 | |
| 047 | 668-7320 | THRUST WASHER 0.8 | 1 | |
| 049 | 668-4732 | STOP RING C-24,INNER | 1 | |
| 050 | 669-5313 | E TYPE STOP RING 8 | 1 | |
| 052 | 668-4735 | BALL BEARING 609Z ST | 1 | |
| 053 | 668-6365 | IDLE SHAFT | 1 | |
| 060 | 668-6411 | REVERSE GEAR | 1 | |
| 061 | 669-5591 | NEEDLE BRG TLA912 1.5X5 | 1 | |
| 062 | 668-6427 | COUNTER SHAFT | 1 | |
| 104 | 669-5283 | STOP RING C-13; OUTER | 1 | |



| REF. NUMBER | PARTS NUMBER | DESCRIPTION | Q'TY | SERIAL NUMBER |
|-------------|--------------|-----------------------|------|---------------|
| 003 | 668-8199 | CLUTCH HOUSING COMP. | 1 | |
| 011 | 669-5521 | KNOCK PIN 4X12 | 2 | |
| 022 | 669-5022 | PLUS BOLT 6X30 | 2 | |
| 024 | 669-5219 | S.WASHER 6 | 2 | |
| 028 | 668-8370 | HANDLE A COMP | 1 | |
| 029 | 668-7624 | HANDLE GRIP A | 1 | |
| 030 | 668-6401 | THROTTLE LEVER | 1 | |
| 034 | 669-5280 | TAP SCREW 4X14 P | 2 | |
| 035 | 669-4860 | SCREW 4X6 | 1 | |
| 036 | 668-8015 | CORD CLAMP | 2 | |
| 037 | 669-5019 | PLUS BOLT 6X16 | 1 | |
| 038 | 669-5219 | S.WASHER 6 | 1 | |
| 039 | 668-8372 | HANDLE COMP. B | 1 | |
| 040 | 668-6350 | HANDLE GRIP | 1 | |
| 041 | 669-5225 | S.WASHER 10 | 1 | |
| 044 | 669-3818 | THROTTLE BODY B | 1 | |
| 045 | 669-3795 | THROTTLE BODY A | 1 | |
| 046 | 668-7776 | STOP SWITCH COMP. | 1 | |
| 047 | 669-4588 | STOP BUTTON MARK | 1 | |
| 048 | 668-8366 | BUTTON STOP | 1 | |
| 049 | 668-4913 | SCREW 3X10 | 1 | |
| 050 | 668-6421 | THROTTLE LEVER SPRING | 1 | |
| 051 | 669-3988 | THROTTLE WIRE 400+30 | 1 | |
| 052 | 668-7535 | PROTECTION TUBE 345L | 1 | |
| 053 | 668-7420 | CHUCK HANDLE HOLDER | 1 | |
| 055 | 668-8404 | HANDLE SUPPORT COMP. | 1 | |
| 056 | 669-5219 | S.WASHER 6 | 2 | |
| 057 | 668-4792 | NUT M6 | 2 | |
| 058 | 668-7336 | CLUTCH CASE COMP. | 1 | |
| 066 | 669-5339 | SCREW 5X18/S | 4 | |



| REF. NUMBER | PARTS NUMBER | DESCRIPTION | QTY | SERIAL NUMBER |
|-------------|--------------|----------------|-----|---------------|
| 011 | 668-6379 | KEYLESS CHUCK | 1 | |
| 012 | 668-6780 | LOCKING BAR | 1 | |
| 015 | 668-6620 | HANDLE ADAPTOR | 1 | |
| 021 | 668-5998 | COMBI BOX PLUS | 1 | |



| REF. NUMBER | PARTS NUMBER | DESCRIPTION | Q'TY | SERIAL NUMBER |
|-------------|--------------|-------------------------|------|---------------|
| 001 | 669-4685 | SYMBOL MARK DW25EF(SRP) | 1 | |
| 003 | 669-4574 | CAUTION MARK | 1 | |
| 010 | 669-4474 | STARTER MARK S.START | 1 | |