

PARTS CATALOG

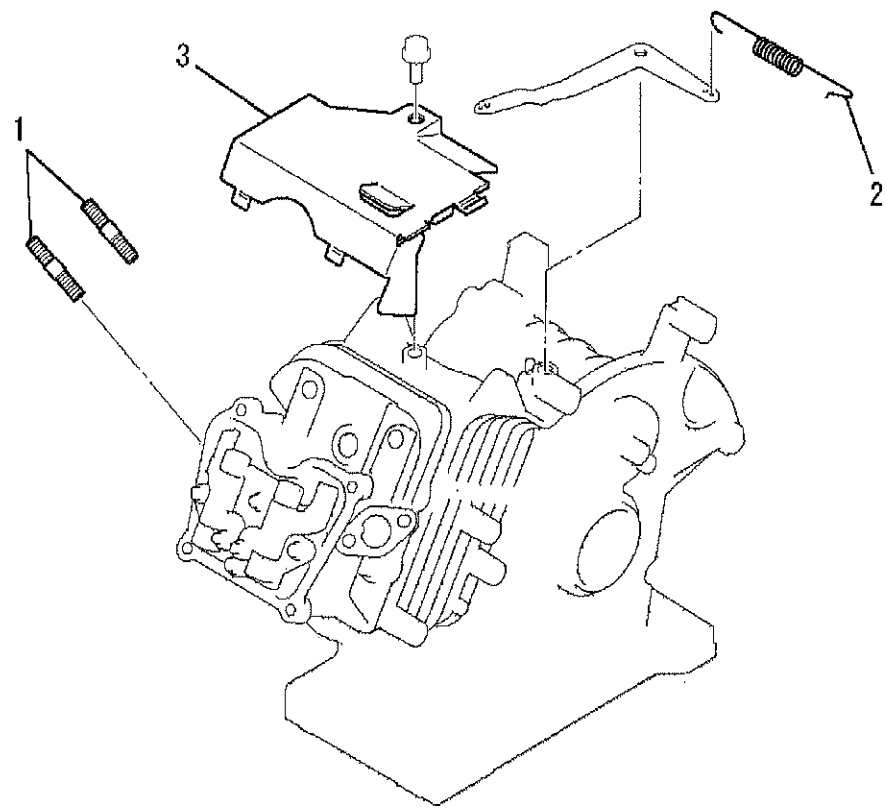
MITSUBISHI GENERATOR

MODEL E 2 4 S B(NC) (MGK2400-J52)

SEP., 2007

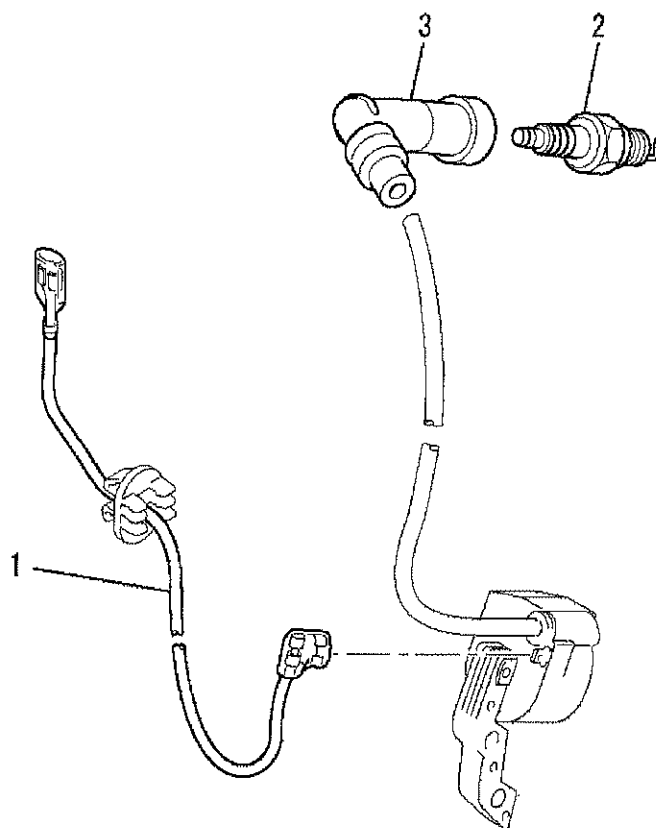
MITSUBISHI HEAVY INDUSTRIES, LTD.

1. BOLT, SPRING, COVER



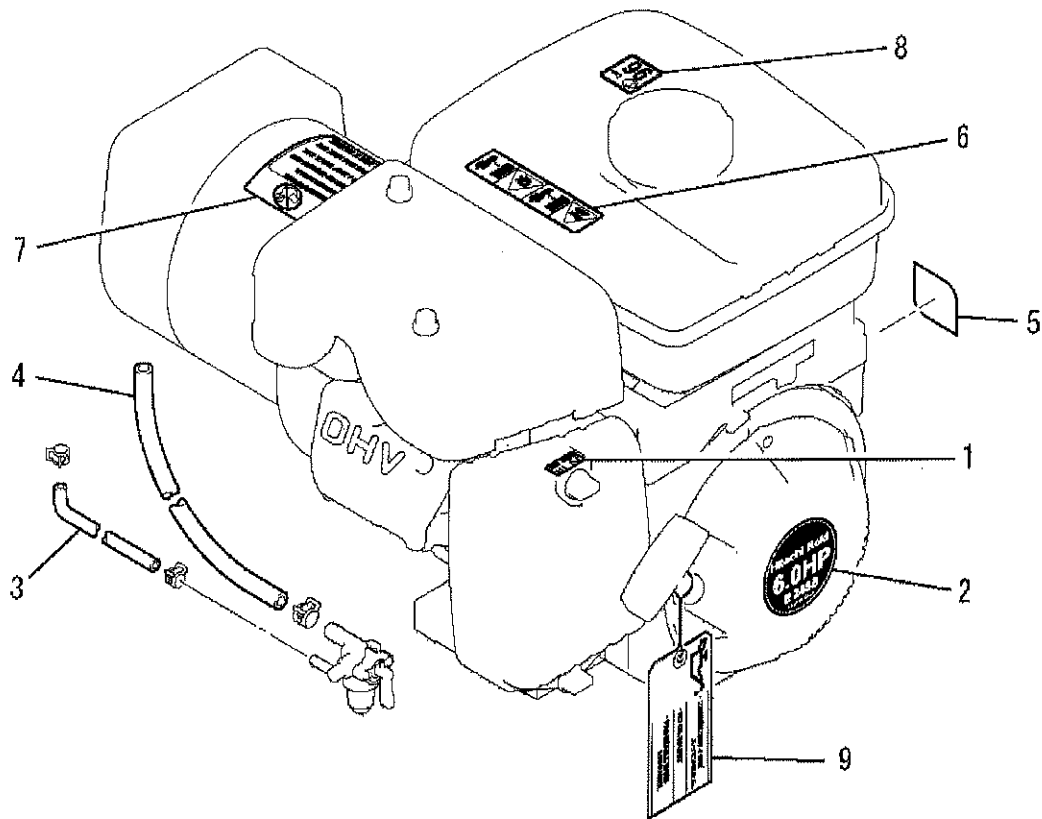
No.	R/N	Parts No.	Parts Name	No. Req'd	Inte	Remarks	Serial No. (From~To)
1		B155B08X020	BOLT, STUD	2			
2		KG34037HA	SPRING, GOV	1			
3		KH40073AA	COVER, TOP	1			

2. LEAD WIRE, PLUG, CAP



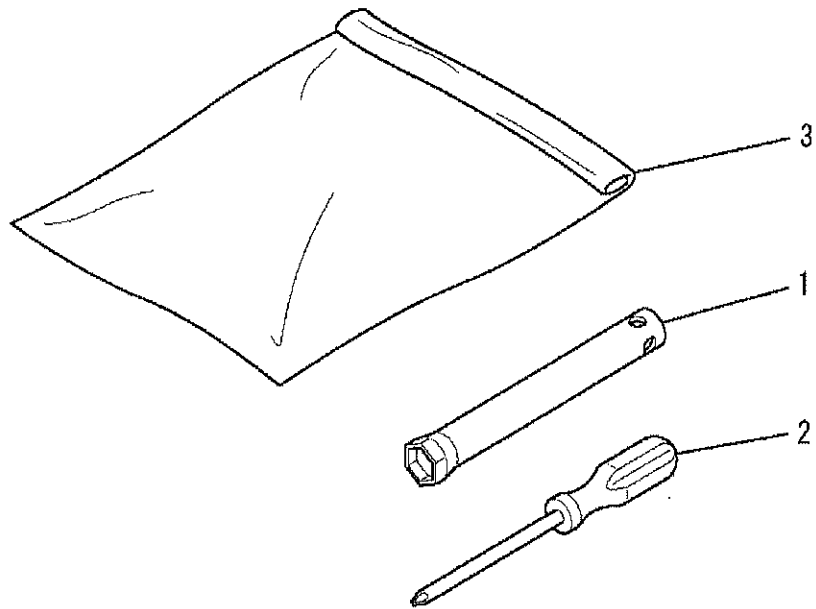
No.	R/N	Parts No.	Parts Name	No. Req'd	Inte	Remarks	Serial No. (From~To)
1		KE90069AA	WIRE, LEAD	1			
2		KE41009AA	PLUG, SPARK	1		BPR6HS	
3		KE42035AA	CAP, PLUG	1			

3. LABEL, FUEL HOSE



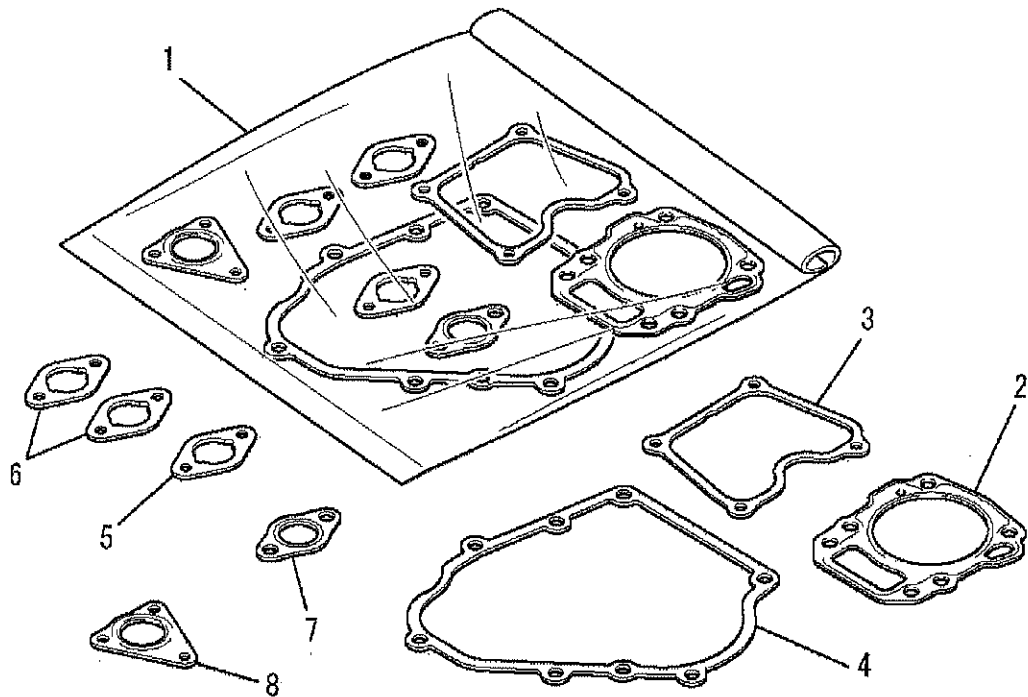
No.	R/N	Parts No.	Parts Name	No. Req'd	Inte	Remarks	Serial No. (From~To)
1		KW56109BA	LABEL, CHOKE	1			
2		KW52224CB	LABEL, NAME	1			
3		KF70025AA	HOSE, FUEL	1			
4		P051Y08X370	HOSE, FUEL	1			
5		KW56282CA	LABEL	1			
6		KW55047AA	LABEL	1			
7		KW55048DA	LABEL, CAUTION	1			
8		KW55055CA	LABEL	1			
9		KW56048AA	LABEL, CAUTION	1			

4. TOOL SET



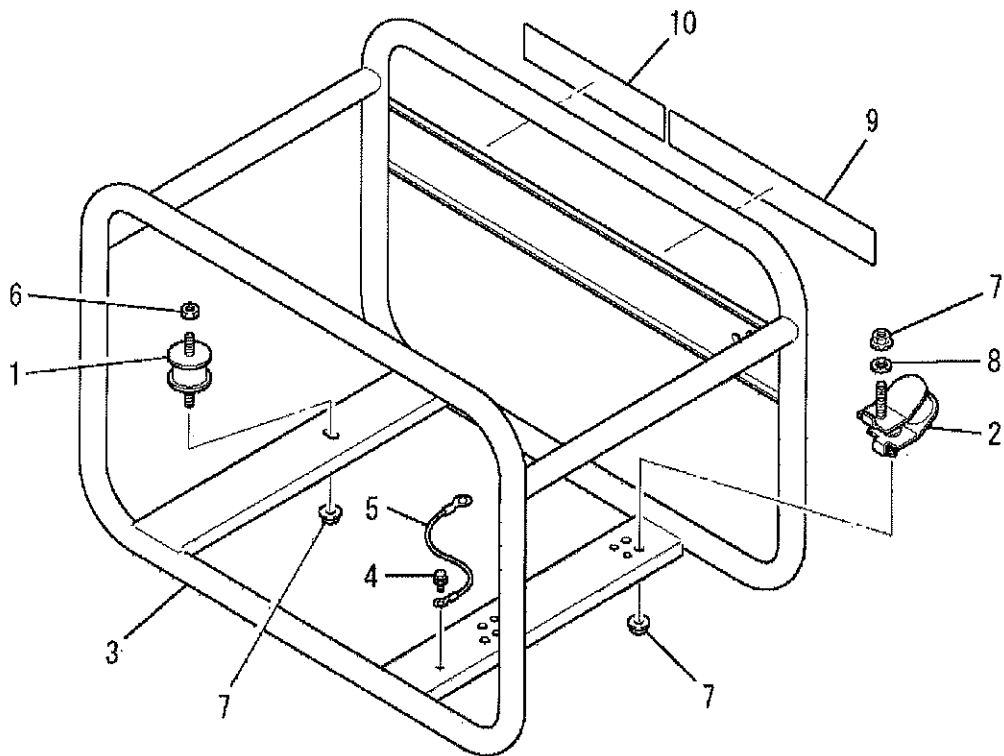
No.	R/N	Parts No.	Parts Name	No. Req'd	Inte	Remarks	Serial No. (From~To)
1		KN12004GA	SPANNER, BOX	1			
2		KN13001AA	DRIVER, SCREW	1			
3		FA21533D	BAG, TOOL	1			

5. GASKET SET



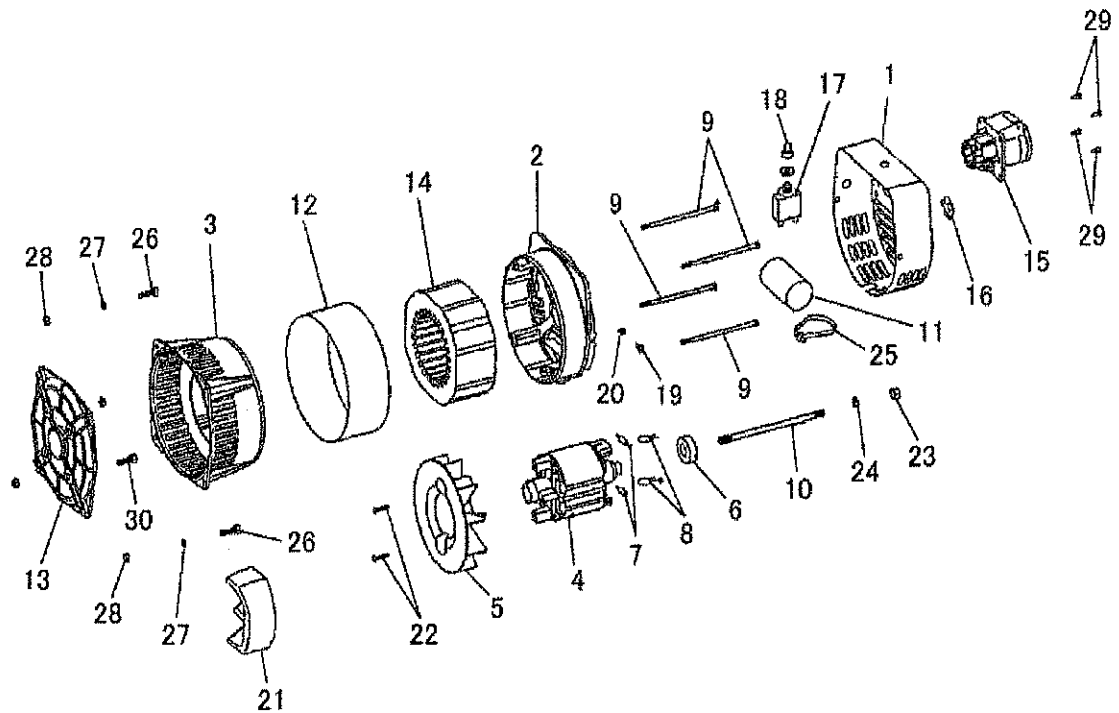
No.	R/N	Parts No.	Parts Name	No. Req'd	Inte	Remarks	Serial No. (From~To)
1		KW39081DA	GASKET SET	1		INCL. NO. 2-8	
2		KC66015AA	GASKET, HEAD	1			
3		KW33007AA	GASKET, HEAD COVER	1			
4		KW31015AA	GASKET, CRANKCASE	1			
5		KW34029AA	GASKET, CARBURETOR	1			
6		KW34029AA	GASKET, CARBURETOR	2			
7		KM70040AA	GASKET, MUFFLER	1			
8		KM70041AA	GASKET, MUFFLER	1			

6. FRAME & TANK



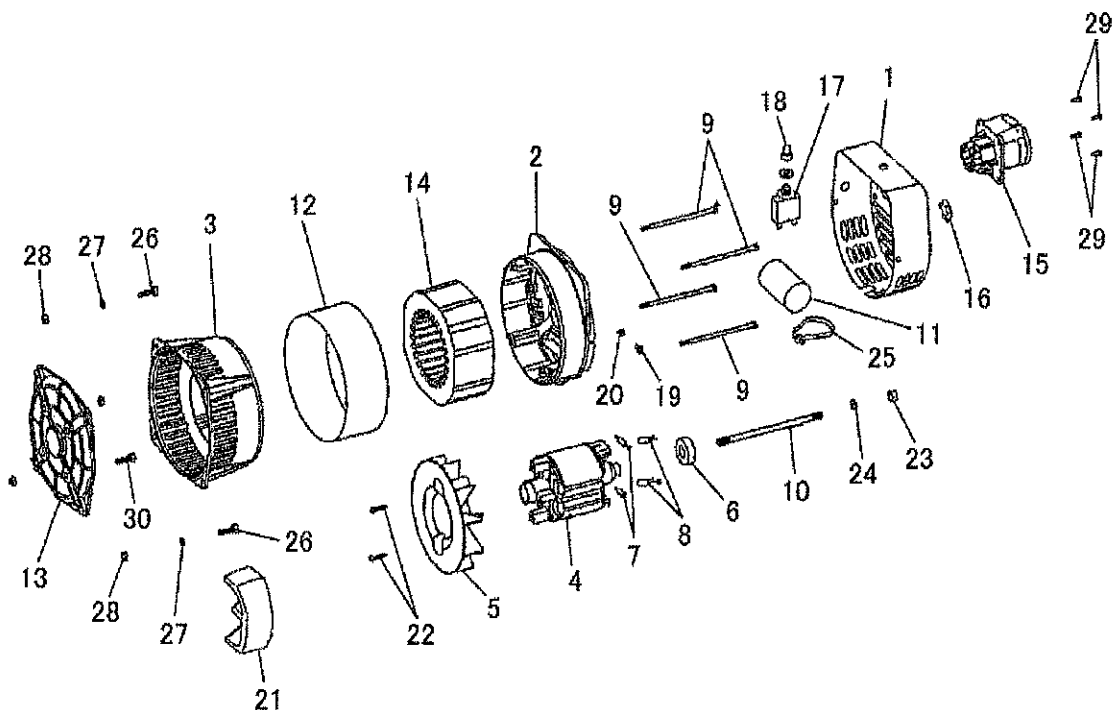
No.	R/N	Parts No.	Parts Name	No. Req'd	Inte	Remarks	Serial No. (From~To)
1		KYG060000660	MG RUBBER MOUNT	1			
2		KYG060000780	MG RUBBER MOUNT UN	2			
3		KY90080AA	MG FRAME	1		INCL. NO. 4	
4		B070A05X012	BOLT&WASHER	1			
5		KE90188AA	WIRE, LEAD	1			
6		N001A08	NUT	1			
7		N801A08	NUT, FLANGE	5			
8		W200H08	WASHER	2			
9		KW56139DA	LABEL, NAME	1			
10		KW56140BF	LABEL	1			

7. GRNERATOR



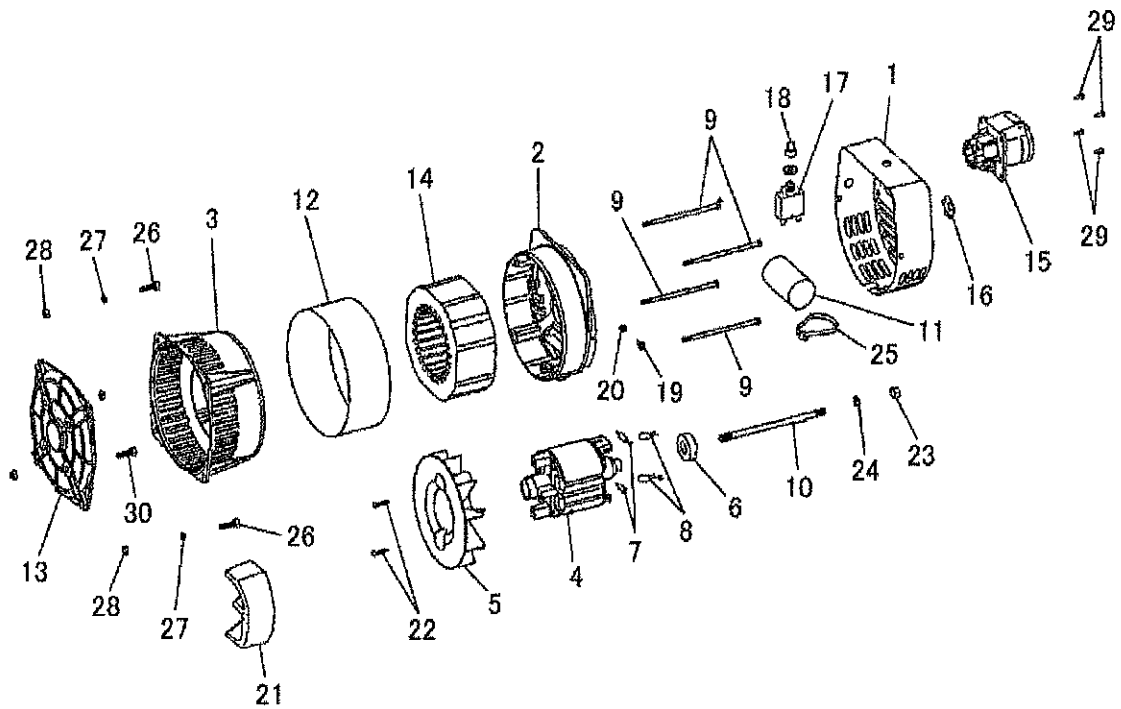
No.	R/N	Parts No.	Parts Name	No. Req'd	Inte	Remarks	Serial No. (From~To)
1		KY0390303432	MG TERMINAL BOX LID	1			
2		KY0390302217	MG N. D. END BRACKET	1			
3		KY0391700138	MG DRIVE END BRACKET	1			
4		KY0391602580	MG ROTOR ASSY 2.5KVA	1			
5		KY0392000030	MG FAN	1			
6		KY0390302530	MG REAR BEARING 6202	1			
7		KY0390400012	MG DIODES D2/125 25A	2			
8		KY0392000256	MG VALISTOR V350 K10	2			
9		KY0391800297	MG COVER STAY BOLT	4			
10		KY0391400925	MG SECURING STUD	1			
11		KY0390302364	MG CAPACITOR 2.2KVA	1			
12		KY0390601048	MG ENCLOSING BAND	1			

7. GRNERATOR



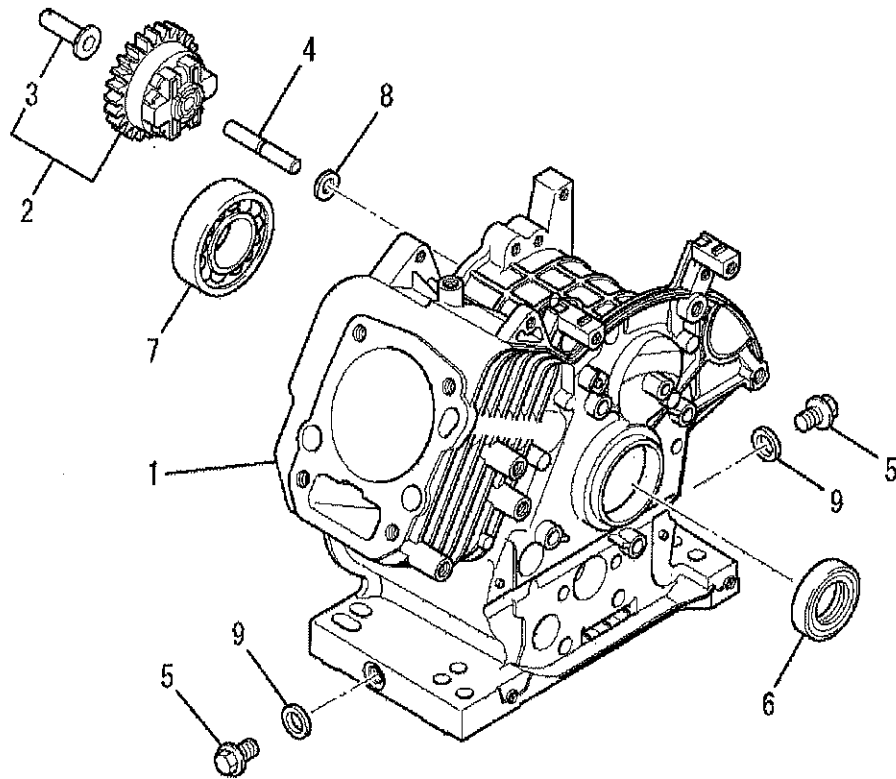
No.	R/N	Parts No.	Parts Name	No. Req'd	Inte	Remarks	Serial No. (From~To)
13		KY0390600169	MG FRANGE J609A	1			
14		KY0391703703	MG WOUND STATOR	1			
15		KY0391400803	MG SCHUKO SOCKET	2			
16		KY0391802005	MG RUBBER CAP	1			
17		KY0391100042	MG BREAKER 10A	1			
18		KY0390200749	MG WATER PROTECTION	1			
19		KY0392000308	MG BOLT	2			
20		KY0390400136	MG NUT	2			
21		KY0390301887	MG PROTECTOR	3			
22		KY0392000991	MG BOLT	2			
23		KY0390400145	MG NUT	1			
24		KY0391600344	MG WASHER	1			

7. GRNERATOR



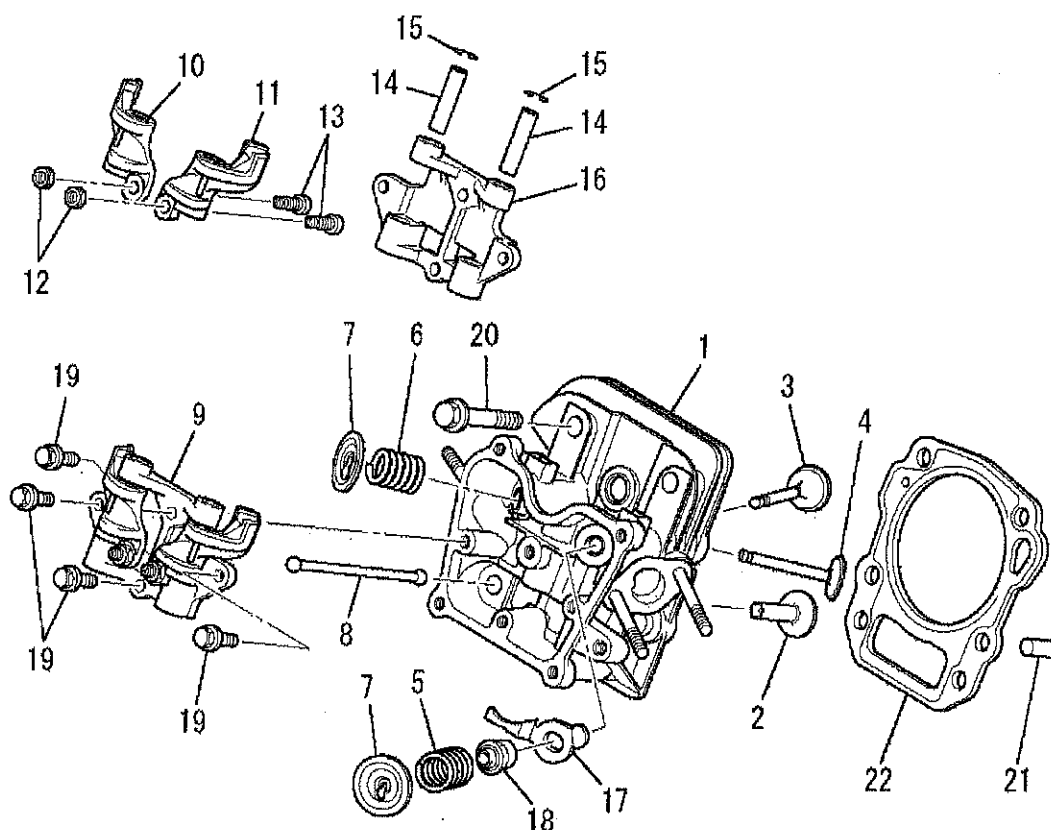
No.	R/N	Parts No.	Parts Name	No. Req'd	Inte	Remarks	Serial No. (From~To)
25		KY0390601060	MG BAND	1			
26		KY0392000500	MG BOLT	4			
27		KY0391600337	MG WASHER	4			
28		KY0390400135	MG NUT	4			
29		KY0392000980	BOLT	8			
30		KU14042AA	BOLT, FLANGE	4			

(A) CYLINDER BLOCK GROUP



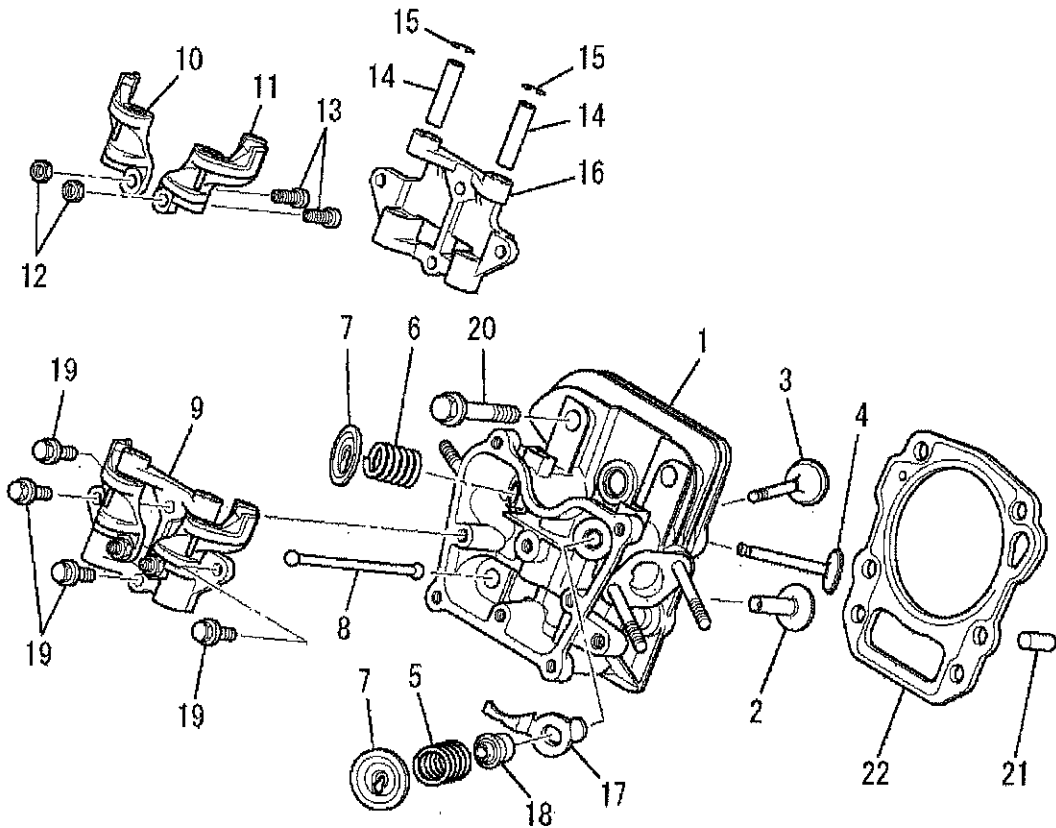
No.	R/N	Parts No.	Parts Name	No. Req'd	Inte	Remarks	Serial No. (From~To)
1		KB44011CA	CYLINDER BLOCK	1			
2		KG01003BA	GOVERNOR GEAR ASSY	1		INCL. NO. 3	
3		KG14004AA	SLIDER, GOV	1			
4		KG22004AA	SHAFT, GOV	1			
5		KL22003AA	PLUG, DRAIN	2			
6		KW25009AA	OIL SEAL	1			
7		S111X62X050	BEARING, BALL	1		#6205	
8		W200H06	WASHER	1			
9		KW39070AA	GASKET	2			

(B) CYLINDER HEAD GROUP



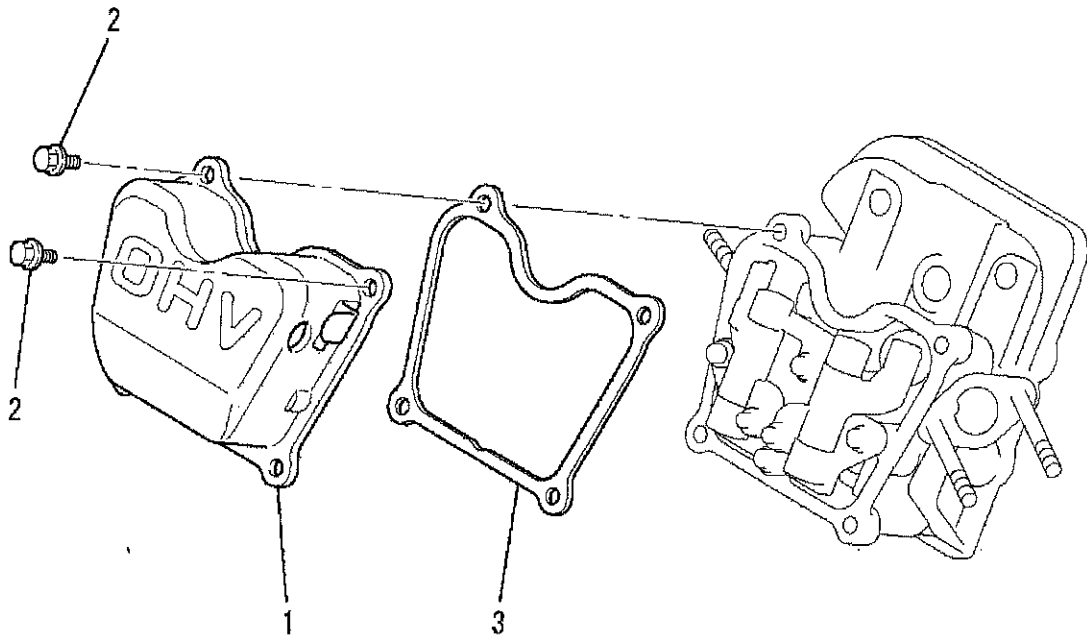
No.	R/N	Parts No.	Parts Name	No. Req'd	Inte	Remarks	Serial No. (From~To)
1		KC02046AA	CYLINDER HEAD ASSY	1		WITH B155B06X075	
2		KV24007AA	TAPPET	2			
3		KV34005AA	VALVE, INTAKE	1			
4		KV43007AA	VALVE, EXHAUST	1			
5		KV55005AA	SPRING, VALVE	1			
6		KV55008AA	SPRING, VALVE	1			
7		KV64002AA	RETAINER, VALVE SPG	2			
8		KV71012BA	ROD, PUSH	2			
9		KV02003BA	ROCKER ARM ASSY	1		INCL. NO. 10-16	
10		KV72010AA	ARM, ROCKER	1			
11		KV72011AA	ARM, ROCKER	1			
12		KU23013AA	NUT	2			

(B) CYLINDER HEAD GROUP



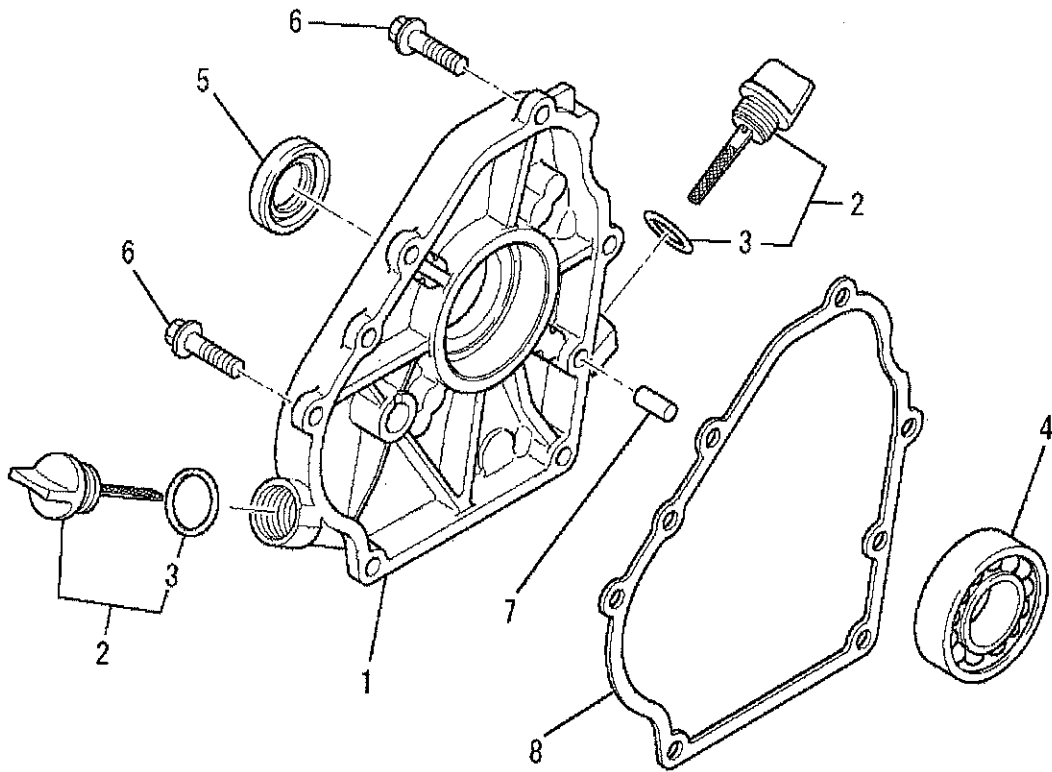
No.	R/N	Parts No.	Parts Name	No. Req'd	Inte	Remarks	Serial No. (From~To)
13		KV73004AA	SCREW, ADJUST	2			
14		KV75009BA	SHAFT	2			
15		FR34111	CLIP, PISTON PIN	2			
16		KV74008AA	PLATE	1			
17		KV90016AA	PLATE	1			
18		KW21023AA	SEAL, VALVE STEM	1			
19		B800A06X016	BOLT, FLANGE	4			
20		B800B08X055	BOLT, FLANGE	4			
21		KU44001AA	PIN, DOWEL	2			
22		KC66015AA	GASKET, HEAD	1			

(C) HEAD COVER GROUP



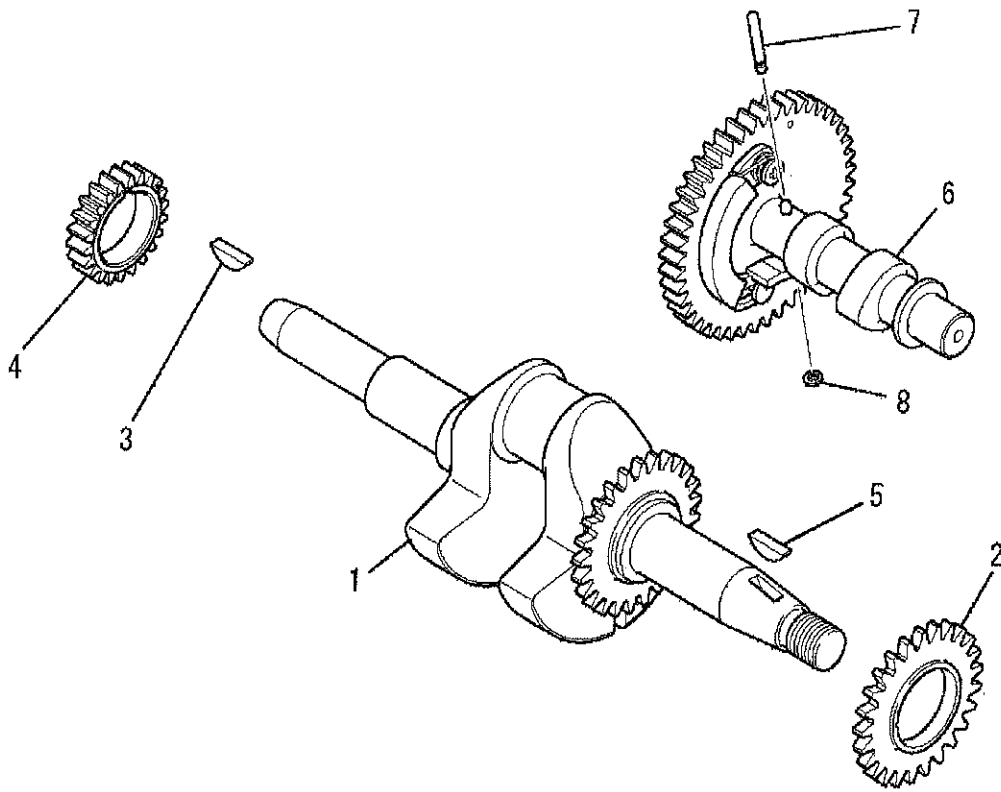
No.	R/N	Parts No.	Parts Name	No. Req'd	Inte	Remarks	Serial No. (From~To)
1		KC09014AA	COVER, HEAD	1			
2		B800A06X012	BOLT, FLANGE	4			
3		KW33007AA	GASKET, HEAD COVER	1			

(D) CASE COVER GROUP



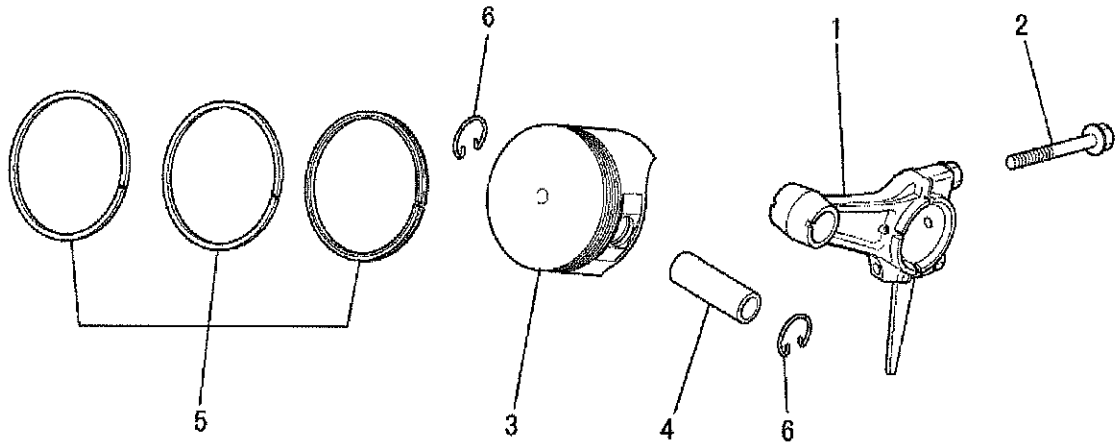
No.	R/N	Parts No.	Parts Name	No. Req'd	Inte	Remarks	Serial No. (From~To)
1		KB64008FA	COVER, CRANKCASE	1			
2		KL21006CA	GAUGE, OIL	2		INCL. NO. 3	
3		KW23003AA	O-RING	2			
4		KW11012AA	BEARING, BALL	1			
5		KW25008AA	OIL SEAL	1			
6		B800B08X030	BOLT, FLANGE	6			
7		KU44001AA	PIN, DOWEL	2			
8		KW31015AA	GASKET, CRANKCASE	1			

(E) CRANKSHAFT GROUP



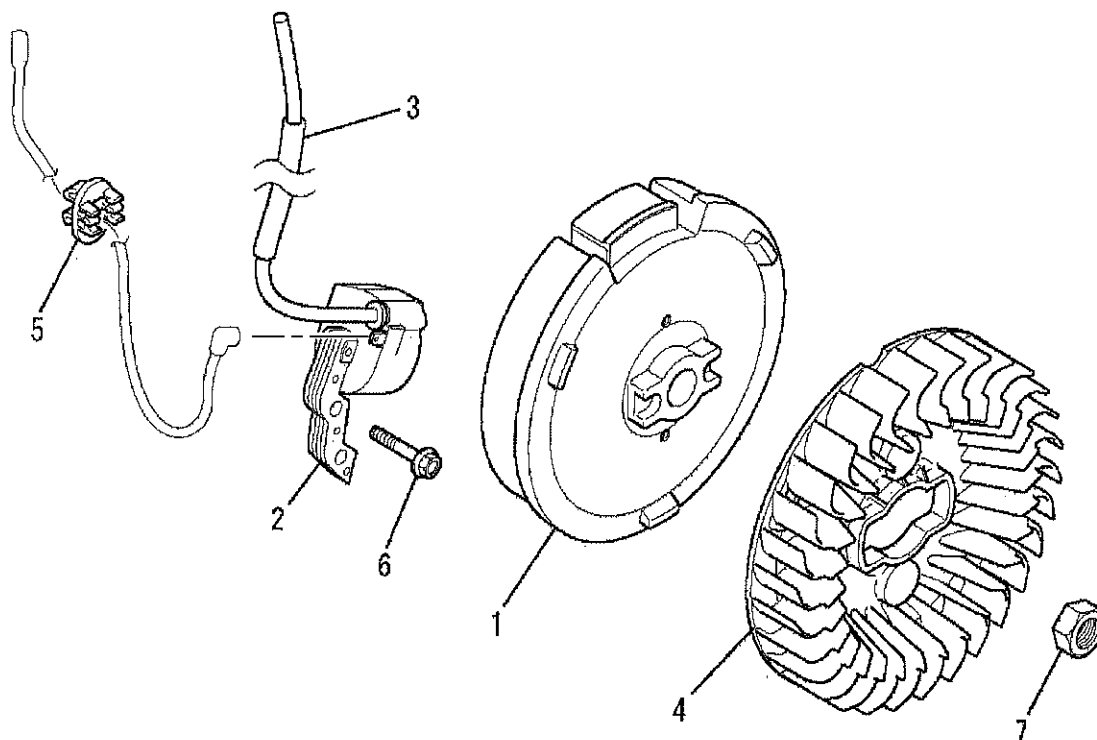
No.	R/N	Parts No.	Parts Name	No. Req'd	Inte	Remarks	Serial No. (From~To)
1		KD02077CA	CRANKSHAFT ASSY	1		INCL. NO. 2, 3	
2		KD63049AA	GEAR	1			
3		KD90016AA	KEY, WOODRUFF	1			
4		KD63035AA	GEAR, CRANKSHAFT	1			
5		KD90016AA	KEY, WOODRUFF	1			
6		KV01199BA	CAMSHAFT GEAR ASSY	1		INCL. NO. 7, 8	
7		KV83009AG	PIN	1			
8		S500P03	SNAP RING	1			

(F) PISTON & ROD GROUP



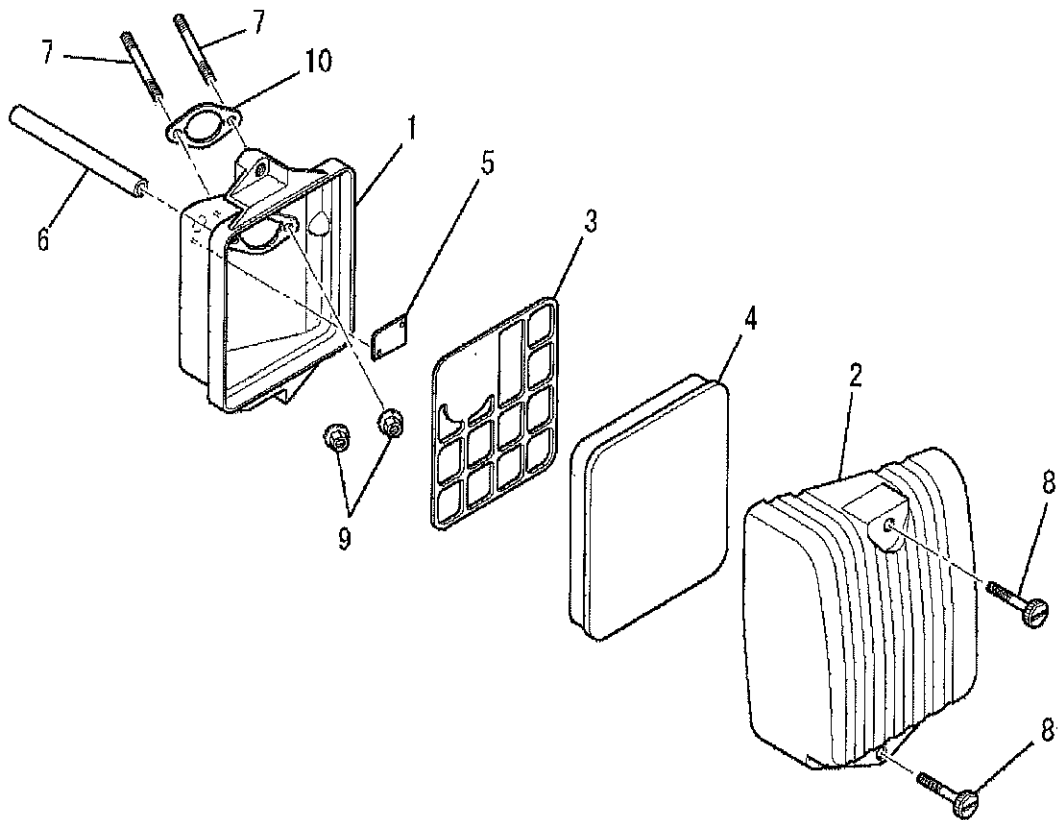
No.	R/N	Parts No.	Parts Name	No. Req'd	Inte	Remarks	Serial No. (From~To)
1		KD03024AA	CONNECTING ROD ASSY	1		STD INCL. NO. 2	
1	1	KD03024BA	CONNECTING ROD ASSY	1		US 0.25 INCL. NO. 2	
1	2	KD03024CA	CONNECTING ROD ASSY	1		US 0.50 INCL. NO. 2	
2		B800B06X030	BOLT, FLANGE	2			
3		KP16008AA	PISTON	1		STD	
3	1	KP16008BA	PISTON	1		OS 0.25	
3	2	KP16008CA	PISTON	1		OS 0.50	
4		KP55005AA	PIN, PISTON	1			
5		KP02019AA	PISTON RING SET	1		STD	
5	1	KP02019BA	PISTON RING SET	1		OS 0.25	
5	2	KP02019CA	PISTON RING SET	1		OS 0.50	
6		KP90003AA	CLIP, PISTON PIN	2			

(G) MAGNETO GROUP



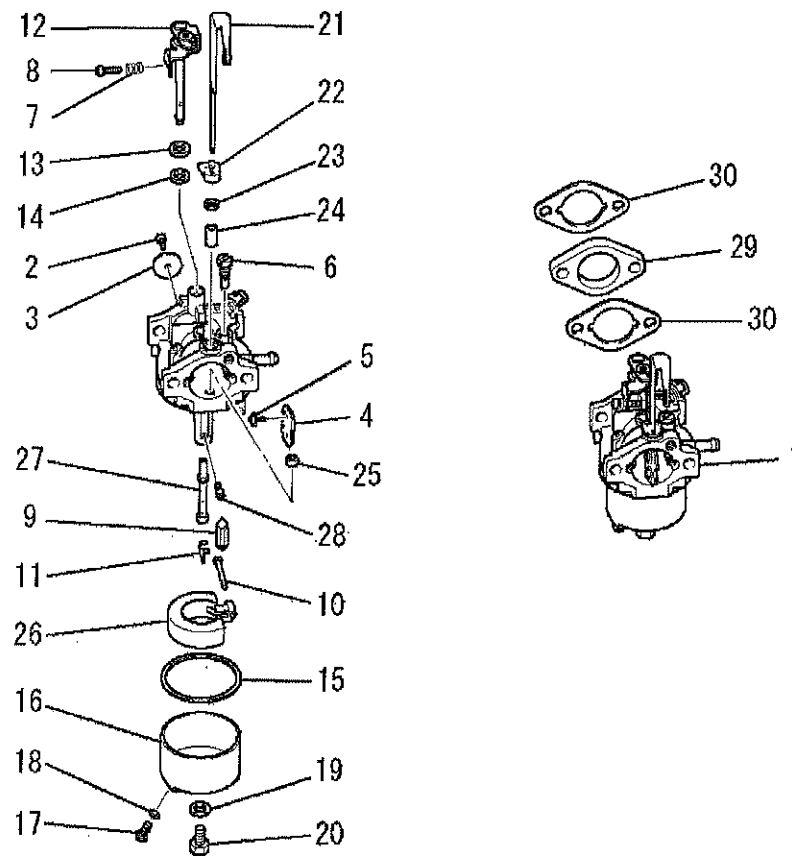
No.	R/N	Parts No.	Parts Name	No. Req'd	Inte	Remarks	Serial No. (From~To)
1		KE12038AA	FLYWHEEL	1			
2		KE24016AA	COIL, IGNITION	1			
3		KE90073BA	TUBE	1			
4		KE90202AA	FAN	1			
5		KU70007AA	CLIP	1			
6		B805B06X020	BOLT, FLANGE	2			
7		FR41231	NUT	1			

(H) AIR CLEANER GROUP



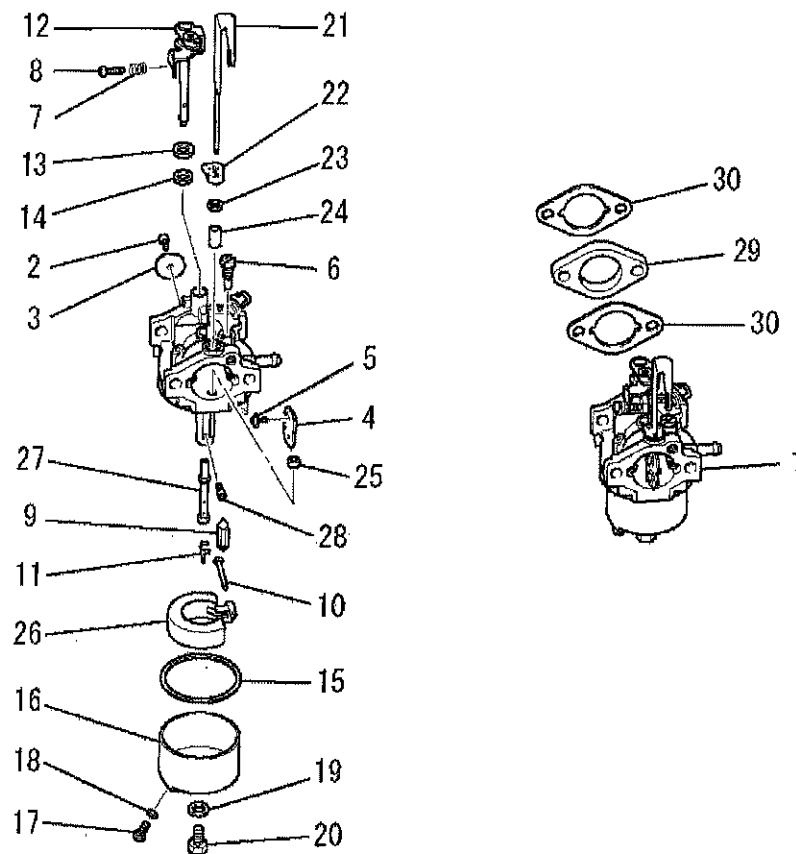
No.	R/N	Parts No.	Parts Name	No. Req'd	Inte	Remarks	Serial No. (From~To)
1		KA11022AA	CASE, CLEANER	1			
2		KA20054AA	COVER, CLEANER	1			
3		KA30024BA	GRID	1			
4		KA40074AA	ELEMENT, CLEANER	1			
5		KA90122AA	PLATE	1			
6		ZZ70002L	TUBE, BREATHER	1			
7		B155B06X075	BOLT, STUD	2			
8		KA90124AA	BOLT	2			
9		N801A06	NUT, FLANGE	2			
10		KW34029AA	GASKET, CARBURETOR	1			

(I) CARBURETOR GROUP



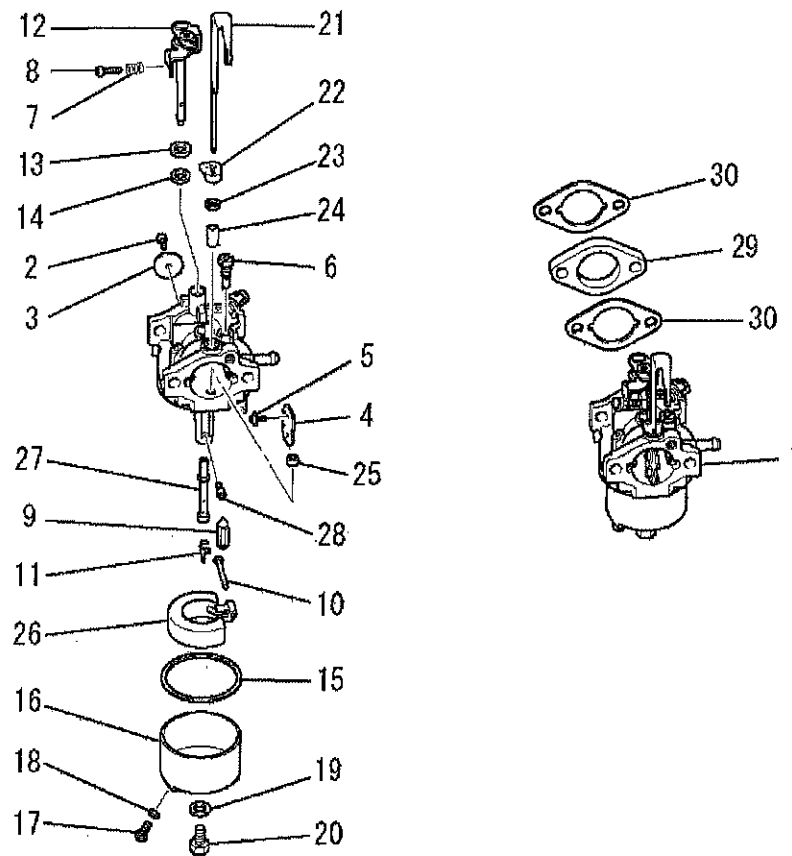
No.	R/N	Parts No.	Parts Name	No. Req'd	Inte	Remarks	Serial No. (From~To)
1		KK13033AB	CARBURETOR (F)	1		INCL. NO. 2-28	
2		KK15016AA003	SCREW	1			
3		KK13018AA003	VALVE, THROTTLE	1			
4		KK13018AA004	VALVE, CHOKE	1			
5		KK15016AA005	SCREW	2			
6		KK74508BA450	JET, PILOT	1			
7		KK13018AA026	SPRING	1			
8		KK13023DB027	SCREW	1			
9		KK13030DB001	VALVE, NEEDLE	1			
10		KK12008AE012	PIN	1			
11		KK12008AE011	CLIP	1			
12		KK13023DB112	SHAFT, THROTTLE	1			

(I) CARBURETOR GROUP



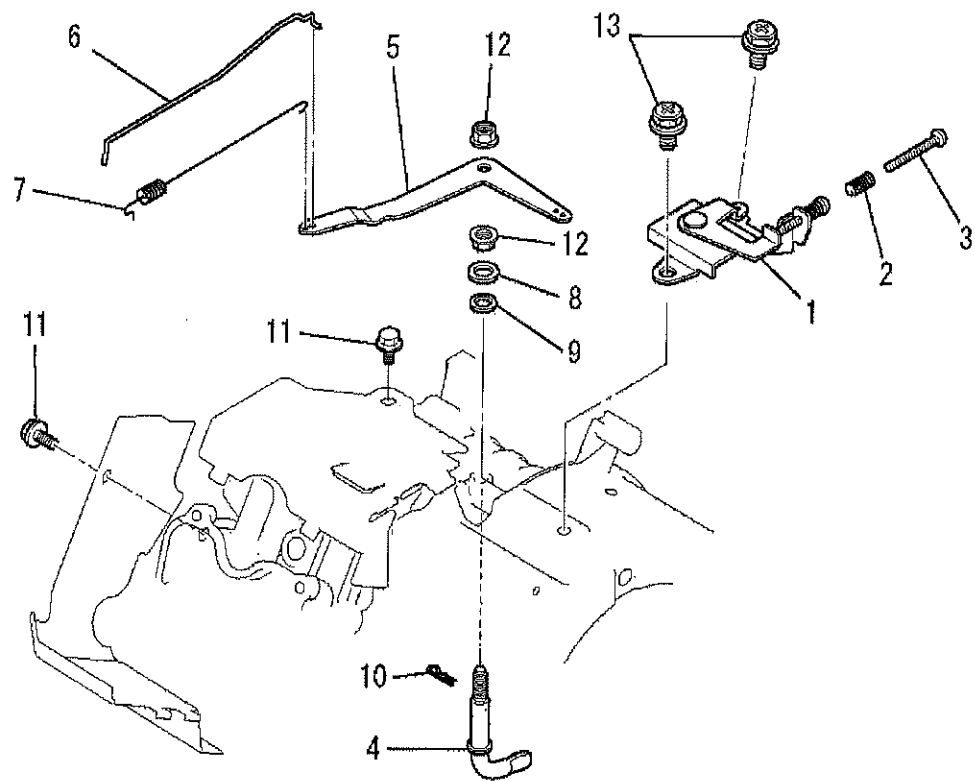
No.	R/N	Parts No.	Parts Name	No. Req'd	Inte	Remarks	Serial No. (From~To)
13		KK13023DB031	PACKING	1			
14		KK12008AE016	SEAL	1			
15		KK14001AA018	GASKET	1			
16		KK13023DB015	CHAMBER, FLOAT	1		INCL. NO. 17, 18	
17		KK13023DB028	BOLT	1			
18		KK13018AB001	PACKING	1			
19		KK12008AE026	PACKING	1			
20		KK13018AA017	BOLT	1			
21		KK12015DX017	LEVER, CHOKE	1			
22		KK12008AE018	RING	1			
23		KK12008AE019	SEAL	1			
24		KK12008AE020	RING	1			

(I) CARBURETOR GROUP



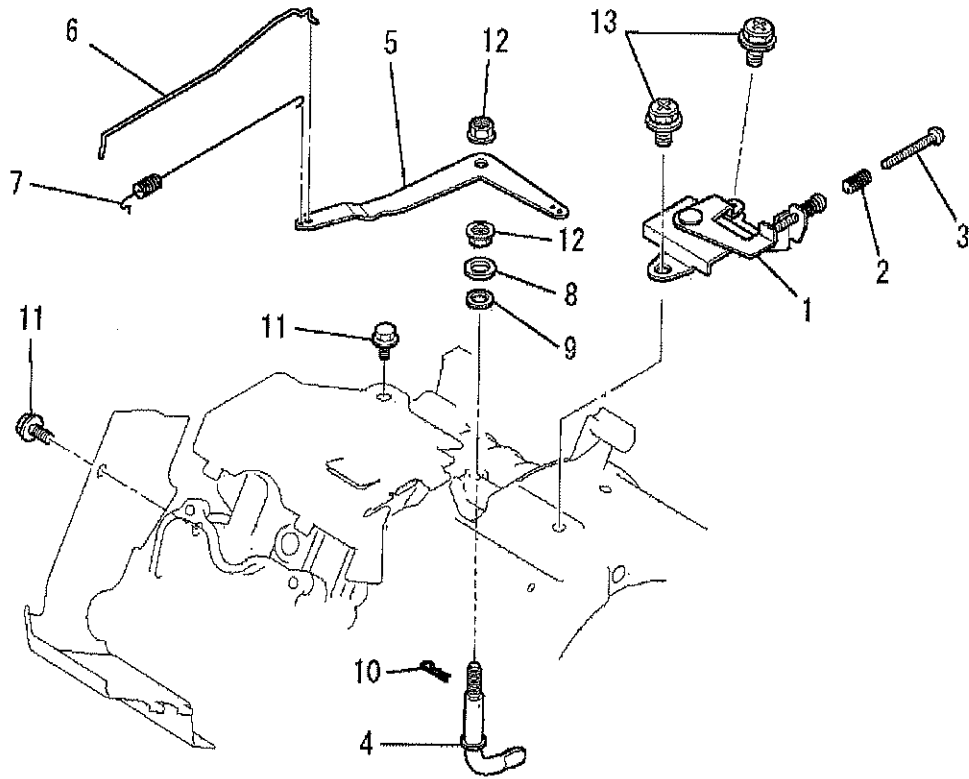
No.	R/N	Parts No.	Parts Name	No. Req'd	Inte	Remarks	Serial No. (From~To)
25		KK12008AE021	RING	1			
26		KK12008AE013	FLOAT	1			
27		KK74524BA012	NOZZLE, MAIN	1			
28		KK74525CA750	JET, MAIN	1			
29		KK33005AA	INSULATOR	1			
30		KW34029AA	GASKET, CARBURETOR	2			

(J) CONTROL PANEL GROUP



No.	R/N	Parts No.	Parts Name	No. Req'd	Inte	Remarks	Serial No. (From~To)
1		KG03031AA	PANEL, CONTROL	1		INCL. NO. 2, 3	
2		KU80013AA	SPRING	1			
3		KU14038AA	SCREW, PAN-CRS	1			
4		KG22014AA	SHAFT, GOV	1			
5		KG31020AA	LEVER, GOV	1			
6		KG41023AA	ROD, GOV	1			
7		KG42024AA	SPRING, ROD	1			
8		KG90015AA	WASHER	1			
9		KG90016AA	SEAL, DUST	1			
10		KU70006AA	CLIP	1			
11		B805B06X012	BOLT, FLANGE	2			
12		FR42734	NUT, FLANGE	2			

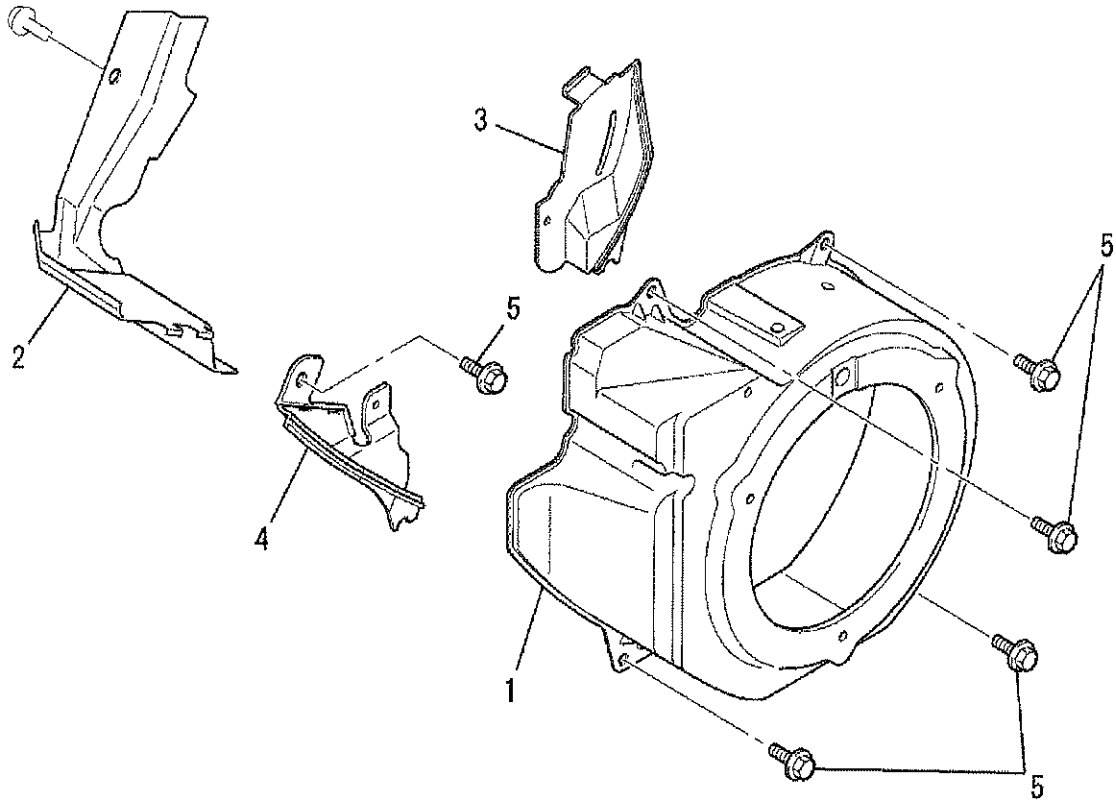
(J) CONTROL PANEL GROUP



No.	R/N	Parts No.	Parts Name	No. Req'd	Inte	Remarks	Serial No. (From~To)
-----	-----	-----------	------------	-----------	------	---------	----------------------

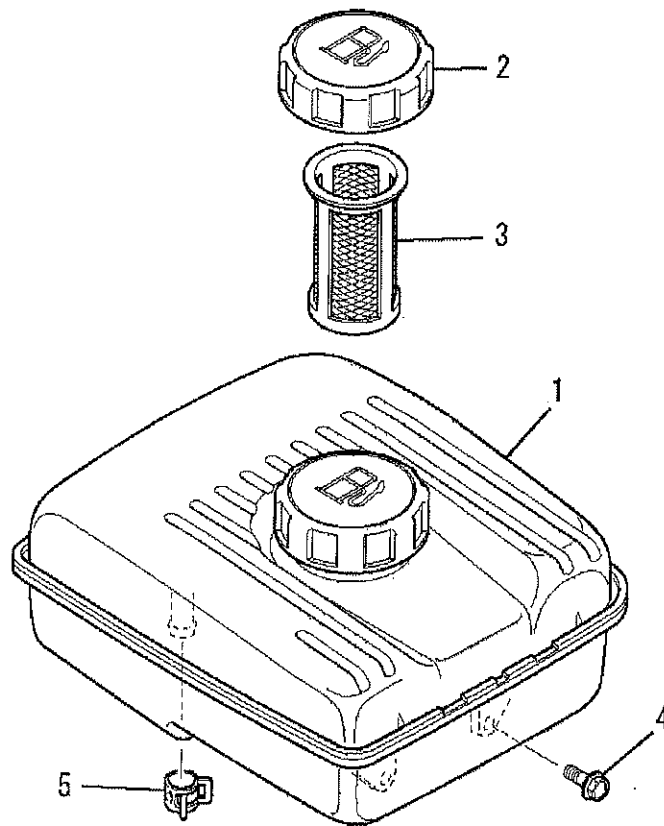
13		KU13014BA	BOLT&WASHER	2			
----	--	-----------	-------------	---	--	--	--

(K) FAN COVER GROUP



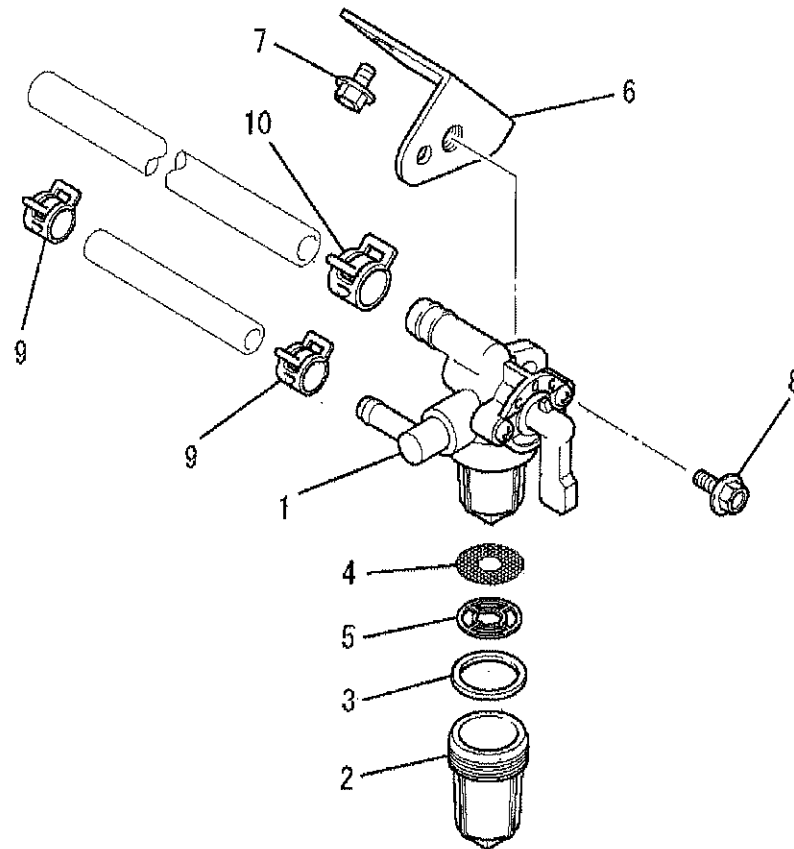
No.	R/N	Parts No.	Parts Name	No. Req'd	Inte	Remarks	Serial No. (From~To)
1		KH27029BH	COVER, FAN	1			
2		KH40067BA	COVER, CYLINDER	1			
3		KH90054AA	COVER	1			
4		KH90055BA	COVER	1			
5		B805B06X012	BOLT, FLANGE	5			

(M) TANK GROUP



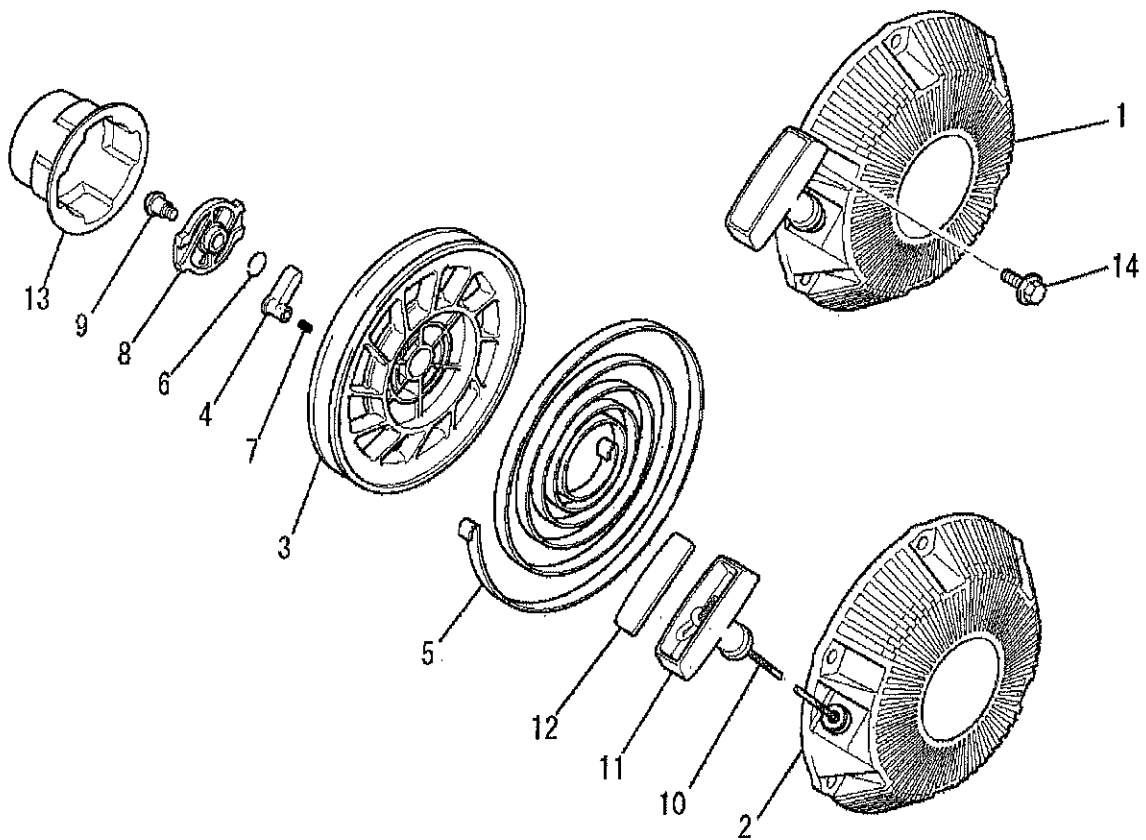
No.	R/N	Parts No.	Parts Name	No. Req'd	Inte	Remarks	Serial No. (From~To)
1		KF04103CD	FUEL TANK ASSY	1		INCL. NO. 2, 3	
2		KF05021AA	TANK CAP ASSY	1			
3		KF40003DA	FILTER, FUEL	1			
4		B805B06X025	BOLT, FLANGE	4			
5		FR67419	CLIP	1			

(N) COCK GROUP



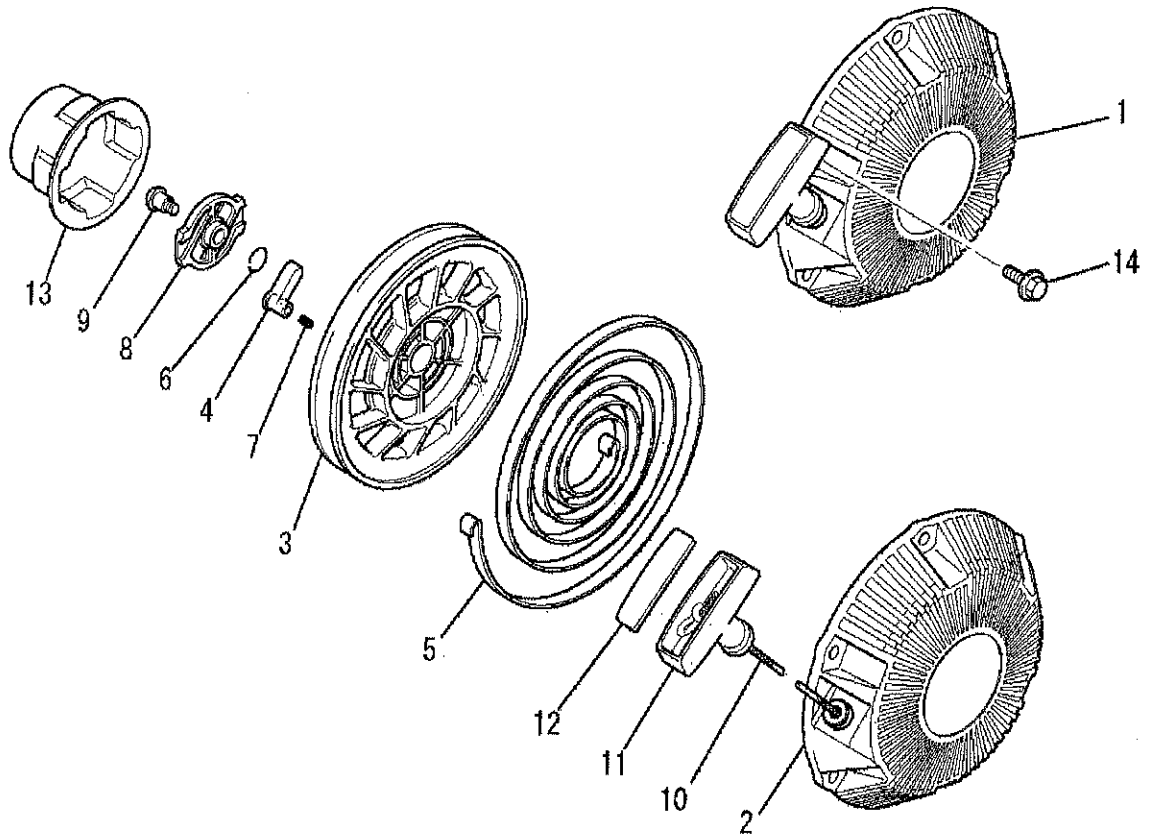
No.	R/N	Parts No.	Parts Name	No. Req'd	Inte	Remarks	Serial No. (From~To)
1		KF31040AA	COCK, FUEL	1		INCL. NO. 2-5	
2		KF31036AA106	CUP	1			
3		KF31035AA102	PACKING	1			
4		KF31035AA003	FILTER, FUEL	1			
5		KF31035AA012	PACKING	1			
6		KF90136AA	BRACKET, FUEL COCK	1			
7		B800A06X008	BOLT, FLANGE	2			
8		B800A06X012	BOLT, FLANGE	1			
9		FR53226	CLIP	2			
10		FR67419	CLIP	1			

(R) RECOIL STARTER GROUP



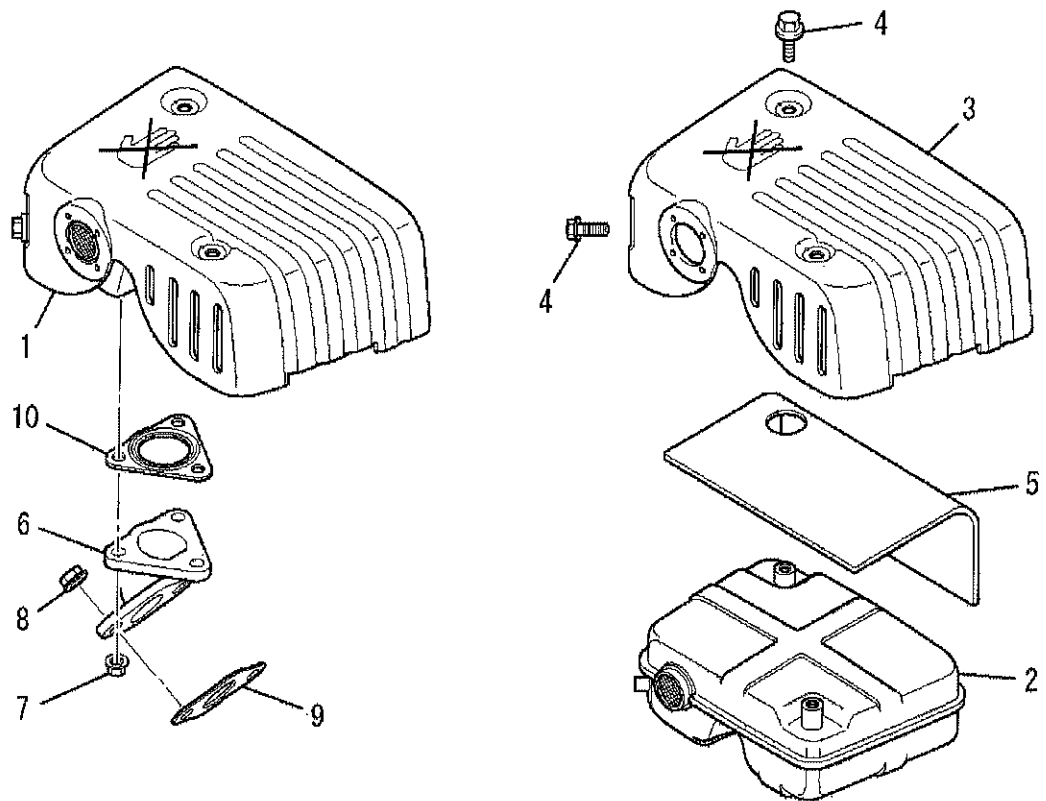
No.	R/N	Parts No.	Parts Name	No. Req'd	Inte	Remarks	Serial No. (From~To)
1		KS02062AD	RECOIL STARTER ASSY	1		INCL. NO. 2-13	
2		KS20081AD001	CASE, STARTER	1			
3		KS20081AD002	REEL	1			
4		KS20081AD003	RATCHET	2			
5		KS20081AD004	SPRING, SPIRAL	1			
6		KS20020AD006	SPRING, RETURN	1			
7		KS20020AD007	SPRING, RETURN	2			
8		KS20081AD007	GUIDE	1			
9		KS20081AD008	SCREW	1			
10		KS20081AD010	ROPE, STARTER	1			
11		KS20081AD011	KNOB, STARTER	1			
12		KS20081AD012	CAP	1			

(R) RECOIL STARTER GROUP



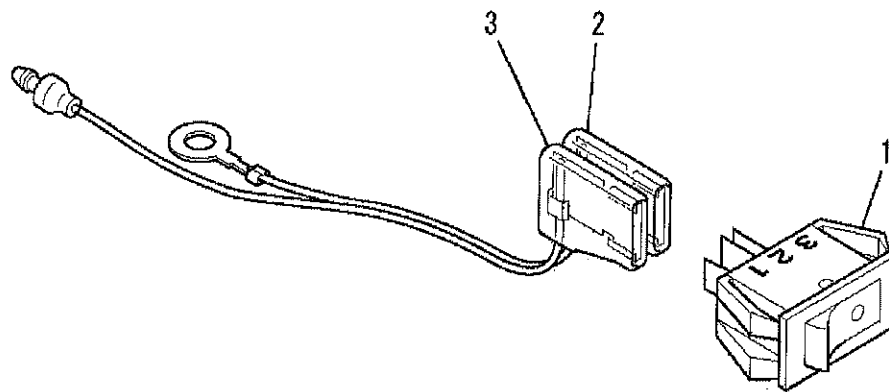
No.	R/N	Parts No.	Parts Name	No. Req'd	Inte Remarks	Serial No. (From~To)
13		KS30040AA	PULLEY, STARTER	1		
14		B800A06X016K	BOLT, FLANGE	3		

(S) MUFFLER GROUP



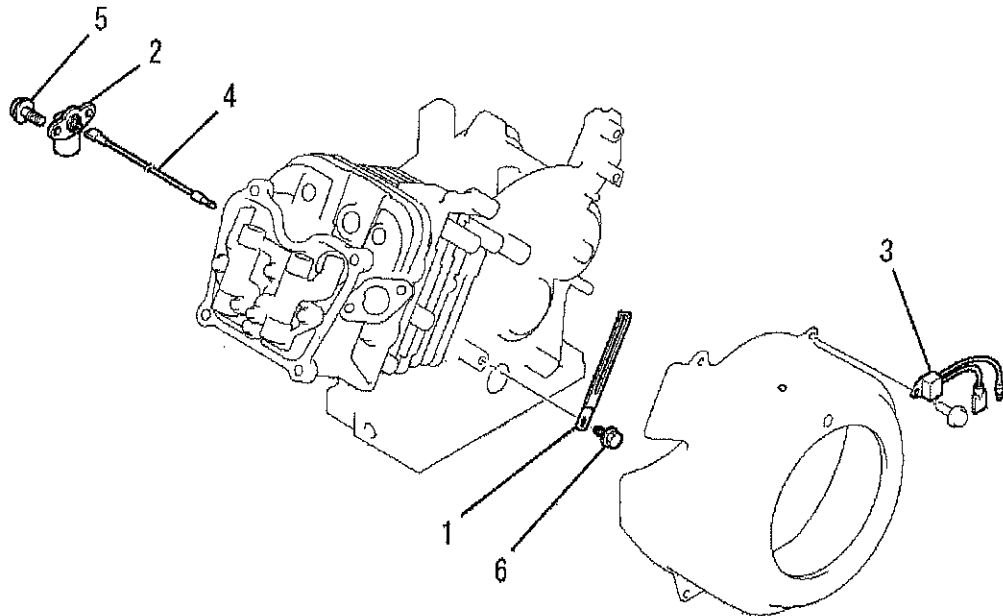
No.	R/N	Parts No.	Parts Name	No. Req'd	Inte	Remarks	Serial No. (From~To)
1		KM02115AA	MUFFLER ASSY	1		INCL. NO. 2-5	
2		KM15079BA	MUFFLER	1			
3		KM25065AA	COVER, MUFFLER	1			
4		B800A06X008K	BOLT, FLANGE	3			
5		KM90141AA	GLASS WOOL	1			
6		KM30009AA	PIPE, EXHAUST	1			
7		N801A06	NUT, FLANGE	3			
8		ZZ70028C	NUT, CONICAL SPG	2			
9		KM70040AA	GASKET, MUFFLER	1			
10		KM70041AA	GASKET, MUFFLER	1			

(U) SWITCH GROUP



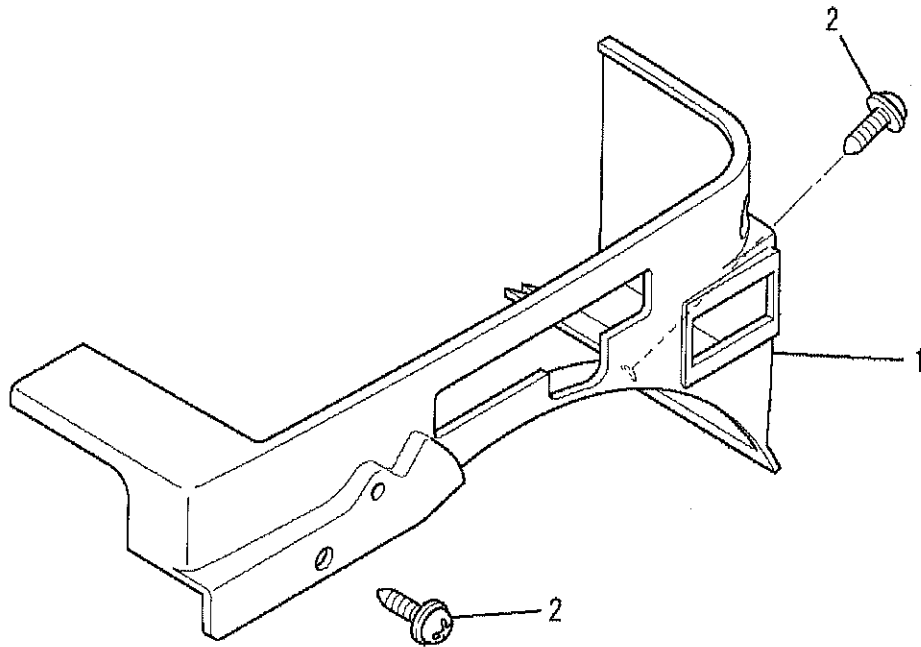
No.	R/N	Parts No.	Parts Name	No. Req'd	Inte	Remarks	Serial No. (From~To)
1		KE80014AA	SWITCH, STOP	1			
2		KE90108AA	WIRE, LEAD	1			
3		KE90110AA	WIRE, LEAD	1			

(W) OIL SENSOR GROUP



No.	R/N	Parts No.	Parts Name	No. Req'd	Inte	Remarks	Serial No. (From~To)
1		FR64917	CLAMP	1			
2		KE09033AA	SENSOR, OIL	1			
3		KE34001BA	UNIT	1			
4		KE90013BA	WIRE, LEAD	1			
5		B800A06X012	BOLT, FLANGE	2			
6		KU12030AA	BOLT, FLANGE	1			

(X) COVER GROUP



No.	R/N	Parts No.	Parts Name	No. Req'd	Inte	Remarks	Serial No. (From~To)
1		KR40031BB	COVER, FRONT	1			
2		KU12025AA	TAP-SCREW	2			