

PARTS CATALOG

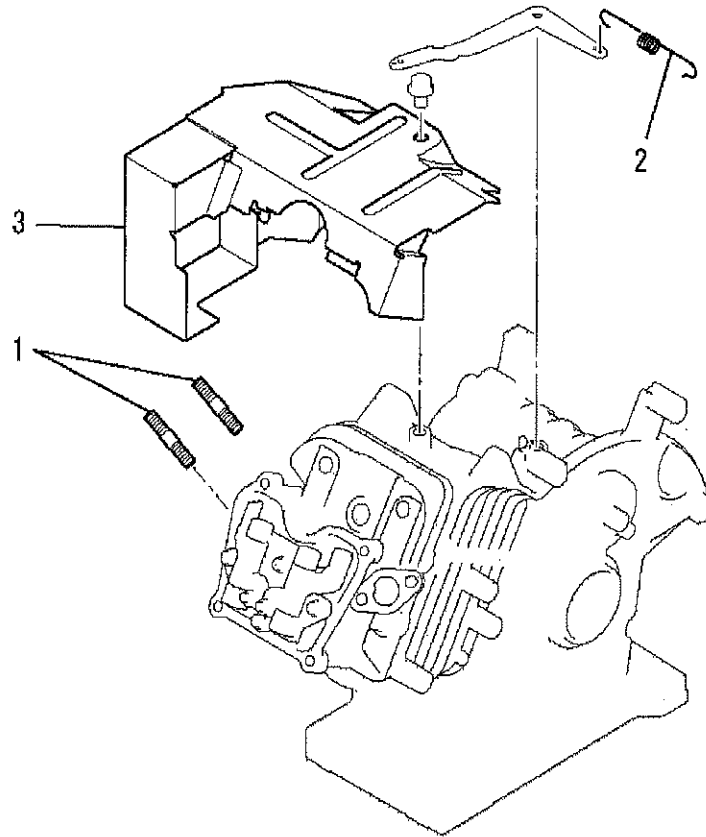
MITSUBISHI GENERATOR

MODEL E 2 4(NC) (MGE2901-J52)

AUG., 2007

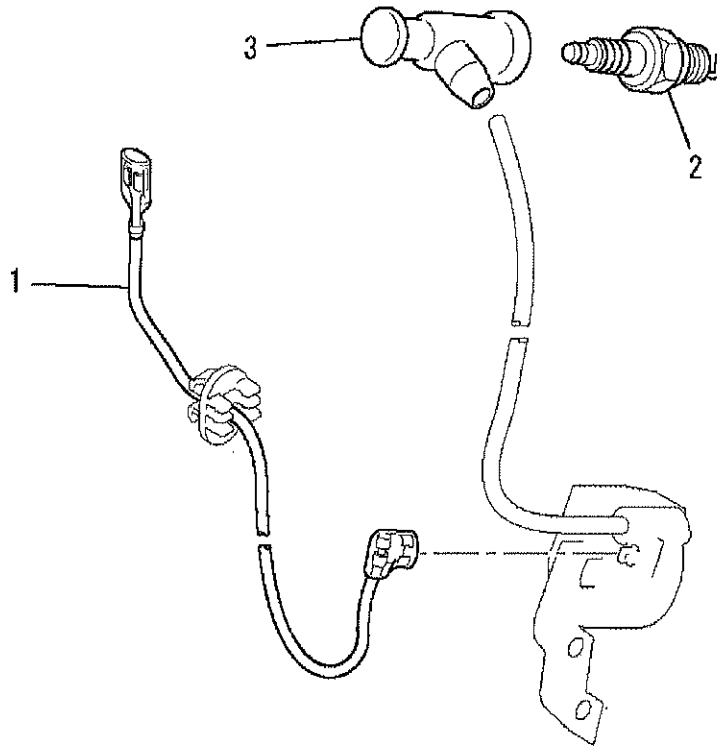
MITSUBISHI HEAVY INDUSTRIES, LTD.

1. BOLT, SPRING, COVER



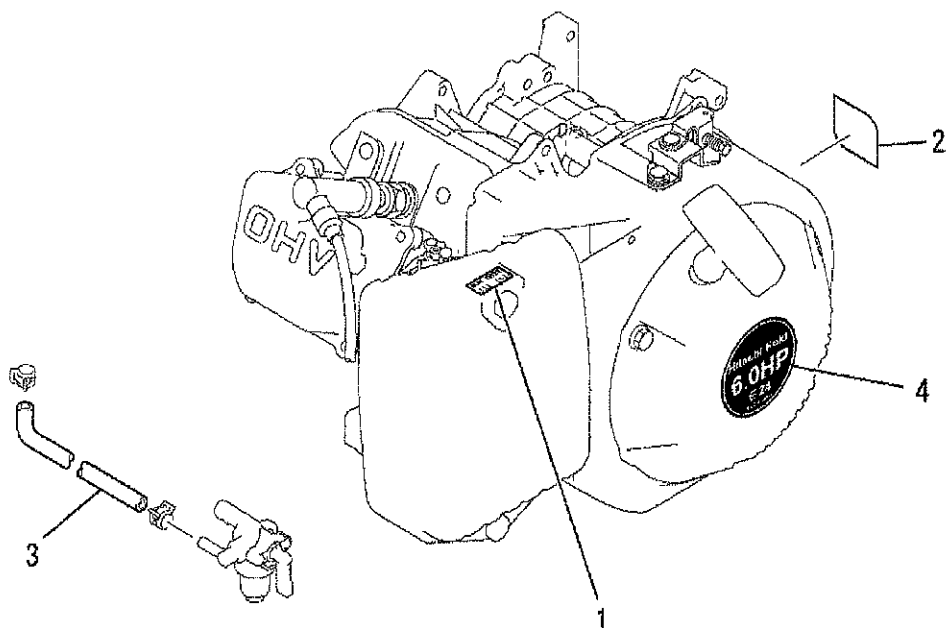
No.	R/N	Parts No.	Parts Name	No. Req'd	Inte	Remarks	Serial No. (From~To)
1		B155B08X020	BOLT, STUD	2			
2		KG34037HA	SPRING, GOV	1			
3		KH40080AA	COVER, TOP	1			

2. LEAD WIRE, PLUG, CAP



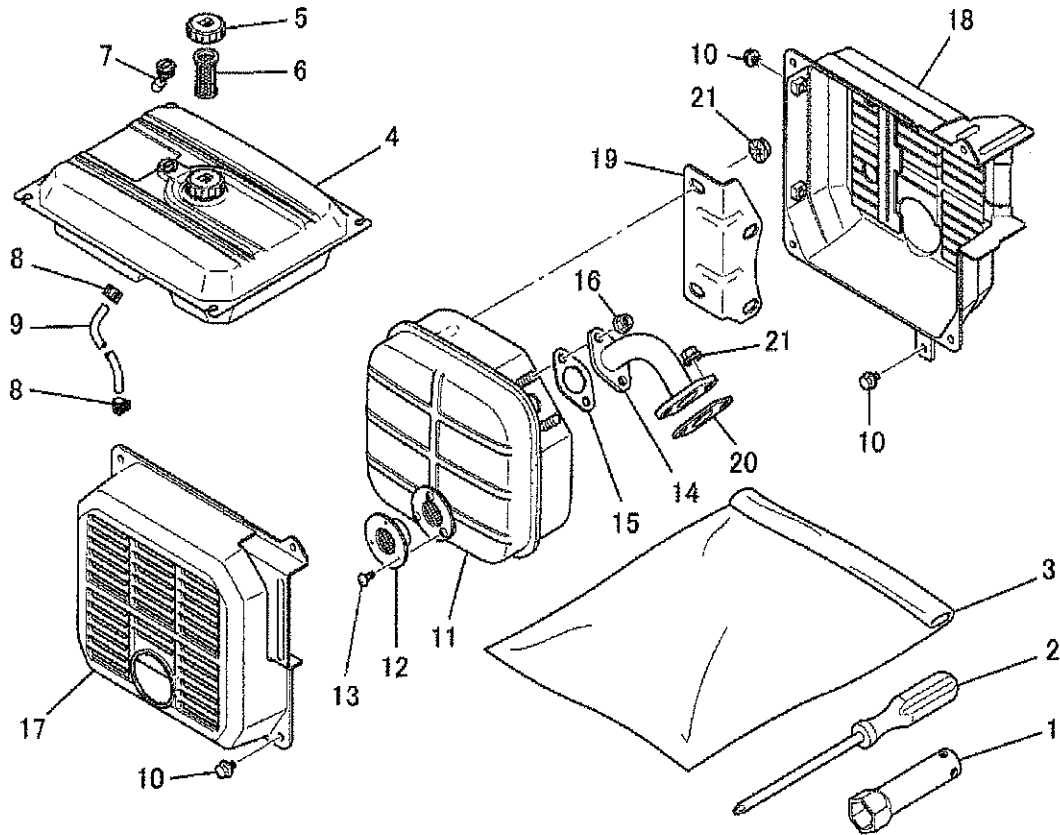
No.	R/N	Parts No.	Parts Name	No. Req'd	Inte	Remarks	Serial No. (From~To)
1		KE90069AA	WIRE, LEAD	1			
2		KE41009AA	PLUG, SPARK	1		BPR6HS	
3		KE42024AA	CAP, PLUG	1			

3. LABEL, FUEL HOSE



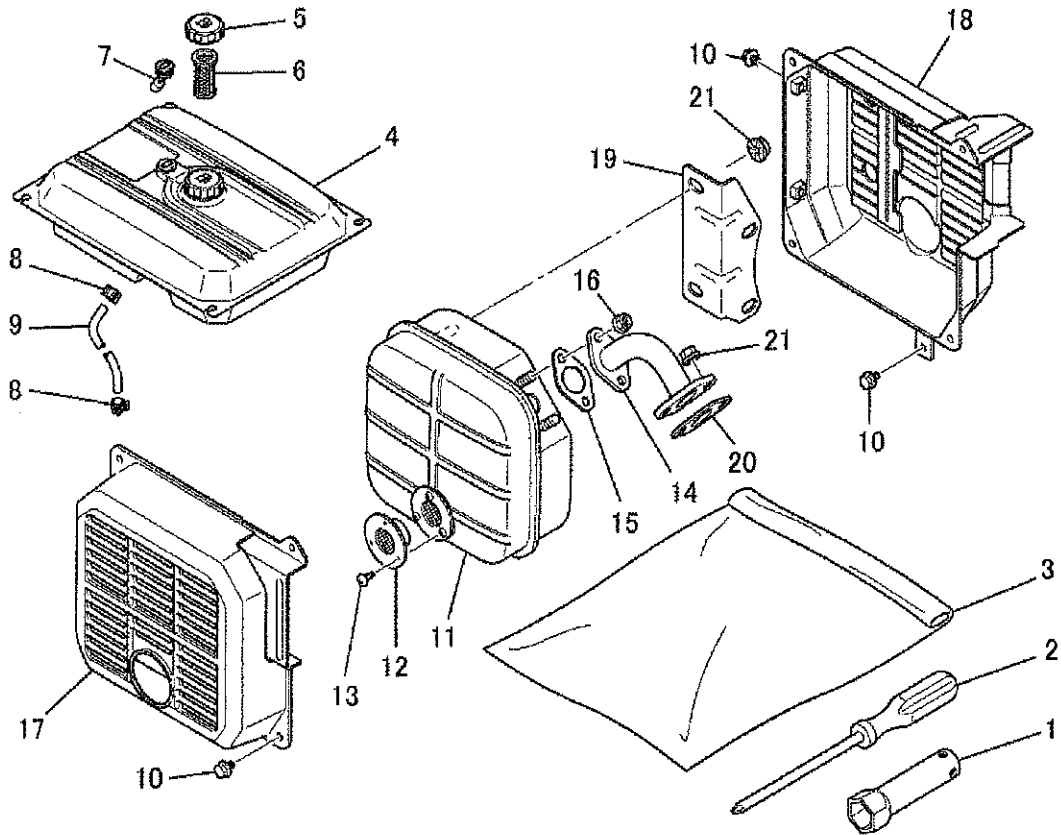
No.	R/N	Parts No.	Parts Name	No. Req'd	Inte	Remarks	Serial No. (From~To)
1		KW56109BA	LABEL, CHOKE	1			
2		KW56282CA	LABEL	1			
3		KF70025AA	HOSE, FUEL	1			
4		KW52218CA	LABEL, NAME	1			

4. TOOL SET



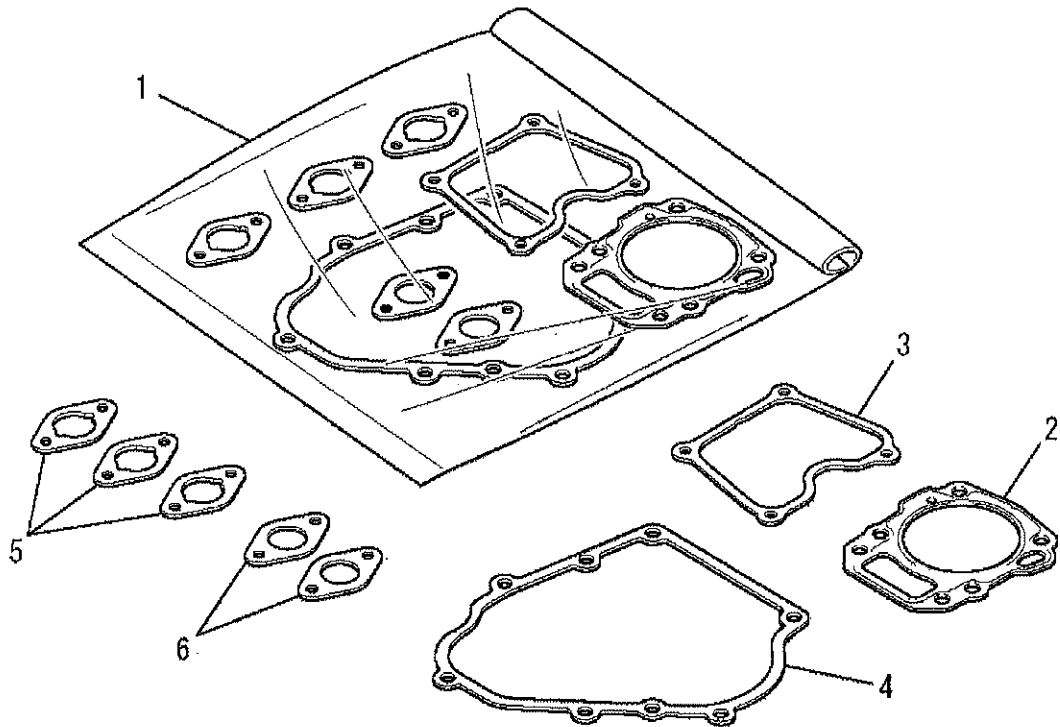
No.	R/N	Parts No.	Parts Name	No. Req'd	Inte	Remarks	Serial No. (From~To)
1		KN12004BA	SPANNER, BOX	1			
2		KN13001AA	DRIVER, SCREW	1			
3		FA21533D	BAG, TOOL	1			
4		KF04092AH	FUEL TANK ASSY	1		INCL. NO. 5-7	
5		KF05010CA	TANK CAP ASSY	1			
6		KF40003AA	FILTER, FUEL	1			
7		KF90080BA	GAUGE, OIL	1			
8		FR67419	CLIP	2			
9		P051Y08X430	HOSE, FUEL	1			
10		B800A06X008K	BOLT, FLANGE	7			
11		KM17023AA	MUFFLER	1		INCL. NO. 12, 13	
12		KM17024AA015	SCREEN	1			

4. TOOL SET



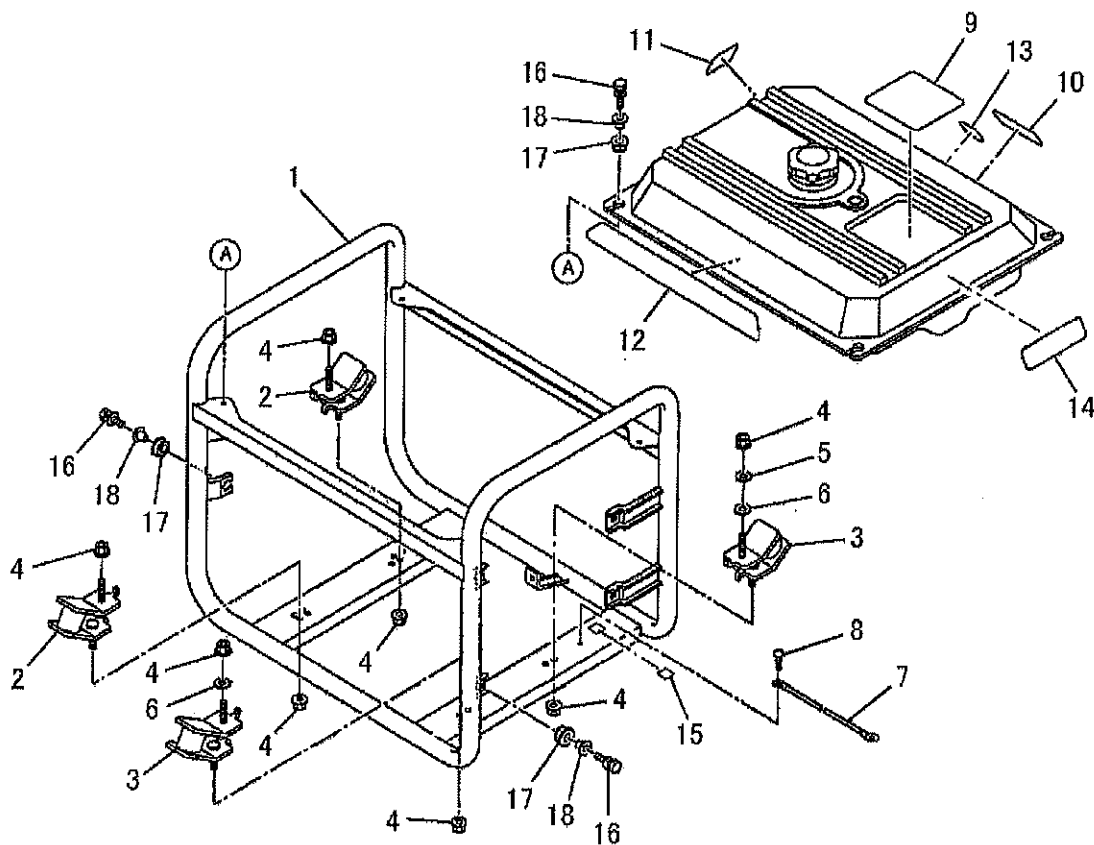
No.	R/N	Parts No.	Parts Name	No. Req'd	Inte	Remarks	Serial No. (From~To)
13		W006D04X008K	SCREW	3			
14		KM30018AA	PIPE, EXHAUST	1			
15		KM70031AB	GASKET, MUFFLER	1			
16		ZZ70028C	NUT, CONICAL SPG	2			
17		KM27052AA	COVER, MUFFLER	1			
18		KM27053AA	COVER, MUFFLER	1			
19		KM60018AA	BRACKET, MUFFLER	1			
20		KM70031AB	GASKET, MUFFLER	1			
21		ZZ70028C	NUT, CONICAL SPG	4			

5. GASKET SET



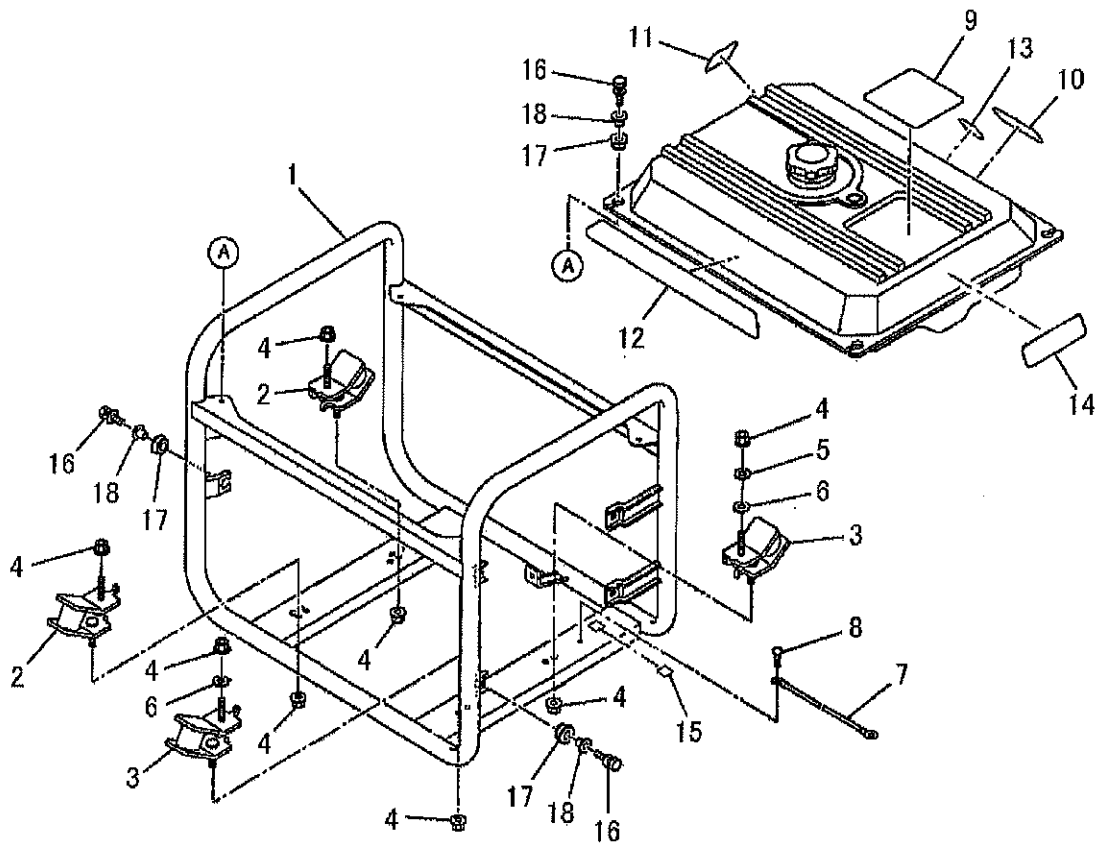
No.	R/N	Parts No.	Parts Name	No. Req'd	Inte	Remarks	Serial No. (From~To)
1		KW39081GA	GASKET SET	1		INCL. NO. 2-6	
2		KC66015AA	GASKET, HEAD	1			
3		KW33007AA	GASKET, HEAD COVER	1			
4		KW31015AA	GASKET, CRANKCASE	1			
5		KW34029AA	GASKET, CARBURETOR	3			
6		KM70031AB	GASKET, MUFFLER	2			

6. FRAME & TANK



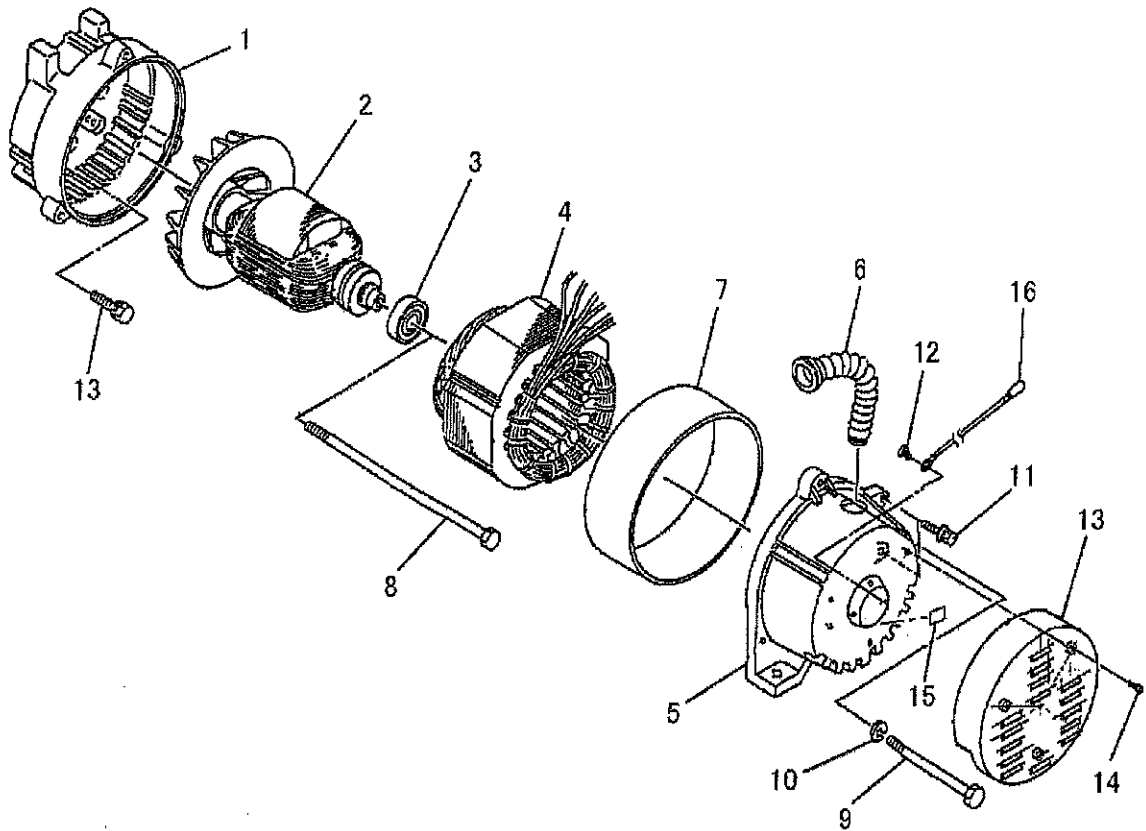
No.	R/N	Parts No.	Parts Name	No. Req'd	Inte	Remarks	Serial No. (From~To)
1		KYF011004520	MG PIPE FRAME UN	1			
2		KYG060000780	MG RUBBER MOUNT UN	2			
3		KYG060000810	MG RUBBER MOUNT UN	2			
4		KY0022008000	NUT, FLANGE	8			
5		KY0030008000	WASHER	1			
6		KYF23MX00130	MG WASHER	2			
7		KYF070000230	MG EARTH WIRE	1			
8		KY0011305012	SCREW&WASHER	1			
9		KYT020002790	MG LABEL	1			
10		KYT020002061	MG LABEL	1			
11		KYC081000450	LABEL	1			
12		KYC011402210	MG LABEL (BRAND)	1			

6. FRAME & TANK



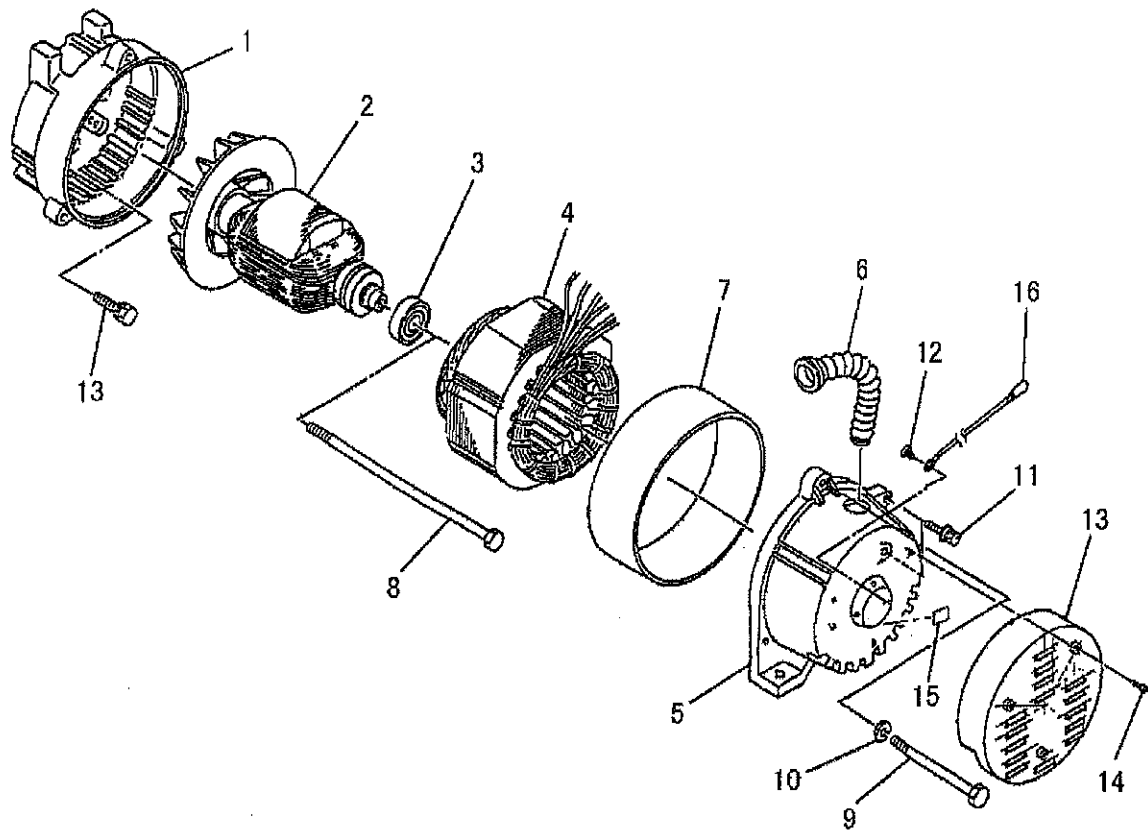
No.	R/N	Parts No.	Parts Name	No. Req'd	Inte	Remarks	Serial No. (From~To)
13		KYB13MX00530	MG LABEL, NOISE	1			
14		KYB12M141830	MG LABEL, SPEC	1			
15		KYC011700081	MG LABEL, EARTH MARK	1			
16		KY0012906020	MG BOLT, FLANGE	8			
17		KU50018AA	BUSH	8			
18		KU50019AA	SPACER	8			

7. GRNERATOR



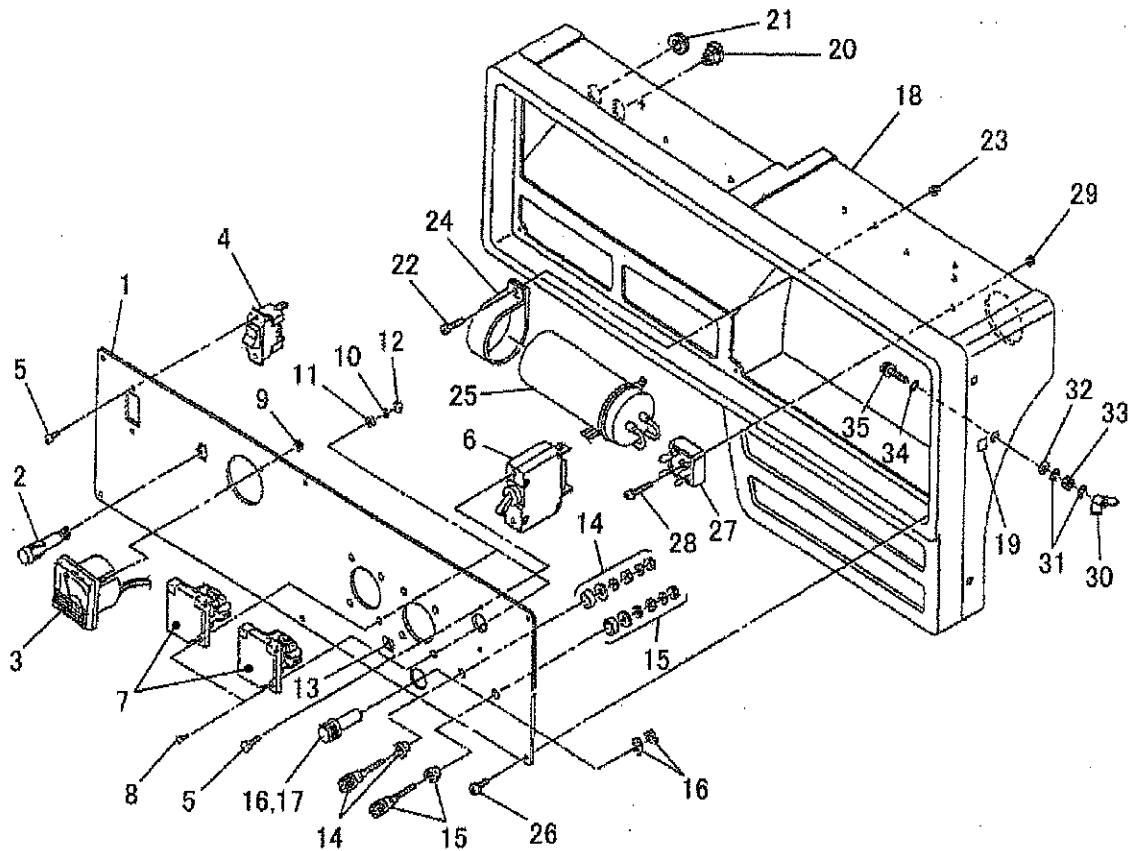
No.	R/N	Parts No.	Parts Name	No. Req'd	Inte	Remarks	Serial No. (From~To)
1		KYG010000760	MG BRACKET, FRONT	1			
2		KYG020001091	ROTOR	1			
3		KY0006203ZZ0	BEARING, BALL	1			
4		KYG040007901	MG STATOR CP	1			
5		KYG080001300	MG REAR COVER	1			
6		KYG070000270	MG BUSHING	1			
7		KYG120001202	COVER	1			
8		KY0013508245	BOLT	1			
9		KY0012506110	BOLT	3			
10		KY0030306000	WASHER, SPG	3			
11		KY0013708020	MG BOLT	4			
12		KY0011203006	MG SCREW	1			

7. GRNERATOR



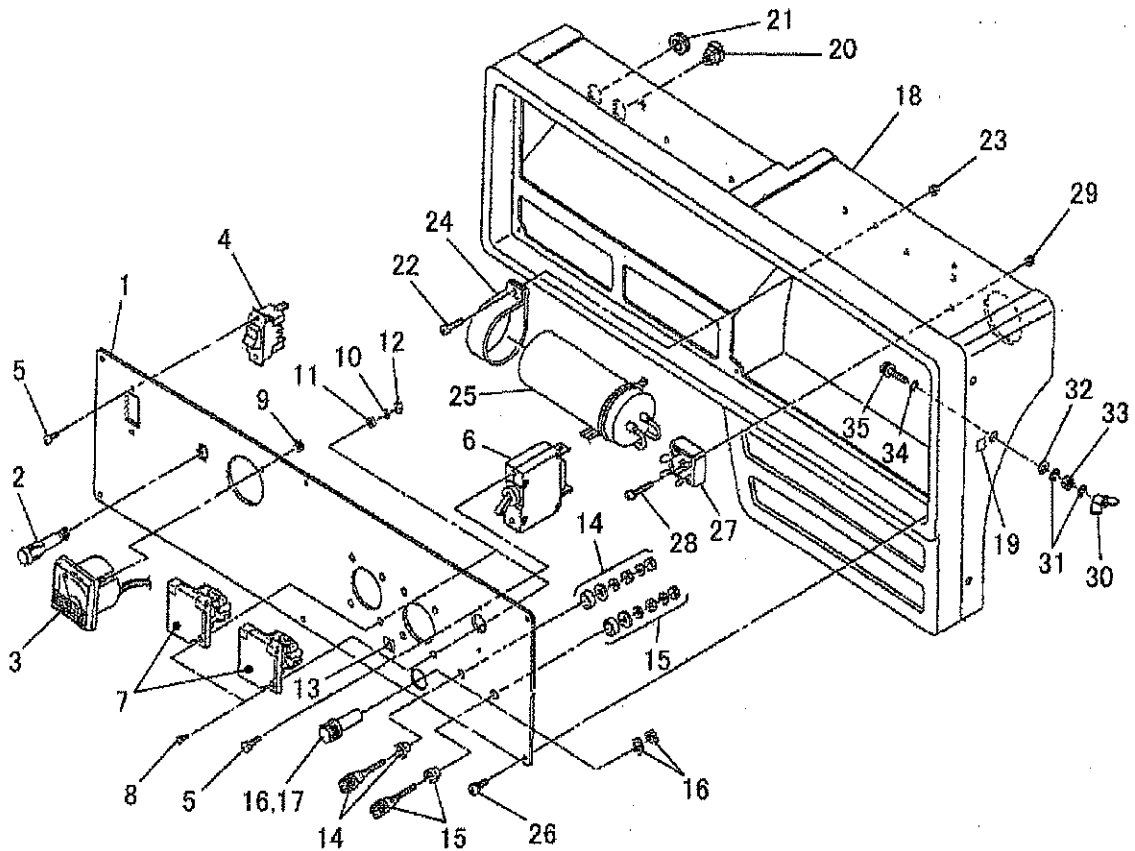
No.	R/N	Parts No.	Parts Name	No. Req'd	Inte	Remarks	Serial No. (From~To)
13		KYG140000130	MG COVER	1			
14		KY0013005020	MG BOLT, FLANGE	3			
15		KYC011700081	MG LABEL, EARTH MARK	1			
16		KYC190000610	MG EARTH WIRE	1			

8. CONTROL BOX



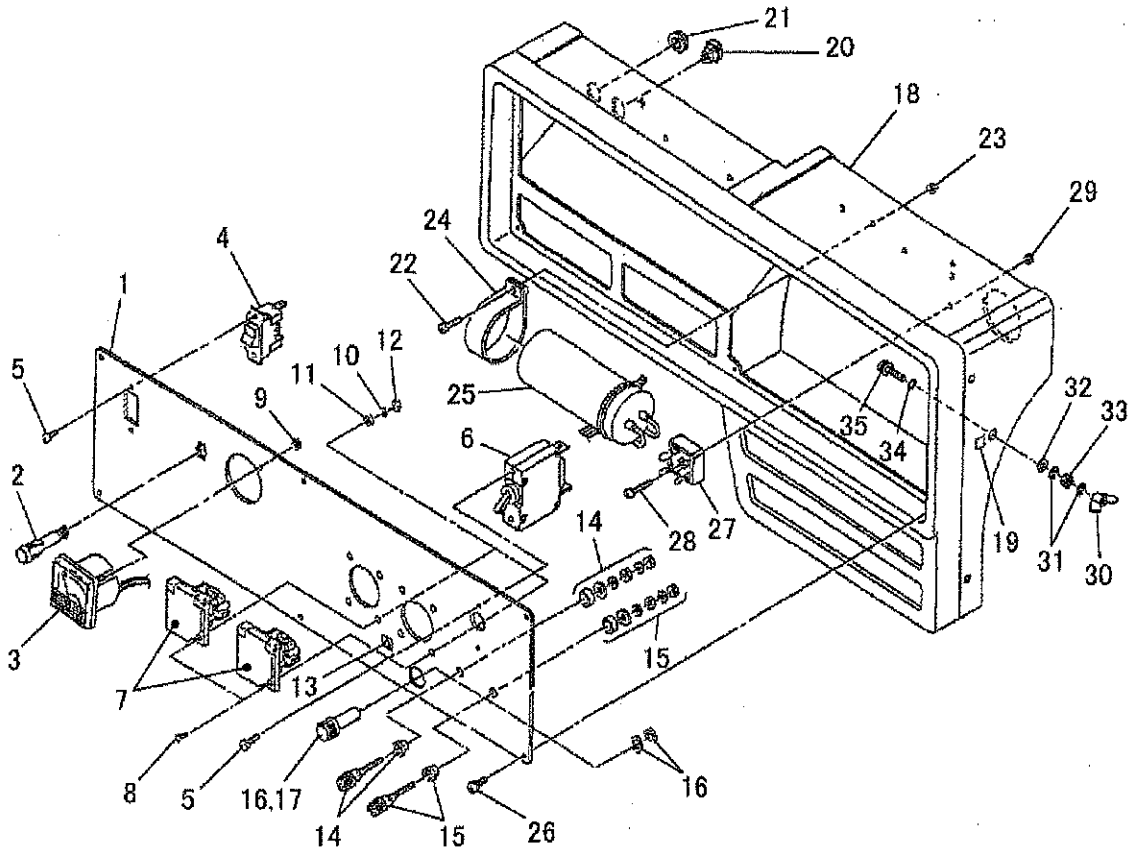
No.	R/N	Parts No.	Parts Name	No. Req'd	Inte	Remarks	Serial No. (From~To)
1		KYC011019420	MG PANEL A PRINT	1			
2		KY01401220R0	MG LAMP, PILOT	1			
3		KY00412240A1	MG VOLT METER	1			
4		KY0130757010	MG SWITCH	1			
5		KY0013303005	MG SCREW	4			
6		KY0080010010	MG CIRCUIT PROTECTOR	1			
7		KY0069210216	MG RECEPTACLE	2			
8		KY0010003015	SCREW&WASHER	8			
9		KY0021903000	NUT	2			
10		KY0030303000	MG WASHER, SPRING	8			
11		KY0030003000	WASHER	8			
12		KY0020003000	NUT	8			

8. CONTROL BOX



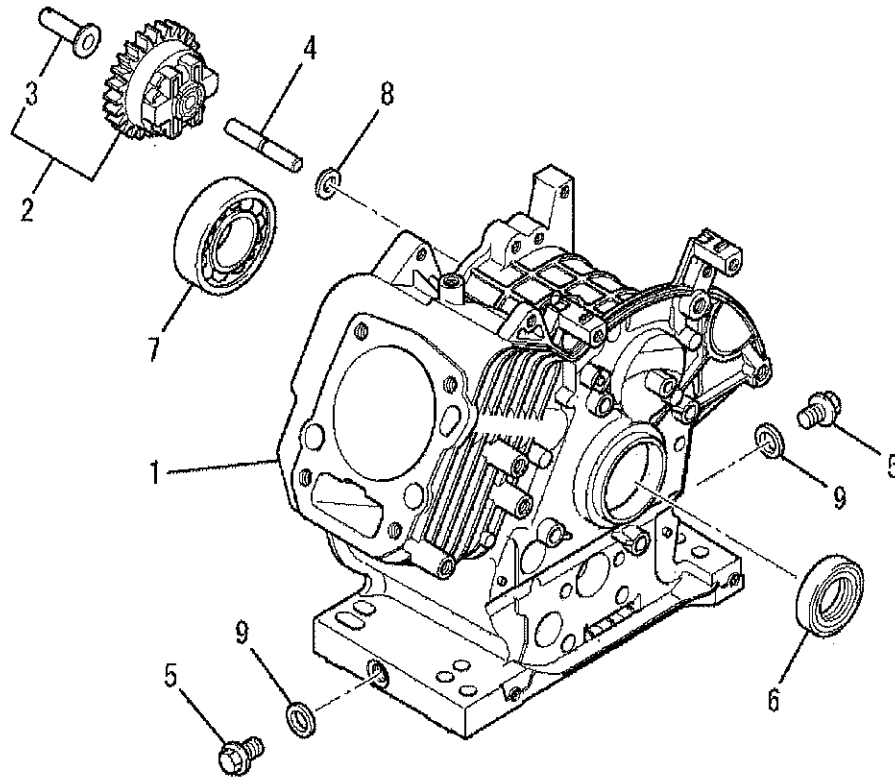
No.	R/N	Parts No.	Parts Name	No. Req'd	Inte	Remarks	Serial No. (From~To)
13		KYT020002080	MG LABEL	1			
14		KY009211201B	MG TERMINAL ASSY	1			
15		KY009211201R	MG TERMINAL ASSY	1			
16		KY0110100010	FUSE	1			
17		KY0120000010	MG FUSE	1		10A	
18		KY90073AA	PANEL, CONTROL	1			
19		KYC011700081	MG LABEL, EARTH MARK	1			
20		KY0200000000	BUSH	1			
21		KY0321140908	MG GROMMET	1			
22		KY0011204010	SCREW&WASHER	1			
23		KY0020004000	MG NUT	1			
24		KYC222000060	MG CONDENSER BRACKET	1			

8. CONTROL BOX



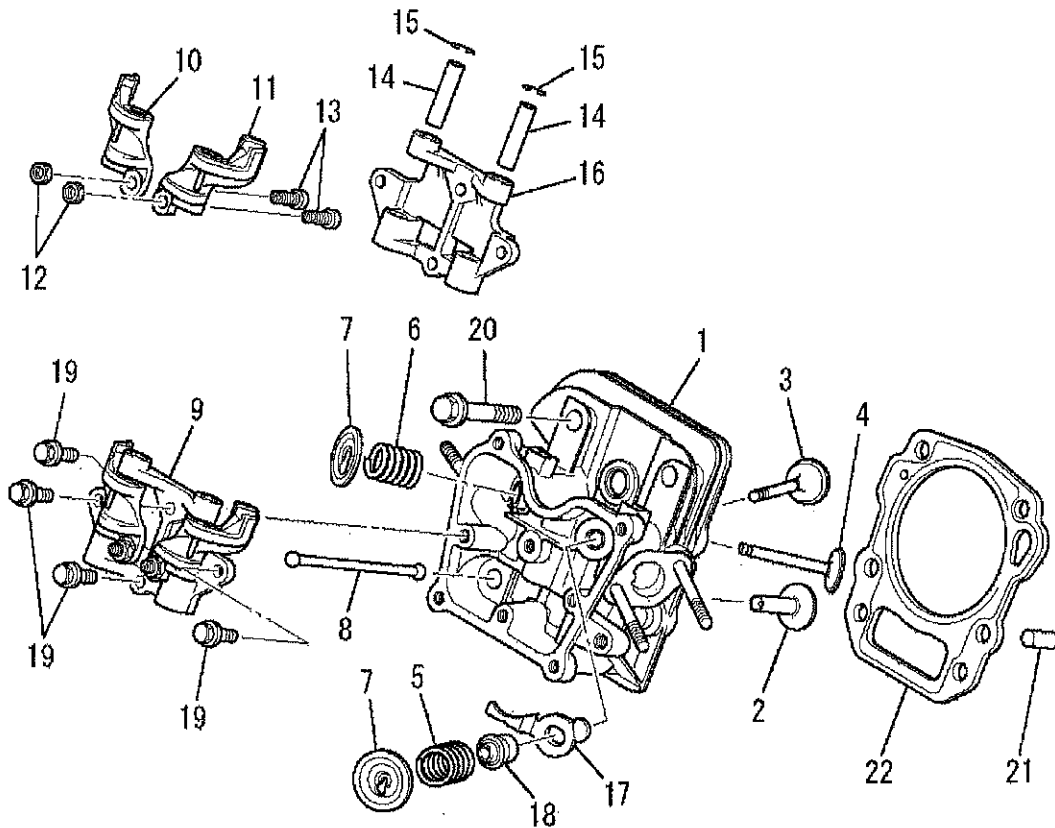
No.	R/N	Parts No.	Parts Name	No. Req'd	Inte	Remarks	Serial No. (From~To)
25		KYC220000560	MG CONDENSER	1			
26		KY0013304008	MG SCREW	6			
27		KY015S15VB20	MG DIODE STAK	1			
28		KY0011204020	MG SCREW	1			
29		KY0020004000	MG NUT	1			
30		KY0021805000	MG WING NUT	1			
31		KY0030405000	WASHER, SPG	2			
32		KY0030105000	MG WASHER	1			
33		KY0021905000	MG NUT	1			
34		KY0031205000	MG WASHER, SPG	1			
35		KY0010205020	MG SCREW	1			

(A) CYLINDER BLOCK GROUP



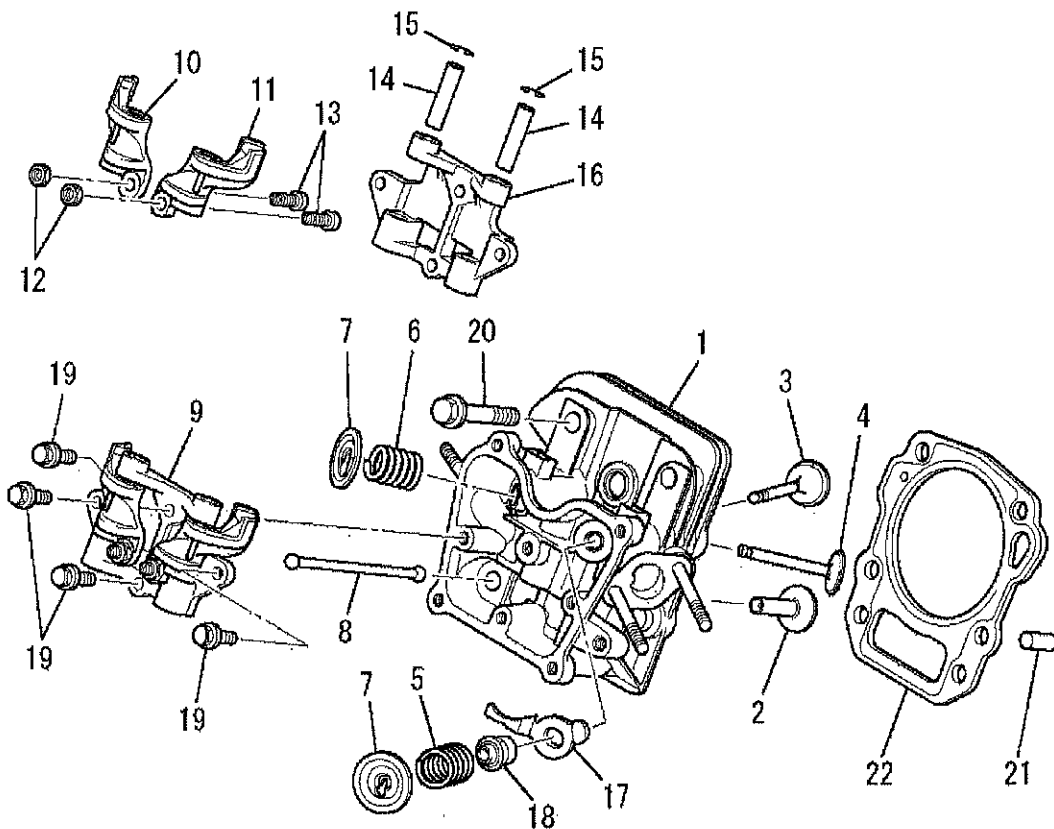
No.	R/N	Parts No.	Parts Name	No. Req'd	Inte	Remarks	Serial No. (From~To)
1		KB44011CA	CYLINDER BLOCK	1			
2		KG01003BA	GOVERNOR GEAR ASSY	1		INCL. NO. 3	
3		KG14004AA	SLIDER, GOV	1			
4		KG22004AA	SHAFT, GOV	1			
5		KL22003AA	PLUG, DRAIN	2			
6		KW25009AA	OIL SEAL	1			
7		S111X62X050	BEARING, BALL	1		#6205	
8		W200H06	WASHER	1			
9		KW39070AA	GASKET	2			

(B) CYLINDER HEAD GROUP



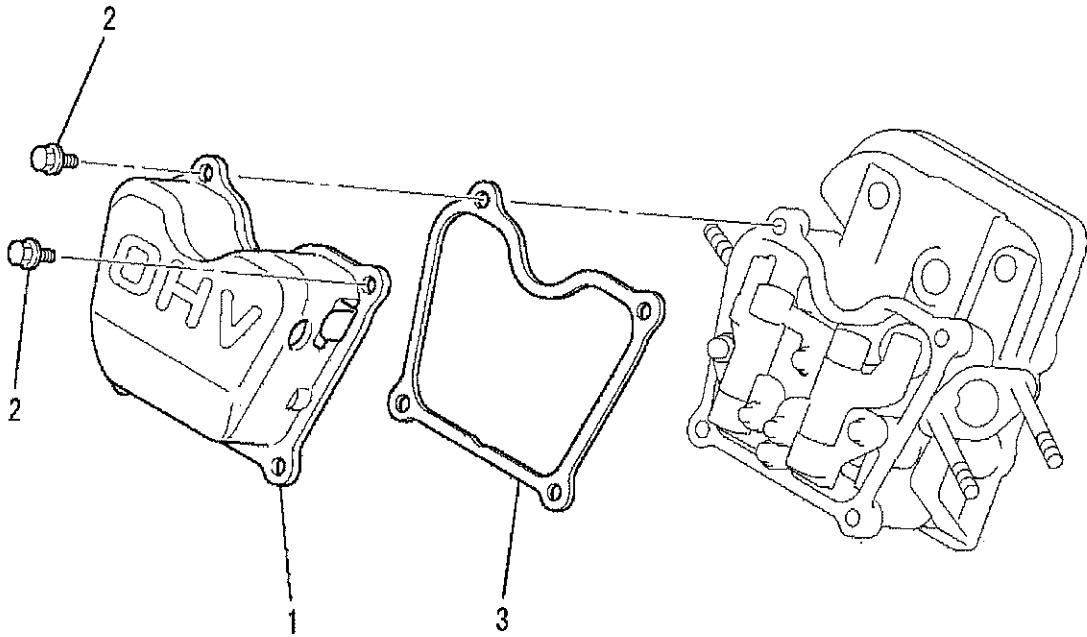
No.	R/N	Parts No.	Parts Name	No. Req'd	Inte	Remarks	Serial No. (From~To)
1		KC02046AA	CYLINDER HEAD ASSY	1		WITH B155B06X075	
2		KV24007AA	TAPPET	2			
3		KV34005AA	VALVE, INTAKE	1			
4		KV43007AA	VALVE, EXHAUST	1			
5		KV55005AA	SPRING, VALVE	1			
6		KV55008AA	SPRING, VALVE	1			
7		KV64002AA	RETAINER, VALVE SPG	2			
8		KV71012BA	ROD, PUSH	2			
9		KV02003BA	ROCKER ARM ASSY	1		INCL. NO. 10-16	
10		KV72010AA	ARM, ROCKER	1			
11		KV72011AA	ARM, ROCKER	1			
12		KU23013AA	NUT	2			

(B) CYLINDER HEAD GROUP



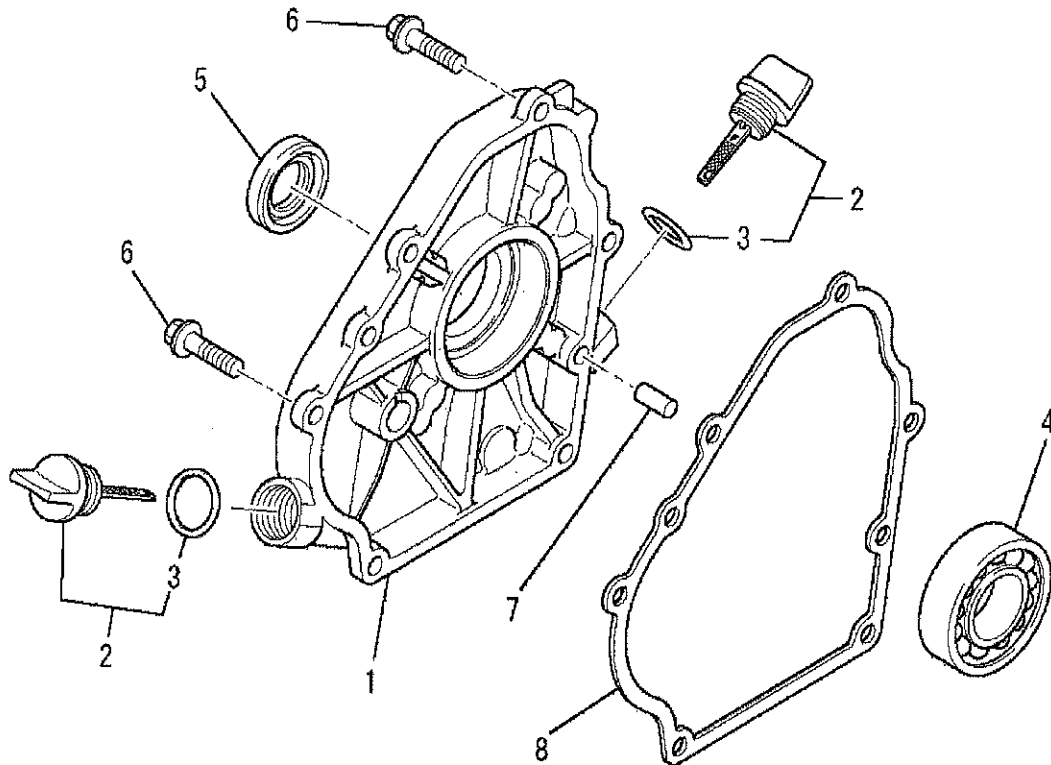
No.	R/N	Parts No.	Parts Name	No. Req'd	Inte	Remarks	Serial No. (From~To)
13		KV73004AA	SCREW, ADJUST	2			
14		KV75009BA	SHAFT	2			
15		FR34111	CLIP, PISTON PIN	2			
16		KV74008AA	PLATE	1			
17		KV90016AA	PLATE	1			
18		KW21023AA	SEAL, VALVE STEM	1			
19		B800A06X016	BOLT, FLANGE	4			
20		B800B08X055	BOLT, FLANGE	4			
21		KU44001AA	PIN, DOWEL	2			
22		KC66015AA	GASKET, HEAD	1			

(C) HEAD COVER GROUP



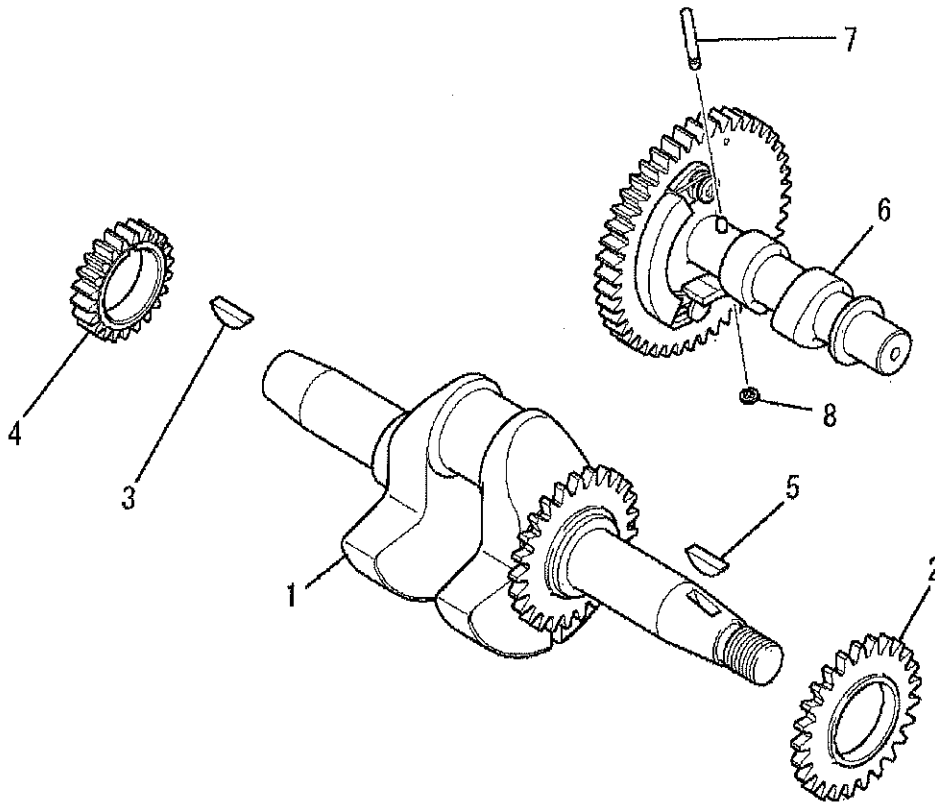
No.	R/N	Parts No.	Parts Name	No. Req'd	Inte	Remarks	Serial No. (From~To)
1		KC09014AA	COVER, HEAD	1			
2		B800A06X012	BOLT, FLANGE	4			
3		KW33007AA	GASKET, HEAD COVER	1			

(D) CASE COVER GROUP



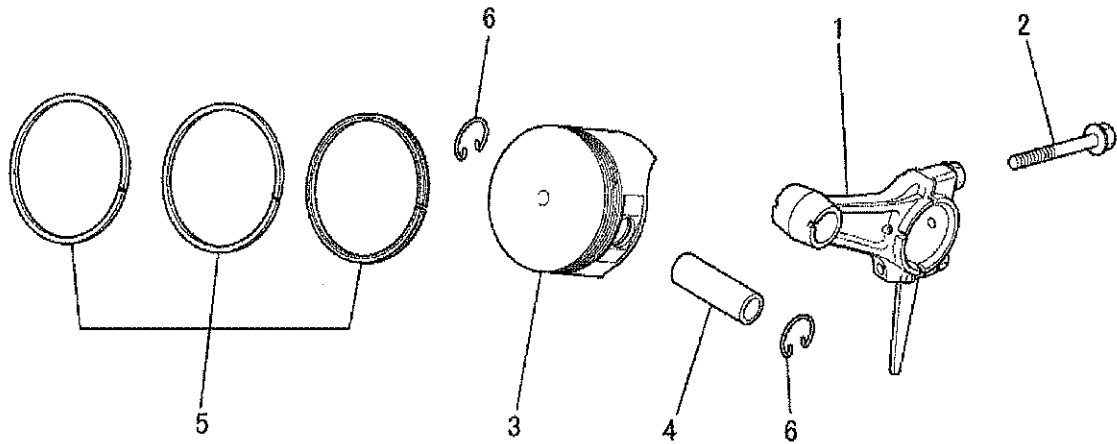
No.	R/N	Parts No.	Parts Name	No. Req'd	Inte	Remarks	Serial No. (From~To)
1		KB64008AA	COVER, CRANKCASE	1			
2		KL21006CA	GAUGE, OIL	2		INCL. NO. 3	
3		KW23003AA	O-RING	2			
4		KW11012AA	BEARING, BALL	1			
5		KW25008AA	OIL SEAL	1			
6		B800B08X030	BOLT, FLANGE	6			
7		KU44001AA	PIN, DOWEL	2			
8		KW31015AA	GASKET, CRANKCASE	1			

(E) CRANKSHAFT GROUP



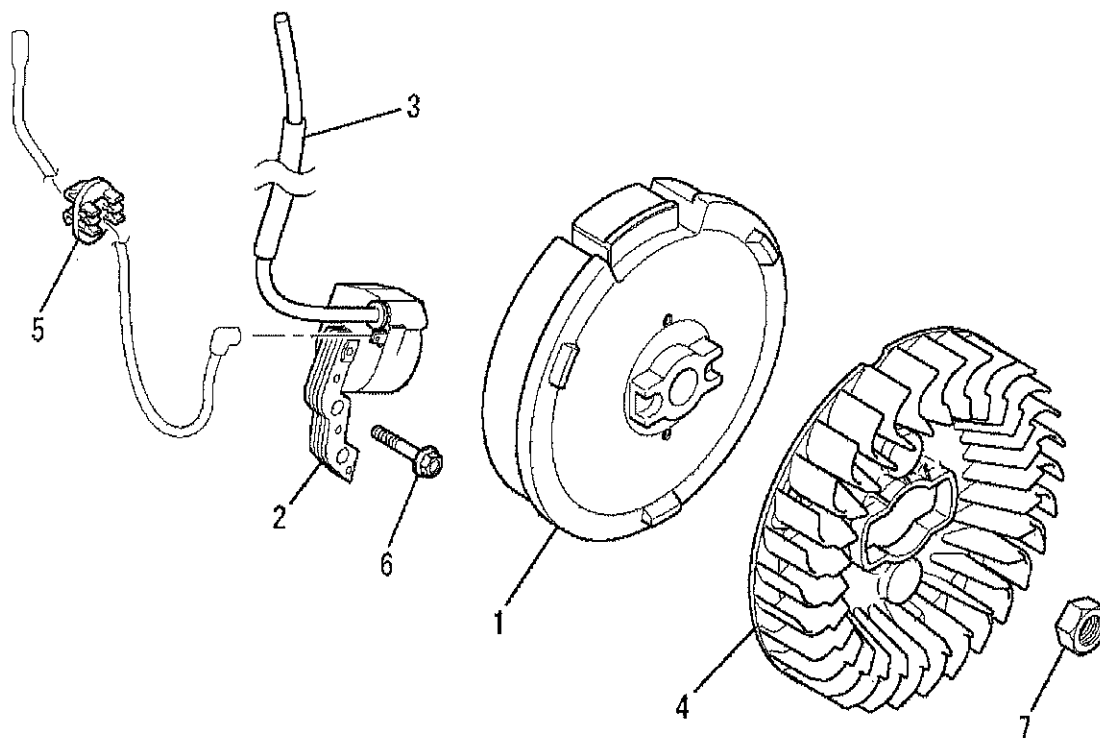
No.	R/N	Parts No.	Parts Name	No. Req'd	Inte	Remarks	Serial No. (From~To)
1		KD02077EA	CRANKSHAFT ASSY	1		INCL. NO. 2, 3	
2		KD63049AA	GEAR	1			
3		KD90016AA	KEY, WOODRUFF	1			
4		KD63035AA	GEAR, CRANKSHAFT	1			
5		KD90016AA	KEY, WOODRUFF	1			
6		KV01199BA	CAMSHAFT GEAR ASSY	1		INCL. NO. 7, 8	
7		KV83009AG	PIN	1			
8		S500P03	SNAP RING	1			

(F) PISTON & ROD GROUP



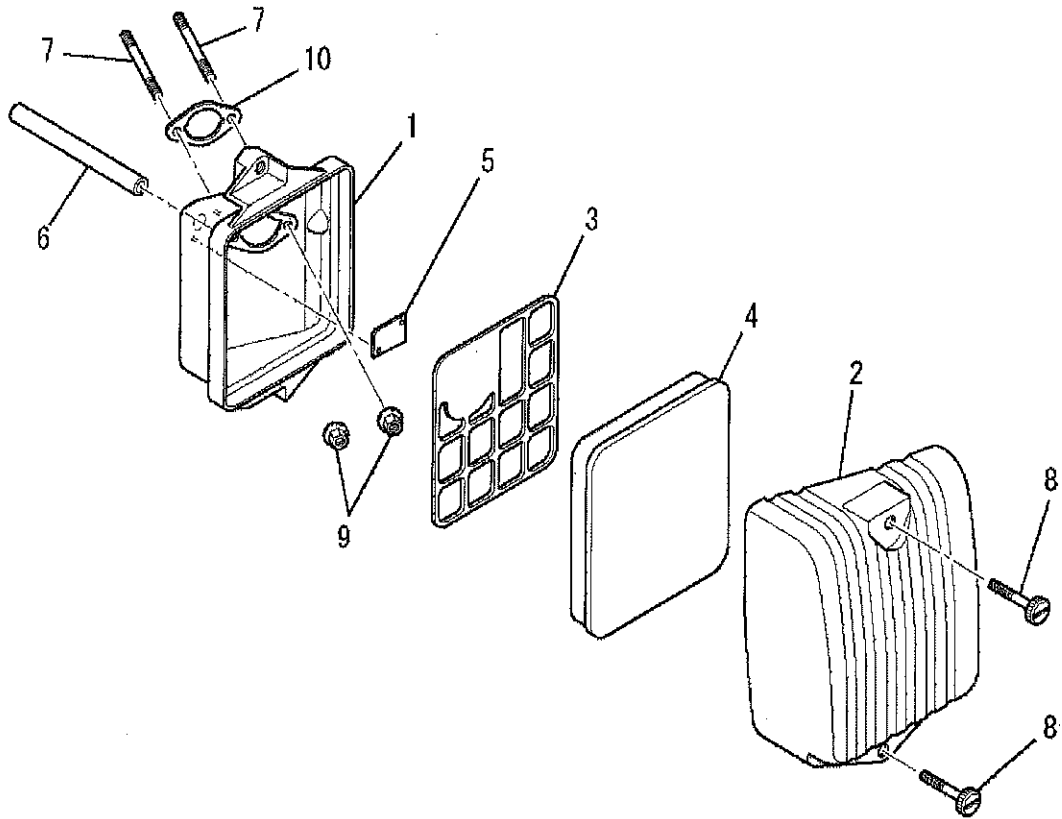
No.	R/N	Parts No.	Parts Name	No. Req'd	Inte	Remarks	Serial No. (From~To)
1		KD03024AA	CONNECTING ROD ASSY	1		STD INCL. NO. 2	
1	1	KD03024BA	CONNECTING ROD ASSY	1		US 0.25 INCL. NO. 2	
1	2	KD03024CA	CONNECTING ROD ASSY	1		US 0.50 INCL. NO. 2	
2		B800B06X030	BOLT, FLANGE	2			
3		KP16008AA	PISTON	1		STD	
3	1	KP16008BA	PISTON	1		OS 0.25	
3	2	KP16008CA	PISTON	1		OS 0.50	
4		KP55005AA	PIN, PISTON	1			
5		KP02019AA	PISTON RING SET	1		STD	
5	1	KP02019BA	PISTON RING SET	1		OS 0.25	
5	2	KP02019CA	PISTON RING SET	1		OS 0.50	
6		KP90003AA	CLIP, PISTON PIN	2			

(G) MAGNETO GROUP



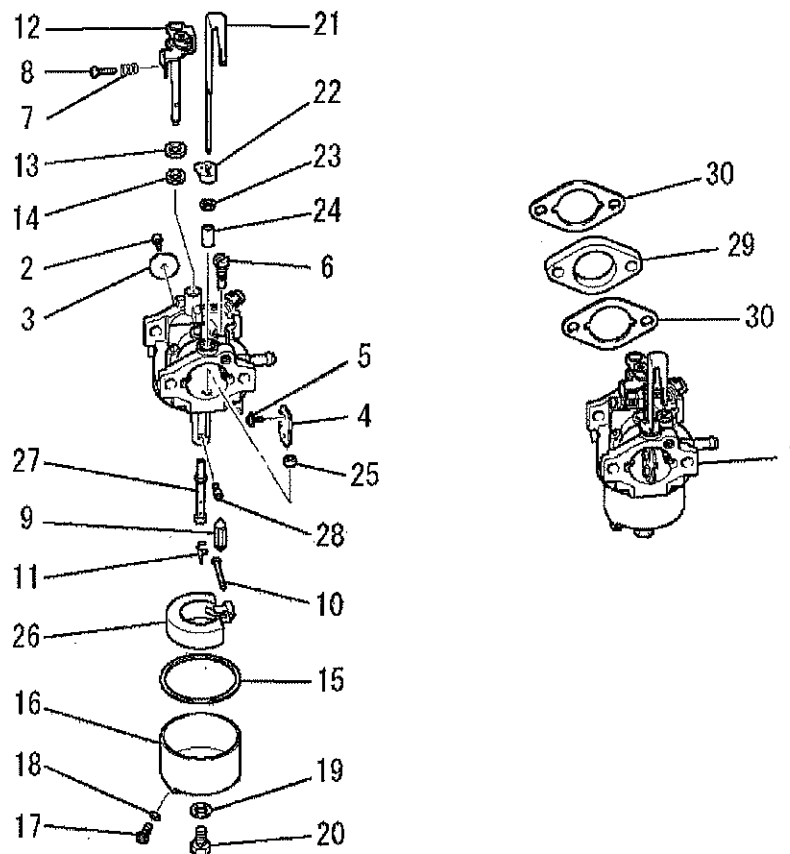
No.	R/N	Parts No.	Parts Name	No. Req'd	Inte	Remarks	Serial No. (From~To)
1		KE12038AA	FLYWHEEL	1			
2		KE24016AA	COIL, IGNITION	1			
3		KE90073AA	TUBE	1			
4		KE90202AA	FAN	1			
5		KU70007AA	CLIP	1			
6		B805B06X020	BOLT, FLANGE	2			
7		FR41231	NUT	1			

(H) AIR CLEANER GROUP



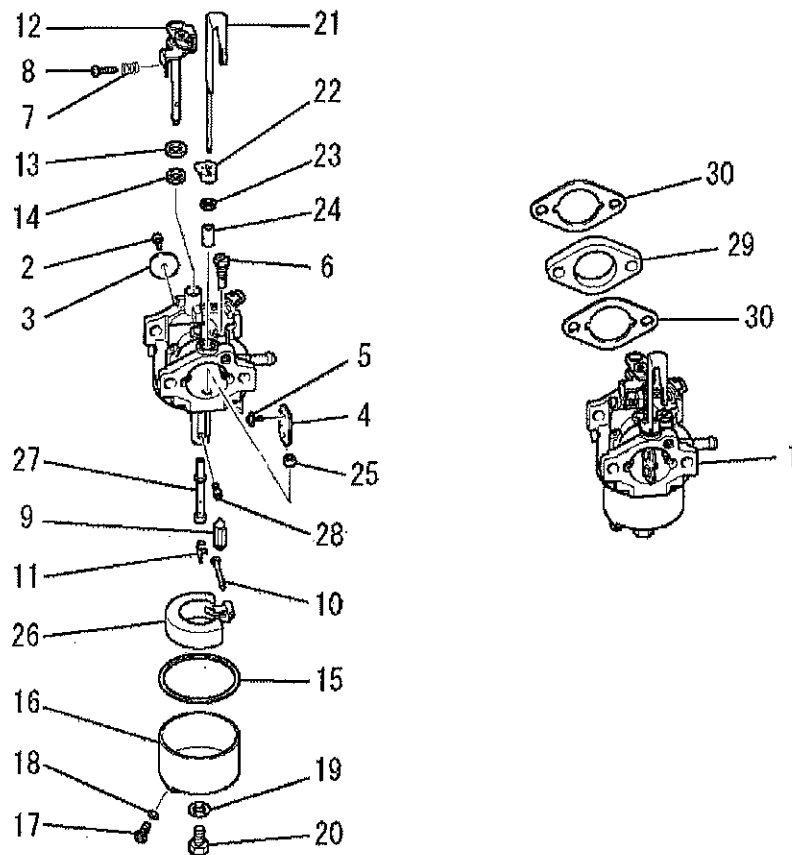
No.	R/N	Parts No.	Parts Name	No. Req'd	Inte	Remarks	Serial No. (From~To)
1		KA11022AA	CASE, CLEANER	1			
2		KA20054AA	COVER, CLEANER	1			
3		KA30024BA	GRID	1			
4		KA40074AA	ELEMENT, CLEANER	1			
5		KA90122AA	PLATE	1			
6		ZZ70002L	TUBE, BREATHER	1			
7		B155B06X075	BOLT, STUD	2			
8		KA90124AA	BOLT	2			
9		N801A06	NUT, FLANGE	2			
10		KW34029AA	GASKET, CARBURETOR	1			

(I) CARBURETOR GROUP



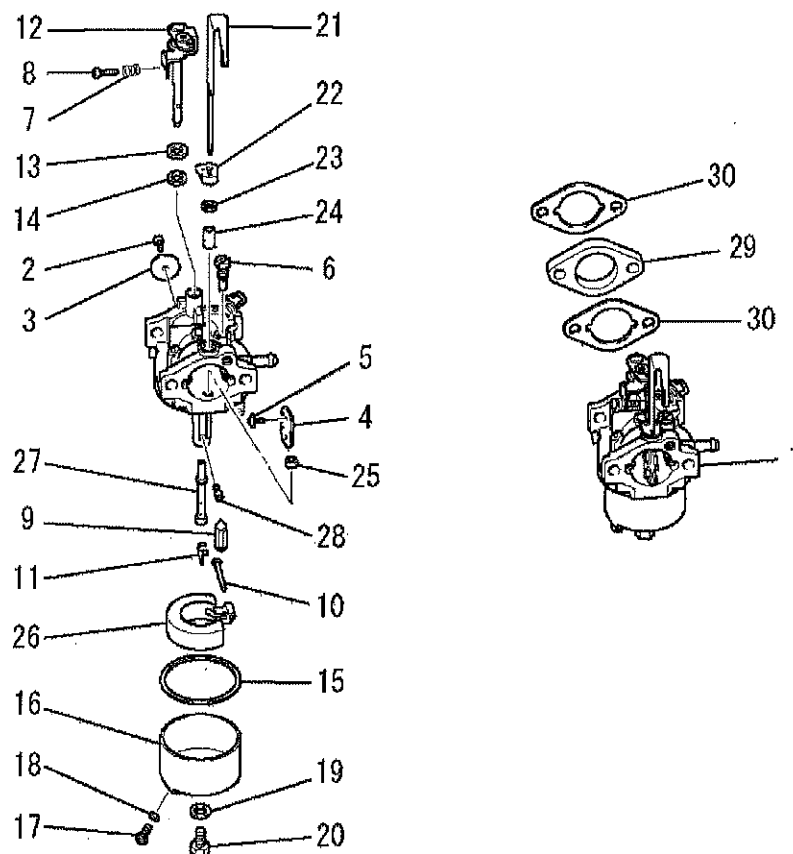
No.	R/N	Parts No.	Parts Name	No. Req'd	Inte	Remarks	Serial No. (From~To)
1		KK13033AB	CARBURETOR (F)	1		INCL. NO. 2-28	
2		KK15016AA003	SCREW	1			
3		KK13018AA003	VALVE, THROTTLE	1			
4		KK13018AA004	VALVE, CHOKE	1			
5		KK15016AA005	SCREW	2			
6		KK74508BA450	JET, PILOT	1			
7		KK13018AA026	SPRING	1			
8		KK13023DB027	SCREW	1			
9		KK13030DB001	VALVE, NEEDLE	1			
10		KK12008AE012	PIN	1			
11		KK12008AE011	CLIP	1			
12		KK13023DB112	SHAFT, THROTTLE	1			

(I) CARBURETOR GROUP



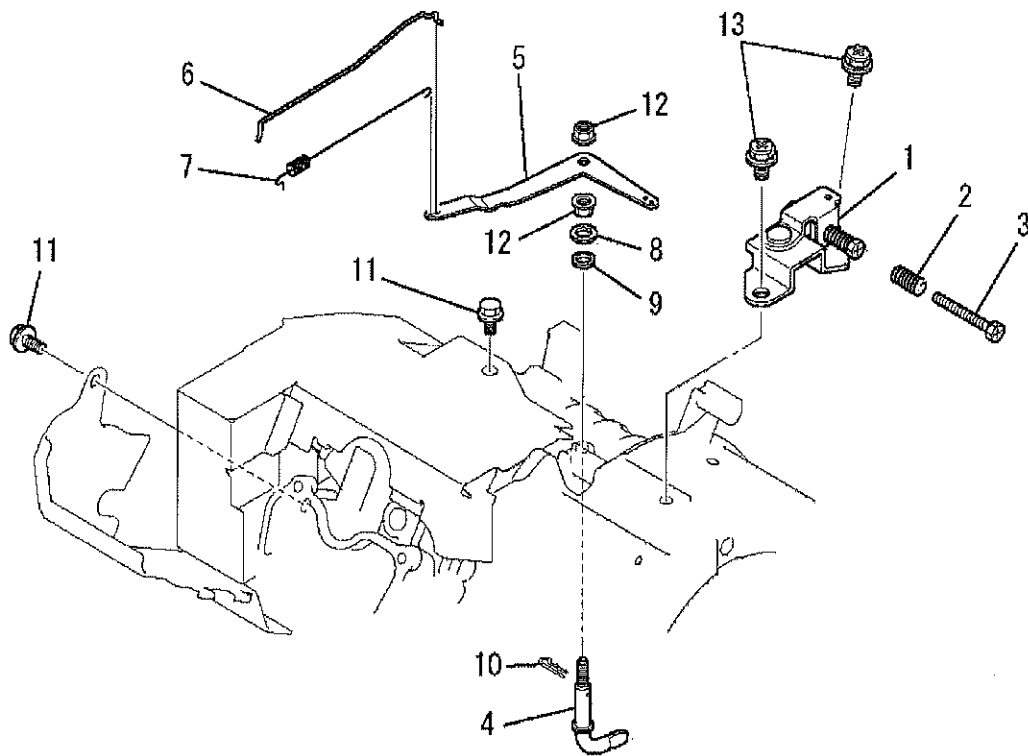
No.	R/N	Parts No.	Parts Name	No. Req'd	Inte	Remarks	Serial No. (From~To)
13		KK13023DB031	PACKING	1			
14		KK12008AE016	SEAL	1			
15		KK14001AA018	GASKET	1			
16		KK13023DB015	CHAMBER, FLOAT	1		INCL. NO. 17, 18	
17		KK13023DB028	BOLT	1			
18		KK13018AB001	PACKING	1			
19		KK12008AE026	PACKING	1			
20		KK13018AA017	BOLT	1			
21		KK12015DX017	LEVER, CHOKE	1			
22		KK12008AE018	RING	1			
23		KK12008AE019	SEAL	1			
24		KK12008AE020	RING	1			

(I) CARBURETOR GROUP



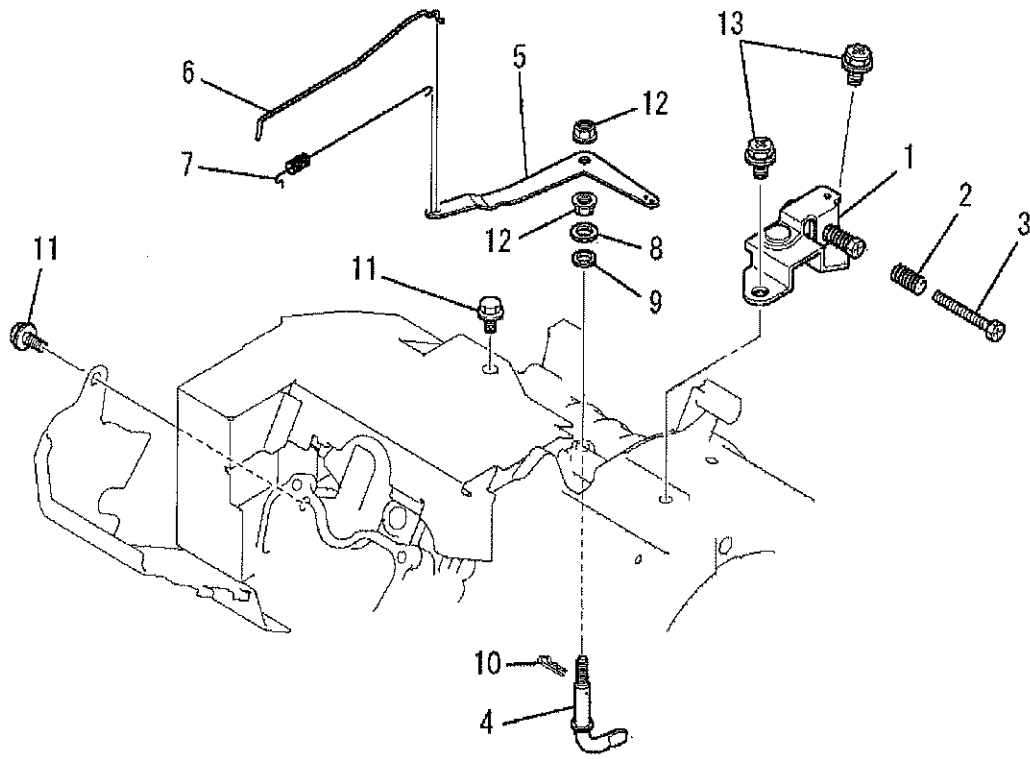
No.	R/N	Parts No.	Parts Name	No. Req'd	Inte	Remarks	Serial No. (From~To)
25		KK12008AE021	RING	1			
26		KK12008AE013	FLOAT	1			
27		KK74524BA012	NOZZLE, MAIN	1			
28		KK74525CA750	JET, MAIN	1			
29		KK33005AA	INSULATOR	1			
30		KW34029AA	GASKET, CARBURETOR	2			

(J) CONTROL PANEL GROUP



No.	R/N	Parts No.	Parts Name	No. Req'd	Inte	Remarks	Serial No. (From~To)
1		KG03039AA	PANEL, CONTROL	1		INCL. NO. 2, 3	
2		KU80017AA	SPRING	1			
3		KU14032AA	BOLT	1			
4		KG22014AA	SHAFT, GOV	1			
5		KG31020AA	LEVER, GOV	1			
6		KG41023AA	ROD, GOV	1			
7		KG42024AA	SPRING, ROD	1			
8		KG90015AA	WASHER	1			
9		KG90016AA	SEAL, DUST	1			
10		KU70006AA	CLIP	1			
11		B805B06X012	BOLT, FLANGE	2			
12		FR42734	NUT, FLANGE	2			

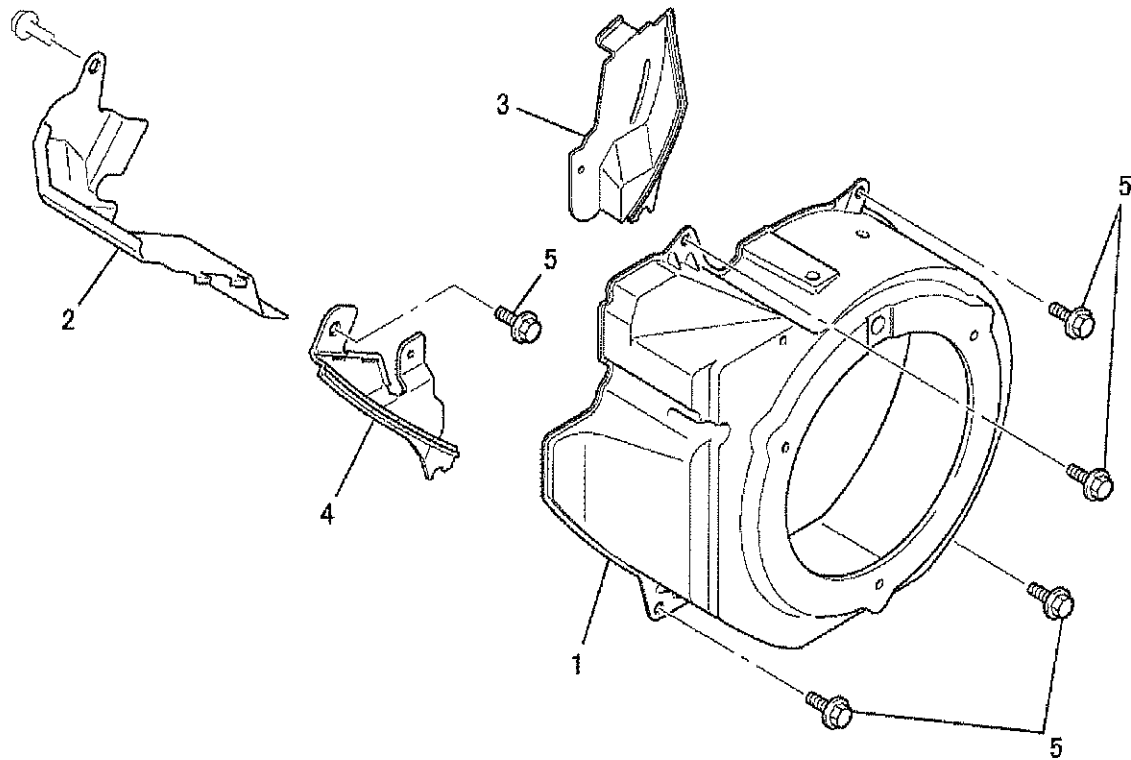
(J) CONTROL PANEL GROUP



No.	R/N	Parts No.	Parts Name	No. Req'd	Inte	Remarks	Serial No. (From~To)
-----	-----	-----------	------------	-----------	------	---------	----------------------

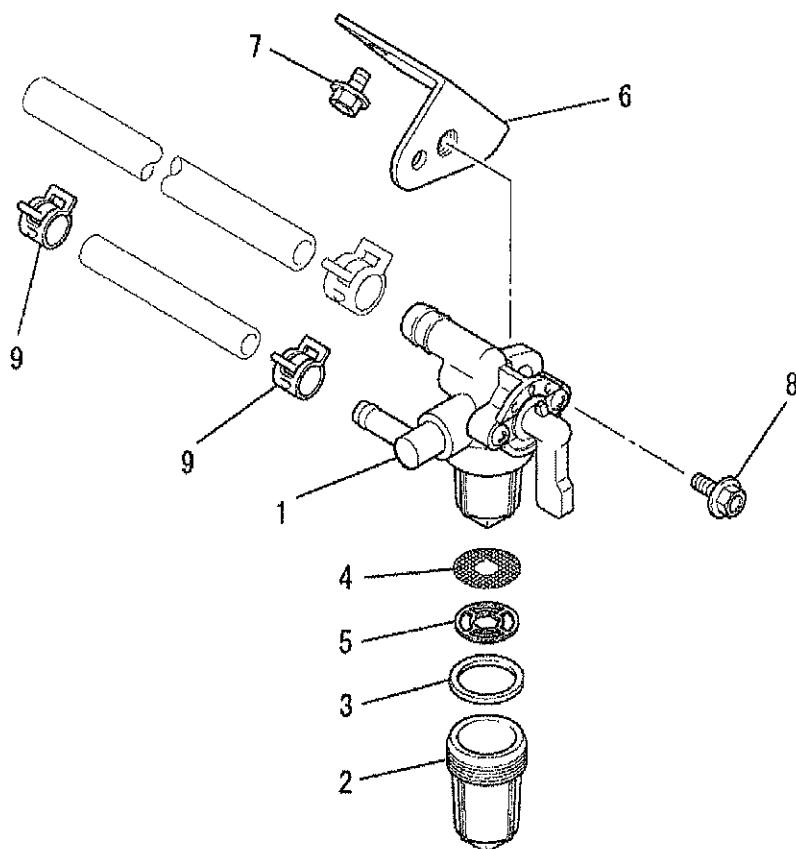
13		KU13014BA	BOLT&WASHER	2			
----	--	-----------	-------------	---	--	--	--

(K) FAN COVER GROUP



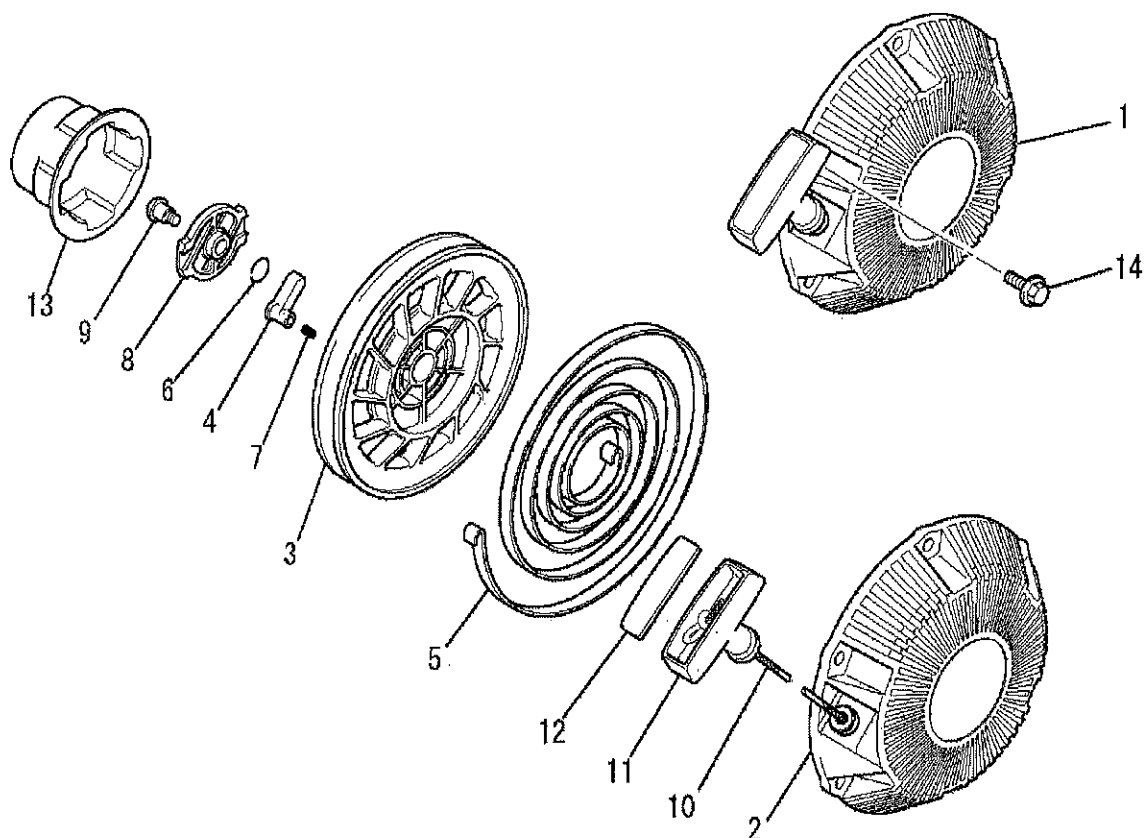
No.	R/N	Parts No.	Parts Name	No. Req'd	Inte	Remarks	Serial No. (From~To)
1		KH27029BH	COVER, FAN	1			
2		KH40067AA	COVER, CYLINDER	1			
3		KH90054AA	COVER	1			
4		KH90055BA	COVER	1			
5		B805B06X012	BOLT, FLANGE	5			

(N) COCK GROUP



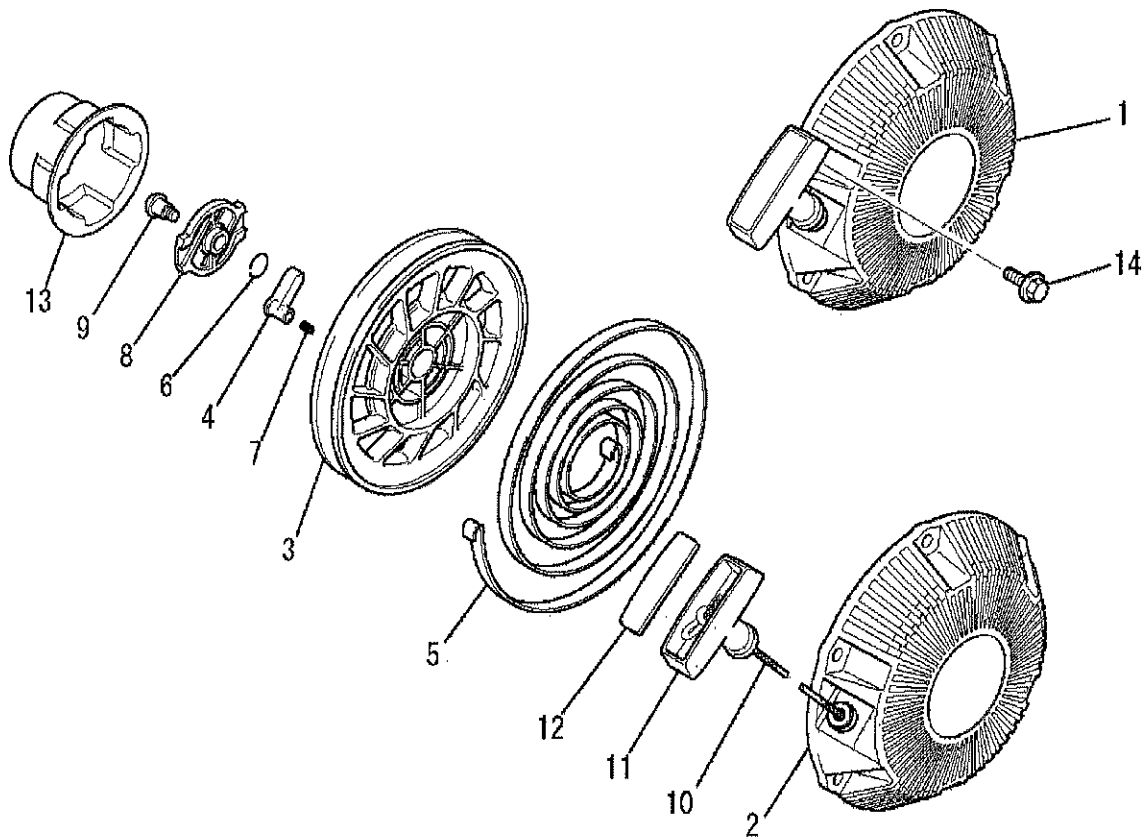
No.	R/N	Parts No.	Parts Name	No. Req'd	Inte	Remarks	Serial No. (From~To)
1		KF31040AA	COCK, FUEL	1		INCL. NO. 2-5	
2		KF31036AA106	CUP	1			
3		KF31035AA102	PACKING	1			
4		KF31035AA003	FILTER, FUEL	1			
5		KF31035AA012	PACKING	1			
6		KF90136AA	BRACKET, FUEL COCK	1			
7		B800A06X008	BOLT, FLANGE	2			
8		B800A06X012	BOLT, FLANGE	1			
9		FR53226	CLIP	2			

(R) RECOIL STARTER GROUP



No.	R/N	Parts No.	Parts Name	No. Req'd	Inte	Remarks	Serial No. (From~To)
1		KS02062AD	RECOIL STARTER ASSY	1		INCL. NO. 2-13	
2		KS20081AD001	CASE, STARTER	1			
3		KS20081AD002	REEL	1			
4		KS20081AD003	RATCHET	2			
5		KS20081AD004	SPRING, SPIRAL	1			
6		KS20020AD006	SPRING, RETURN	1			
7		KS20020AD007	SPRING, RETURN	2			
8		KS20081AD007	GUIDE	1			
9		KS20081AD008	SCREW	1			
10		KS20081AD010	ROPE, STARTER	1			
11		KS20081AD011	KNOB, STARTER	1			
12		KS20081AD012	CAP	1			

(R) RECOIL STARTER GROUP

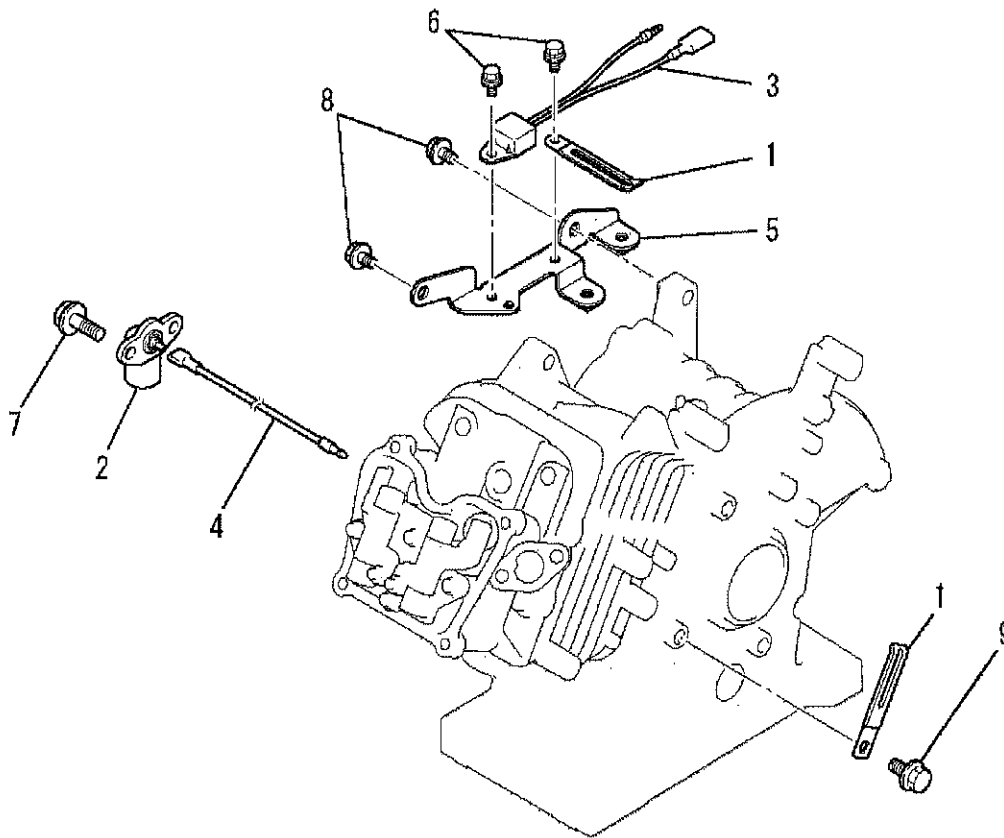


No.	R/N	Parts No.	Parts Name	No. Req'd	Inte	Remarks	Serial No. (From~To)
-----	-----	-----------	------------	-----------	------	---------	----------------------

13		KS30040AA	PULLEY, STARTER	1			
----	--	-----------	-----------------	---	--	--	--

14		B800A06X016K	BOLT, FLANGE	3			
----	--	--------------	--------------	---	--	--	--

(W) OIL SENSOR GROUP



No.	R/N	Parts No.	Parts Name	No. Req'd	Inte	Remarks	Serial No. (From~To)
1		FR64917	CLAMP	2			
2		KE09033AA	SENSOR, OIL	1			
3		KE34001BA	UNIT	1			
4		KE90013BA	WIRE, LEAD	1			
5		KE90204AA	BRACKET, UNIT	1			
6		B070A05X010	BOLT&WASHER	2			
7		B800A06X012	BOLT, FLANGE	2			
8		B805B06X012	BOLT, FLANGE	2			
9		KU12030AA	BOLT, FLANGE	1			