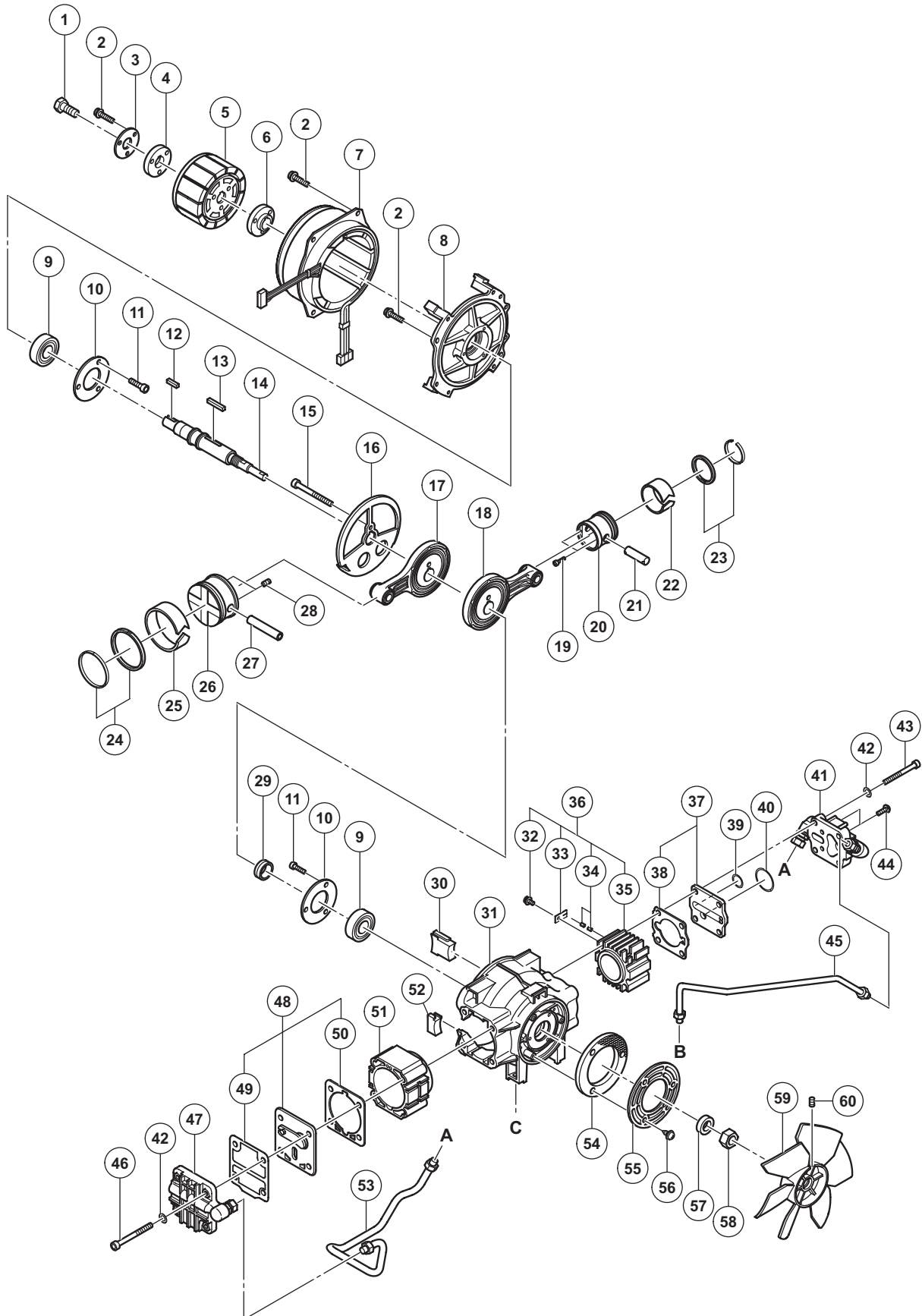
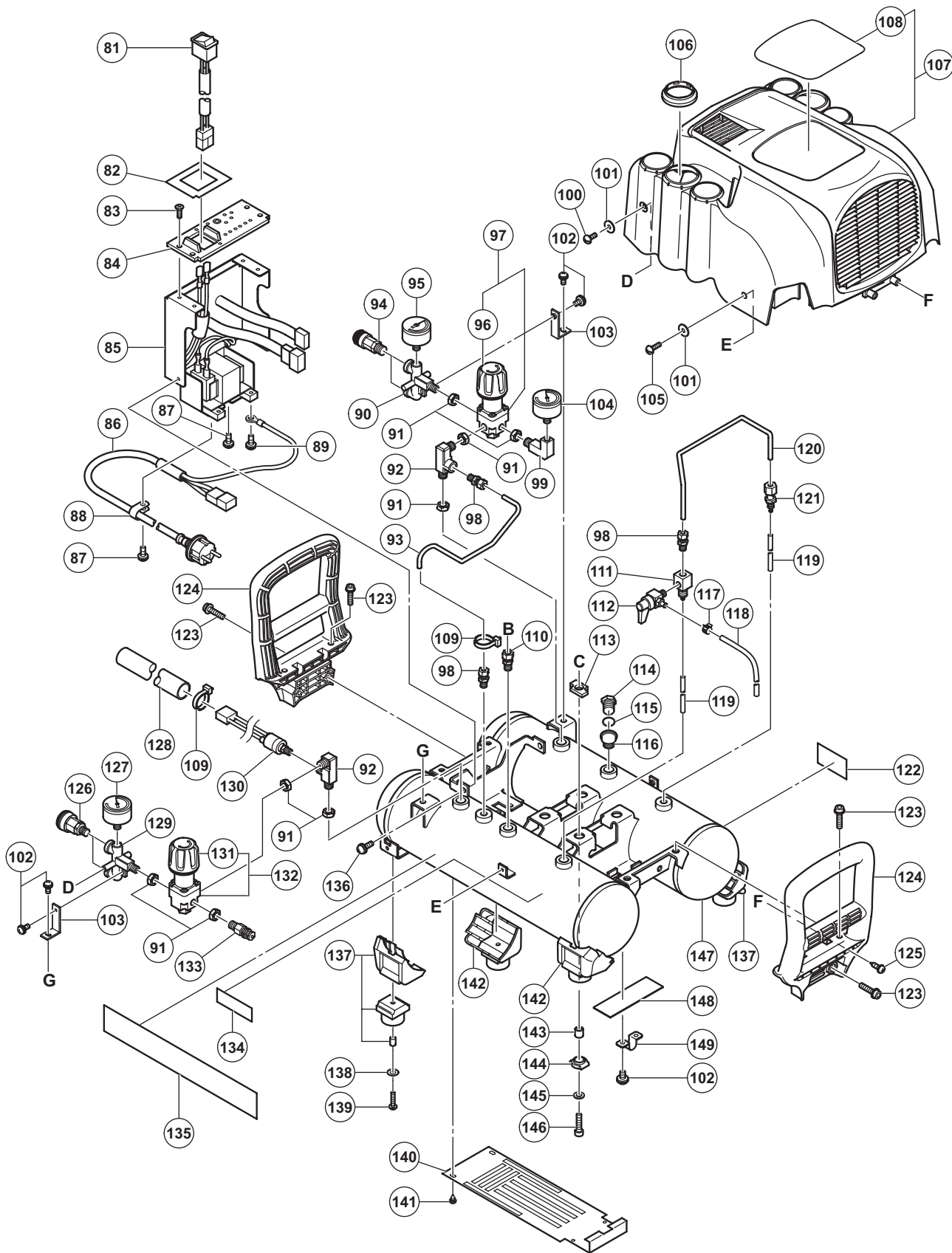


PNEUMATIC TOOL PARTS LIST

■ HIGH-PRESSURE AIR COMPRESSOR 2011·1·27
Model EC 1433H (E1)





PARTS

EC 1433H

ITEM NO.	CODE NO.	DESCRIPTION	NO. USED	REMARKS
1	949-622	BOLT M8 X 16 (10 PCS.)	1	
2	971-392	HEX. SOCKET HD. BOLT (W/FLANGE) M6 X 22	13	
3	886-800	ROTOR COVER	1	
4	886-799	ROTOR FLANGE (B)	1	
5	887-742	ROTOR	1	
6	886-798	ROTOR FLANGE (A)	1	
7	340-787E	STATOR 220V-230V	1	
8	887-236	STATOR HOLDER	1	
9	620-4LL	BALL BEARING 6204LLBC3/5K	2	
10	886-784	BEARING COVER	2	
11	990-079	SEAL LOCK HEX. SOCKET HD. BOLT M5 X 16	6	
12	886-797	FEATHER KEY 5 X 5 X 20	1	
13	887-283	KEY 5 X 5 X 32	1	
14	887-253	SHAFT	1	
15	324-056	SEAL LOCK HEX. SOCKET HD. BOLT M6 X 35	1	
16	887-245	FLY WHEEL	1	
17	887-238	CONNECTING ROD (L)	1	
18	887-237	CONNECTING ROD (H)	1	
19	886-781	HEX. SOCKET HD. BOLT M3	2	
20	887-241	PISTON (H)	1	
21	887-255	PISTON PIN (H)	1	
22	886-835	CYLINDER PLATE	1	
23	887-603	PISTON RING (H) SET	1	
24	887-602	PISTON RING (L) SET	1	
25	887-266	RIDER RING (L)	1	
26	887-242	PISTON (L)	1	
27	887-254	PISTON PIN (L)	1	
28	963-383	HEX. SOCKET SET SCREW M4 X 8	2	
29	887-256	SPACER (D)	1	
30	887-250	BUSHING (H)	1	
31	887-235	CRANK CASE	1	
32	305-735	HEX. SOCKET HD. BOLT (W/FLANGE) M4 X 6	1	
33	887-592	CYLINDER COVER	1	
34	887-593	FILTER (A)	2	
35	887-249	CYLINDER (H)	1	
36	887-607	CYLINDER (H) ASS'Y	1	INCLUD. 32-35
37	887-243	VALVE PLATE (H) ASS'Y	1	INCLUD. 38
38	886-821	PACKING (H1)	1	
39	887-275	O-RING (A)	1	
40	887-276	O-RING (B)	1	
41	887-606	CYLINDER HEAD (H)	1	
42	949-426	WASHER M8 (10 PCS.)	8	
43	887-028	HEX. SOCKET HD. BOLT M8 X 85	4	
44	951-039	MACHINE SCREW (W/SP. WASHER) M4 X 12	2	
45	887-609	PIPE (B)	1	
46	887-599	HEX. SOCKET HD. BOLT M8 X 80	4	
47	887-605	CYLINDER HEAD (L)	1	
48	886-819	VALVE PLATE (L) ASS'Y	1	INCLUD. 49, 50
49	886-816	PACKING (L2)	1	
50	886-815	PACKING(L1)	1	

PARTS

EC 1433H

ITEM NO.	CODE NO.	DESCRIPTION	NO. USED	REMARKS
51	887-591	CYLINDER (L)	1	
52	887-251	BUSHING (L)	1	
53	887-608	PIPE (A)	1	
54	886-785	FILTER	1	
55	886-786	FILTER COVER	1	
56	887-015	TAP TIGHT (W/BOLT WASHER) M4	3	
57	886-790	SPACER (C)	1	
58	886-791	NUT (LEFT HAND) M16	1	
59	887-022	PROPELLER FAN	1	
60	958-257	HEX. SOCKET SET SCREW M6 X 8	1	
81	887-578	SWITCH ASS'Y	1	
82	887-743	OPERATION PANEL SHEET	1	
83	949-323	FLAT HD. SCREW M4 X 12 (10 PCS.)	4	
84	886-745	CONTROL PANEL HOLDER	1	
85	887-582	CONTROL BOX	1	
* 86	887-579	CORD ASS'Y	1	
* 86	887-580	CORD ASS'Y	1	FOR GBR
87	887-021	SCREW (W/WASHERS) M5 X 16 (BLACK)	2	
88	886-748	NYLON CLIP	1	
89	887-744	MACHINE SCREW (W/WASHERS) M5	1	
90	887-279	SOCKET HOLDER (A)	1	
91	887-274	G1/4 NUT	8	
92	887-247	SENSOR HOLDER	2	
93	887-262	PIPE (D)	1	
94	887-745	AIR SOCKET (EURO)	2	
95	887-575	PRESSURE GAUGE (A) EUROPE	1	
96	887-468	REGULATOR HANDLE (GRAY)	1	
97	887-268	REGULATOR (A) ASS'Y	1	INCLUD. 96
98	887-277	FITTING CONNECTOR (IN.)	3	
99	887-248	FITTING ELBOW (E)	1	
100	887-017	TRUSS HD. SCREW M4 X 8 (BLACK)	2	
101	875-246	WASHER	4	
102	935-196	MACHINE SCREW (W/WASHERS) M4 X 12 (BLACK)	6	
103	887-594	FRAME (DG)	2	
104	887-577	PRESSURE GAUGE (C) EUROPE	1	
105	887-018	TRUSS HD. SCREW M4 X 12 (BLACK)	2	
106	887-001	RUBBER COVER	2	
107	887-748	COVER ASS'Y	1	INCLUD. 108
108		HITACHI LABEL	1	
109	310-480	WIRE BAND	2	
110	887-278	FITTING CONNECTOR (IN.)	1	
111	887-282	FITTING DRAIN (B)	1	
112	887-595	BALL VALVES	1	
113	886-794	MOUNT RUBBER (A)	4	
114	887-321	PLUG (A)	1	
115	306-326	O-RING (A)	1	
116	887-320	FITTING ELBOW (C)	1	
117	887-023	HOSE BAND	1	
118	887-007	TUBE (A)	1	
119	886-763	TUBE	2	

