

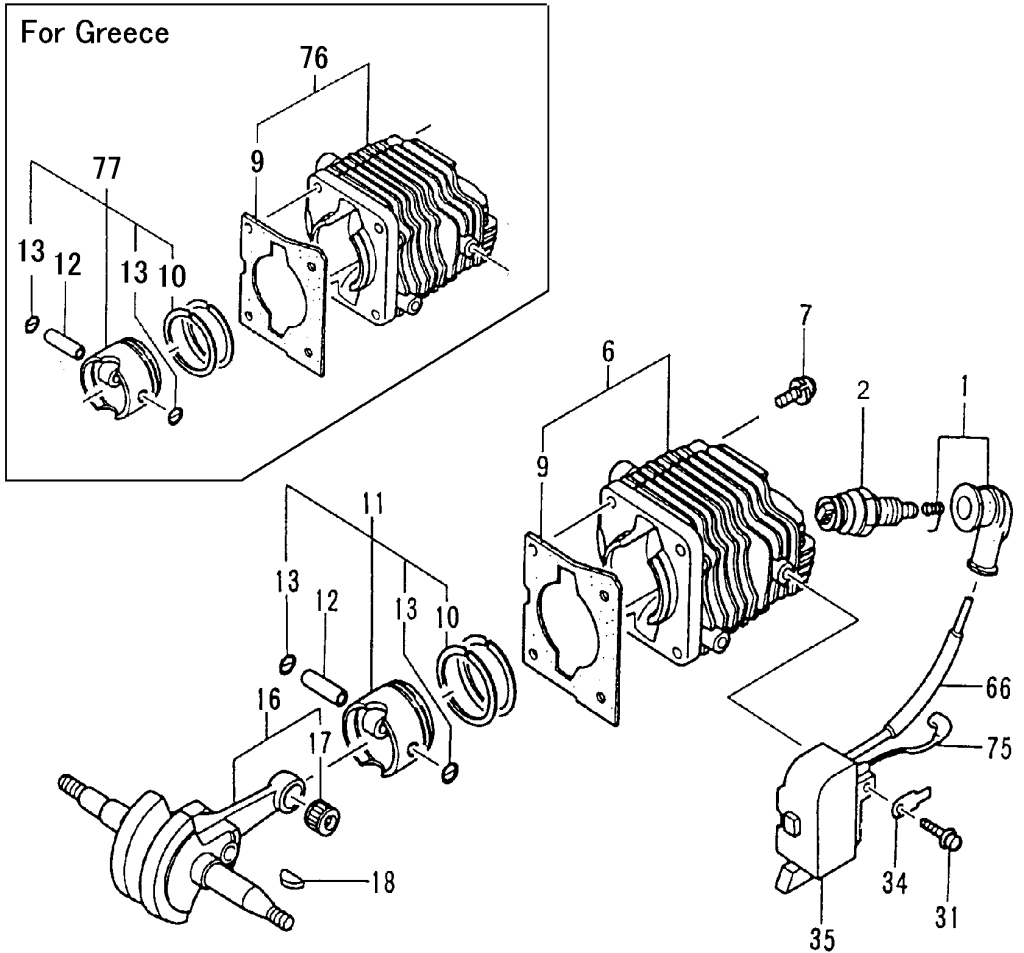
C05

Tanaka

ECS-3351/B/C/D

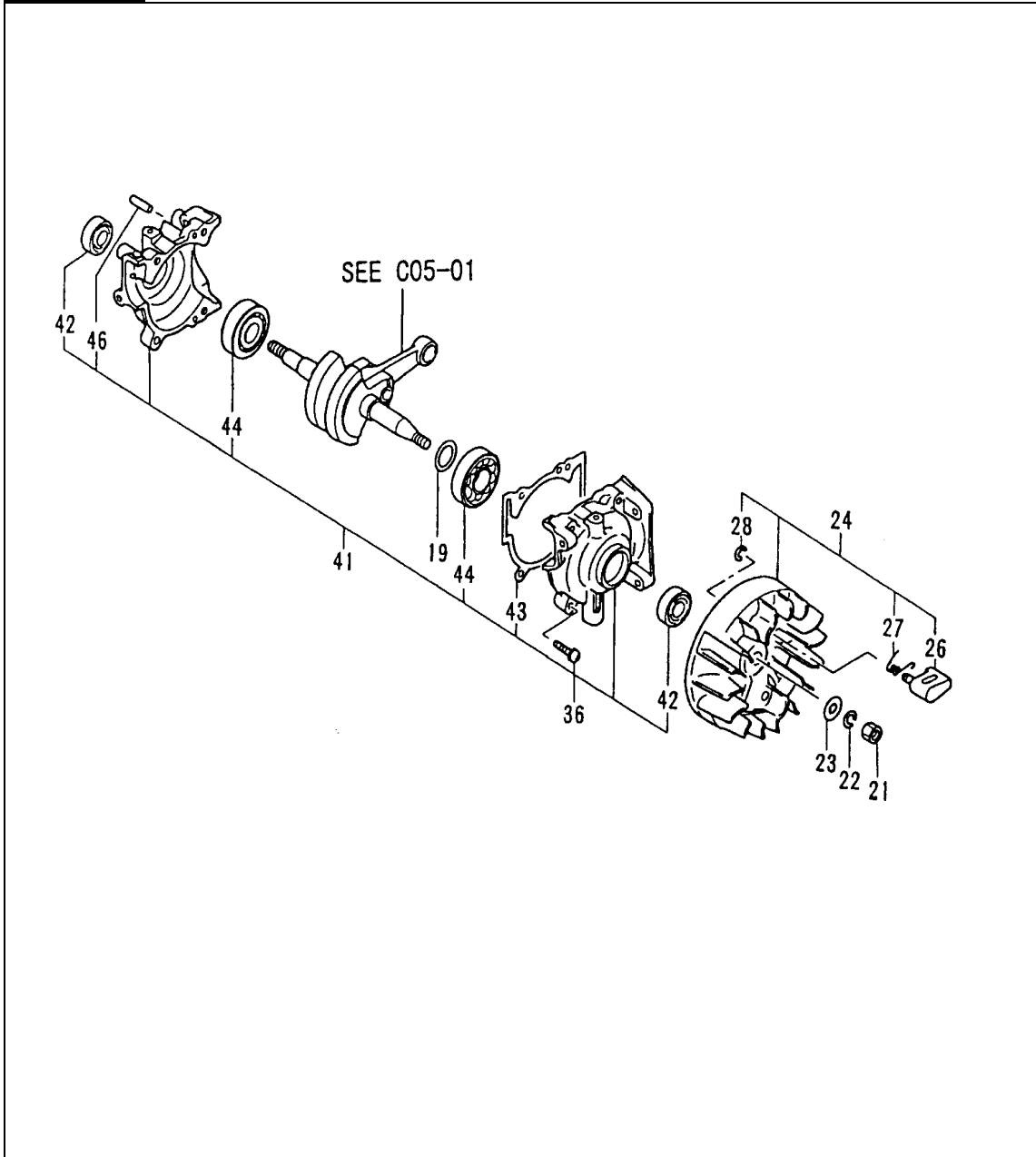
Serial No-B083550

C05-01 ECS-3351/B/C/D CYLINDER/PISTON/CRANK SHAFT



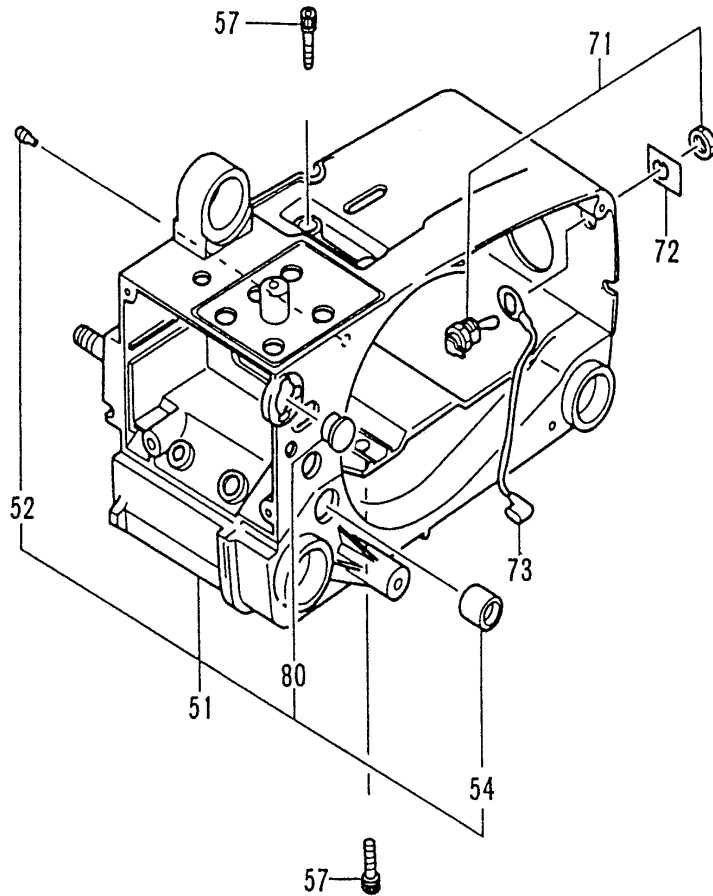
| REF. NUMBER | PARTS NUMBER | Q'TY | SERIAL NUMBER |
|-------------|----------------------|----------|---------------|
| 001 | 157-11666-90 | 1 | |
| 002 | 018-00562-20 | 1 | |
| 006 | 001-01740-90 | 1 | - U272561 |
| 006 | 001-01740-91 | 1 | U272562 - |
| 007 | 994-61050-164 | 4 | |
| 009 | 017-01740-20 | 1 | |
| 010 | 041-01730-20 | 2 | |
| 011 | 030-01740-90 | 1 | - U272561 |
| 011 | 030-01741-90 | 1 | U272562 - |
| 012 | 037-01400-20 | 1 | |
| 013 | 039-00000-20 | 2 | |
| 016 | 046-01740-80 | 1 | |
| 017 | 999-62091-325 | 1 | |
| 018 | 068-10100-20 | 1 | |
| 031 | 994-16040-186 | 2 | |
| 034 | 205-01700-20 | 1 | |
| 035 | 167-21529-80 | 1 | - S039107 |
| 035 | 167-21540-80 | 1 | S039108 - |
| 066 | 755-32050-20 | 1 | |
| 075 | 178-01740-80 | 1 | |
| 076 | 001-01740-90 | 1 | - T162250 |
| 076 | 001-01742-90 | 1 | T162551 - |
| 077 | 030-01740-90 | 1 | - T162550 |
| 077 | 030-01741-90 | 1 | T162551 - |

C05-02 ECS-3351/B/C/D CRANK CASE



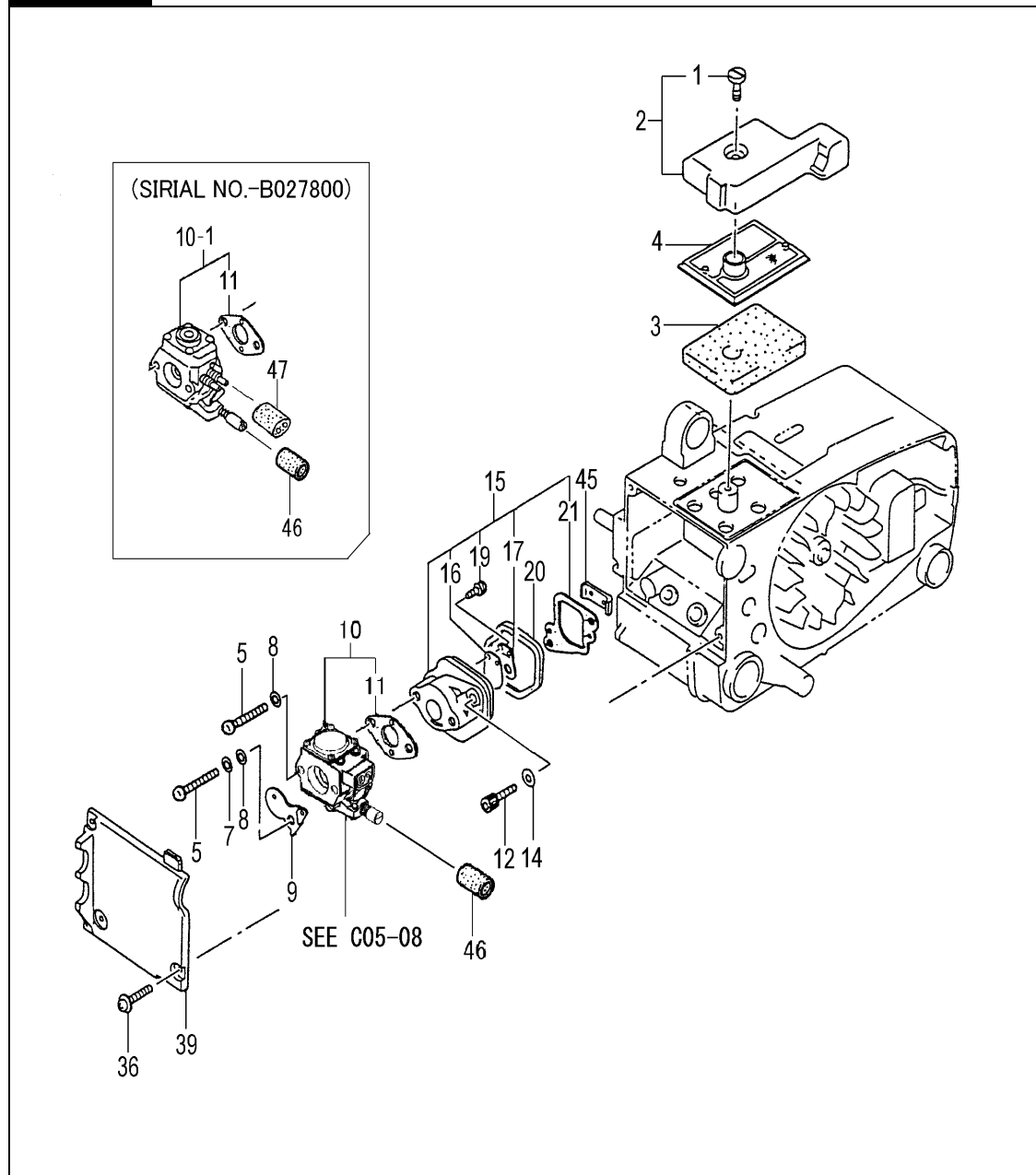
| REF. NUMBER | PARTS NUMBER | QTY | SERIAL NUMBER |
|-------------|----------------------|----------|---------------|
| 019 | 071-04063-21 | V | |
| 019 | 071-04063-23 | V | |
| 019 | 071-04063-24 | V | |
| 019 | 071-04063-25 | V | Y324501 - |
| 021 | 066-00000-20 | 1 | |
| 022 | 992-10070-012 | 1 | |
| 023 | 992-01070-011 | 1 | |
| 024 | 155-21529-91 | 1 | - S039107 |
| 024 | 155-21540-90 | 1 | S039108 - |
| 026 | 788-01740-20 | 2 | |
| 027 | 790-01740-20 | 2 | |
| 028 | 993-55040-001 | 2 | |
| 036 | 994-61050-204 | 4 | |
| 041 | 072-01740-93 | 1 | |
| 042 | 999-66122-200 | 2 | |
| 043 | 090-01740-21 | 1 | - Y060200 |
| 043 | 090-01741-20 | 1 | Y060201 - |
| 044 | 999-61620-106 | 2 | Z116001 - |
| 046 | 999-05250-980 | 1 | Z116001 - |

C05-03 ECS-3351/B/C/D ENGINE CASE



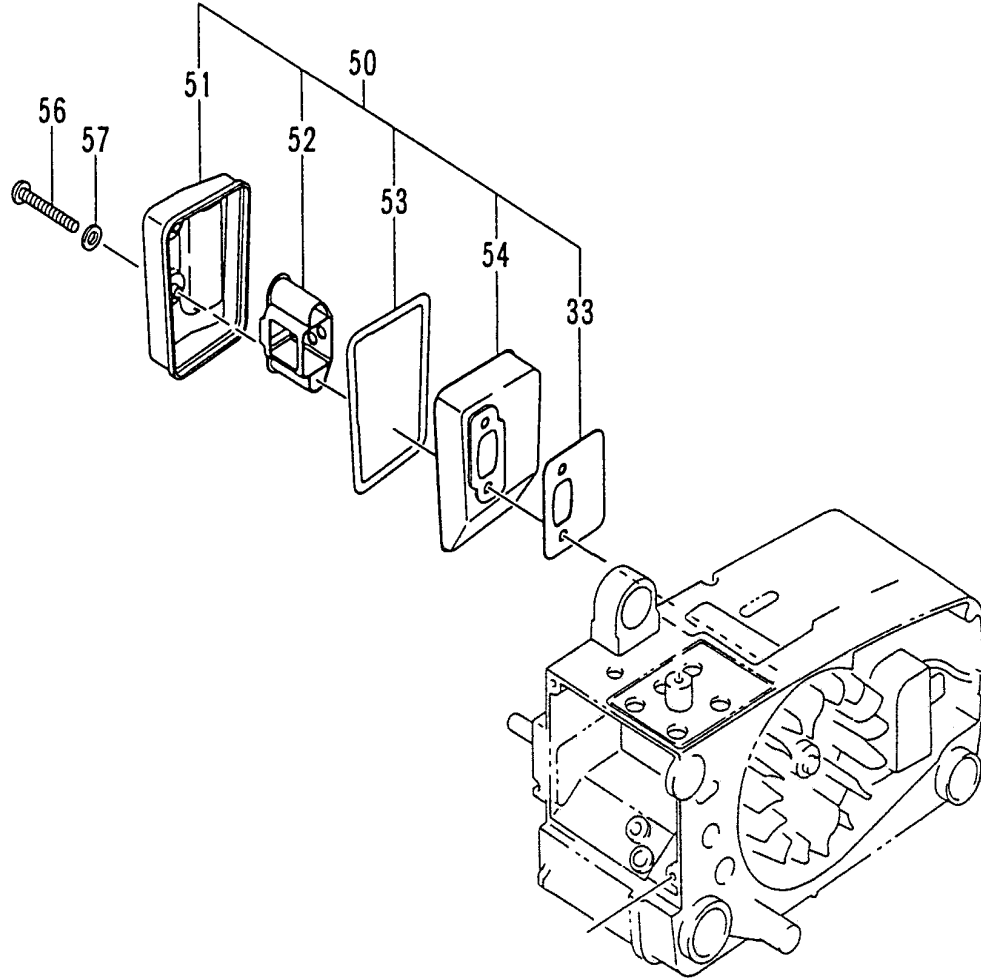
| REF. NUMBER | PARTS NUMBER | Q'TY | SERIAL NUMBER |
|-------------|---------------|------|---------------|
| 051 | 560-32900-90 | 1 | - U272561 |
| 051 | 560-32904-90 | 1 | U272562 - |
| 052 | 562-04060-20 | 1 | |
| 054 | 645-01750-90 | 1 | |
| 057 | 994-63050-204 | 4 | |
| 071 | 162-01570-90 | 1 | |
| 072 | 183-01300-20 | 1 | |
| 073 | 274-01710-80 | 1 | |
| 080 | 052-32900-21 | 1 | - U272561 |

C05-04 ECS-3351/B/C/D AIR CLEANER



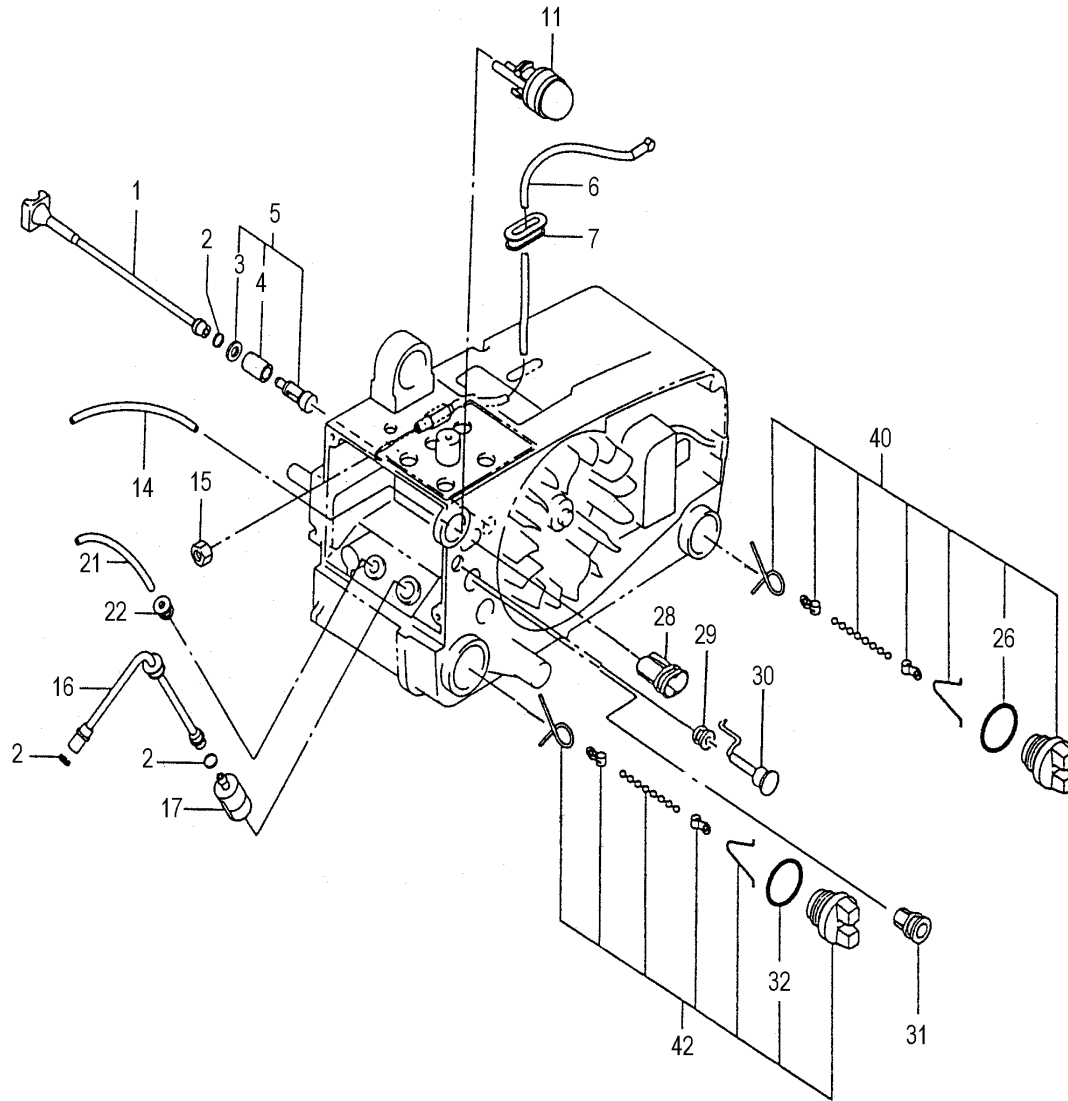
| REF. NUMBER | PARTS NUMBER | Q'TY | SERIAL NUMBER |
|--------------|---------------------|----------|------------------|
| 001 | 380-0631A-20 | 1 | |
| 002 | 051-32900-91 | 1 | |
| 003 | 446-01740-20 | 1 | R032271 - |
| 004 | 420-01740-80 | 1 | |
| 005 | 994-14050-451 | 2 | |
| 007 | 992-00050-011 | 1 | |
| 008 | 708-32350-20 | 2 | |
| 009 | 700-32918-20 | 1 | |
| 010,1 | 455-32900-92 | 1 | - U272561 |
| 010,1 | 455-32915-90 | 1 | - B027800 |
| 010 | 455-32947-90 | 1 | B027801 - |
| 011 | 402-01740-20 | 1 | |
| 012 | 994-61050-204 | 2 | |
| 014 | 992-00050-011 | 2 | |
| 015 | 404-01740-91 | 1 | |
| 016 | 394-01700-20 | 1 | |
| 017 | 395-01730-20 | 1 | |
| 019 | 990-15030-121 | 2 | |
| 020 | 409-01700-20 | 1 | |
| 021 | 403-01740-21 | 1 | |
| 036 | 990-75045-144 | 3 | |
| 039 | 152-3290J-21 | 1 | |
| 045 | 129-01730-20 | 1 | |
| 046 | 191-32970-20 | 1 | Z116001 - |
| 047 | 191-32964-20 | 1 | Z116001 - |
| 047 | 191-32964-20 | 1 | - B027800 |

C05-05 ECS-3351/B/C/D MUFFLER



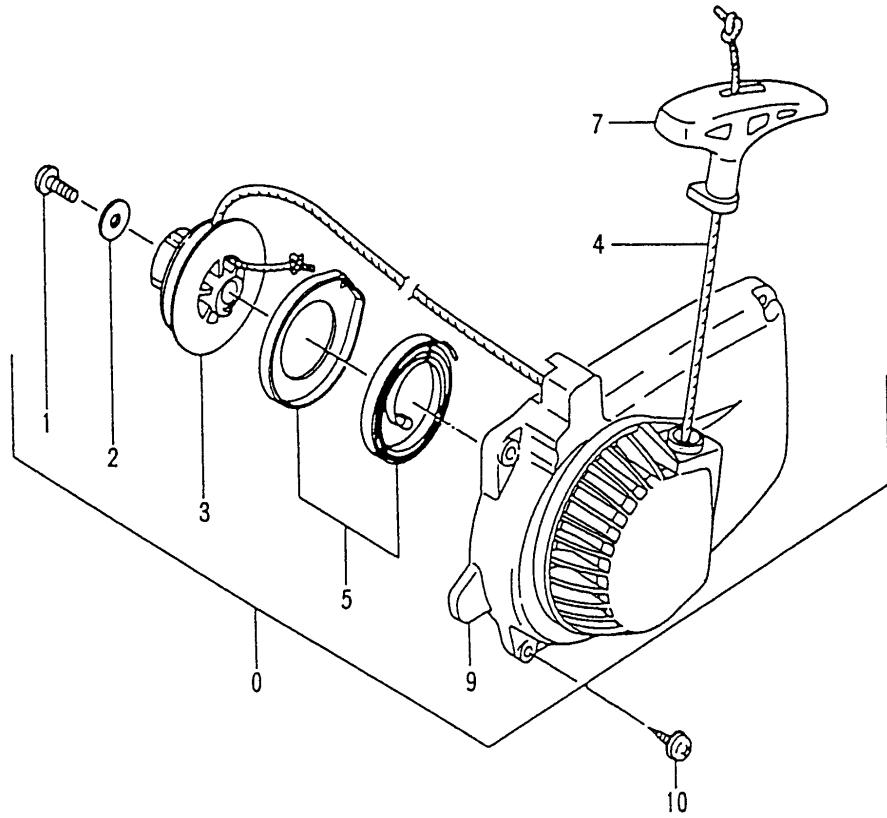
| REF. NUMBER | PARTS NUMBER | QTY | SERIAL NUMBER |
|-------------|---------------------|----------|------------------|
| 033 | 737-01700-20 | 1 | |
| 050 | 704-01741-90 | 1 | - B027800 |
| 050 | 704-0174C-90 | 1 | B027801 - |
| 051 | 717-01731-80 | 1 | - B027800 |
| 051 | 717-01740-80 | 1 | B027801 - |
| 052 | 724-01709-20 | 1 | |
| 053 | 739-01709-20 | 1 | |
| 054 | 716-01709-80 | 1 | |
| 056 | 990-11050-401 | 2 | |
| 057 | 992-01050-011 | 2 | |

C05-06 ECS-3351/B/C/D FUEL/OIL FILTER



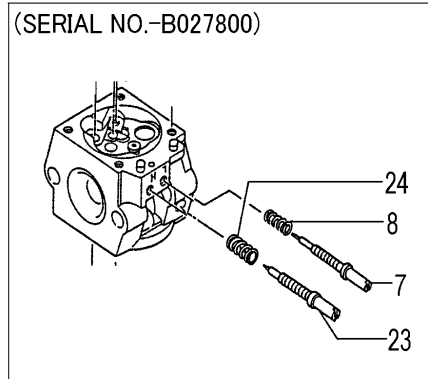
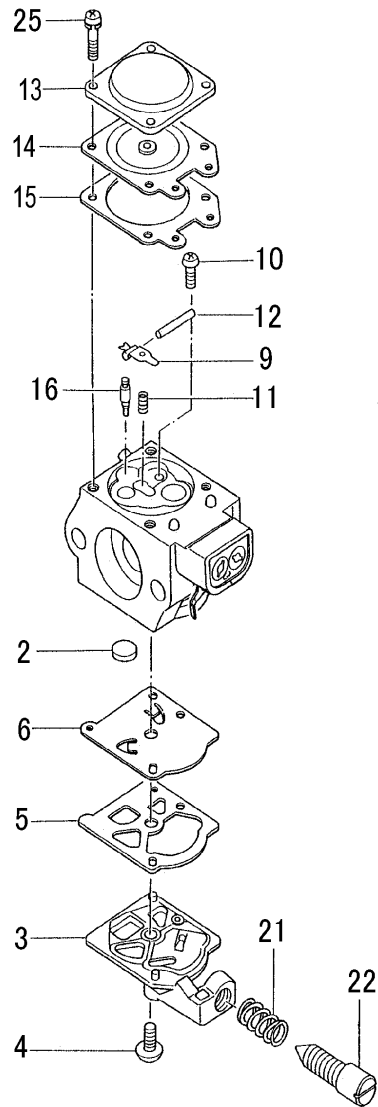
| REF. NUMBER | PARTS NUMBER | QTY | SERIAL NUMBER |
|-------------|---------------------|----------|------------------|
| 001 | 505-32710-20 | 1 | |
| 002 | 680-04019-21 | 3 | |
| 003 | 992-01050-011 | 1 | |
| 004 | 487-32712-20 | 1 | |
| 005 | 486-32710-90 | 1 | |
| 006 | 885-01740-81 | 1 | |
| 007 | 964-01710-20 | 1 | |
| 011 | 442-25143-80 | 1 | U272562 - |
| 014 | 700-02504-04 | 1 | U272562 - |
| 015 | 991-01060-013 | 1 | |
| 016 | 678-01740-20 | 1 | |
| 017 | 675-11600-90 | 1 | |
| 021 | 700-02504-15 | 1 | U272562 - |
| 022 | 534-32710-20 | 1 | U272562 - |
| 026 | 999-67018-000 | 1 | |
| 028 | 190-32710-20 | 1 | - B027800 |
| 028 | 190-3290G-20 | 1 | B027801 - |
| 029 | 707-32710-20 | 1 | |
| 030 | 704-32710-80 | 1 | |
| 031 | 191-32710-20 | 1 | |
| 032 | 999-67020-000 | 1 | |
| 040 | 642-32719-90 | 1 | |
| 042 | 635-32719-90 | 1 | |

C05-07 ECS-3351/B/C/D RECOIL STARTER



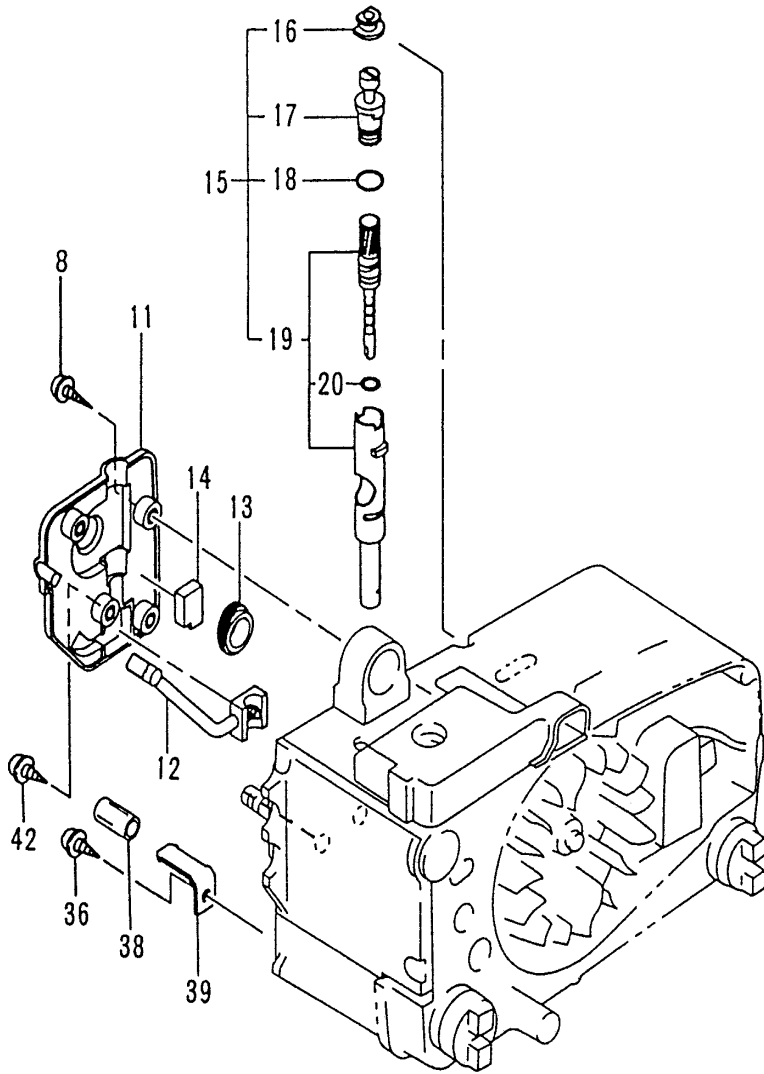
| REF. NUMBER | PARTS NUMBER | QTY | SERIAL NUMBER |
|-------------|---------------|-----|---------------|
| 000 | 756-01740-90 | 1 | |
| 001 | 990-72050-144 | 1 | |
| 002 | 368-32350-20 | 1 | |
| 003 | 774-01740-20 | 1 | |
| 004 | 783-01740-20 | 1 | |
| 005 | 778-01740-90 | 1 | |
| 007 | 785-01740-20 | 1 | |
| 009 | 112-01740-80 | 1 | |
| 010 | 990-72045-204 | 4 | |

C05-08 ECS-3351/B/C/D CARBURETOR



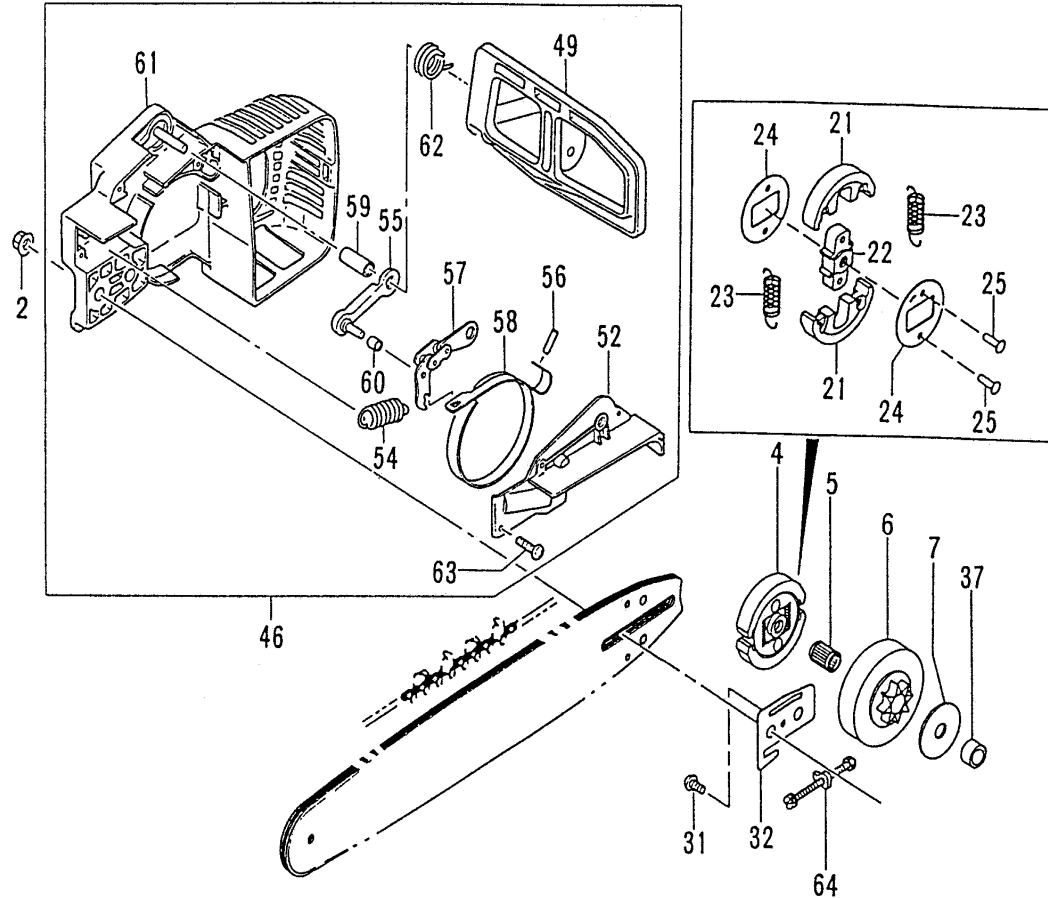
| REF. NUMBER | PARTS NUMBER | Q'TY | SERIAL NUMBER |
|-------------|---------------------|----------|------------------|
| 002 | 578-25007-20 | 1 | |
| 003 | 575-25028-20 | 1 | - B027800 |
| 003 | 575-25006-20 | 1 | B027801 - |
| 004 | 514-25001-20 | 1 | |
| 005 | 577-25007-20 | 1 | |
| 006 | 576-25006-20 | 1 | |
| 007 | 461-25027-20 | 1 | - B027800 |
| 008 | 623-25032-20 | 1 | - B027800 |
| 009 | 473-25001-20 | 1 | |
| 010 | 546-25001-20 | 1 | |
| 011 | 477-25013-20 | 1 | - S146000 |
| 011 | 477-25080-20 | 1 | - V081558 |
| 011 | 477-25088-20 | 1 | V081559 - |
| 012 | 605-25001-20 | 1 | |
| 013 | 476-25004-20 | 1 | |
| 014 | 474-25001-80 | 1 | |
| 015 | 475-25038-20 | 1 | |
| 016 | 603-25001-20 | 1 | - S146000 |
| 016 | 603-25012-20 | 1 | - S203600 |
| 016 | 603-25001-20 | 1 | - T039708 |
| 016 | 603-25012-20 | 1 | T039709 - |
| 021 | 463-25006-20 | 1 | |
| 022 | 462-25016-20 | 1 | |
| 023 | 460-25027-20 | 1 | - B027800 |
| 024 | 485-25040-20 | 1 | - B027800 |
| 025 | 548-25012-20 | 4 | |

C05-09 ECS-3351/B/C/D OIL PUMP



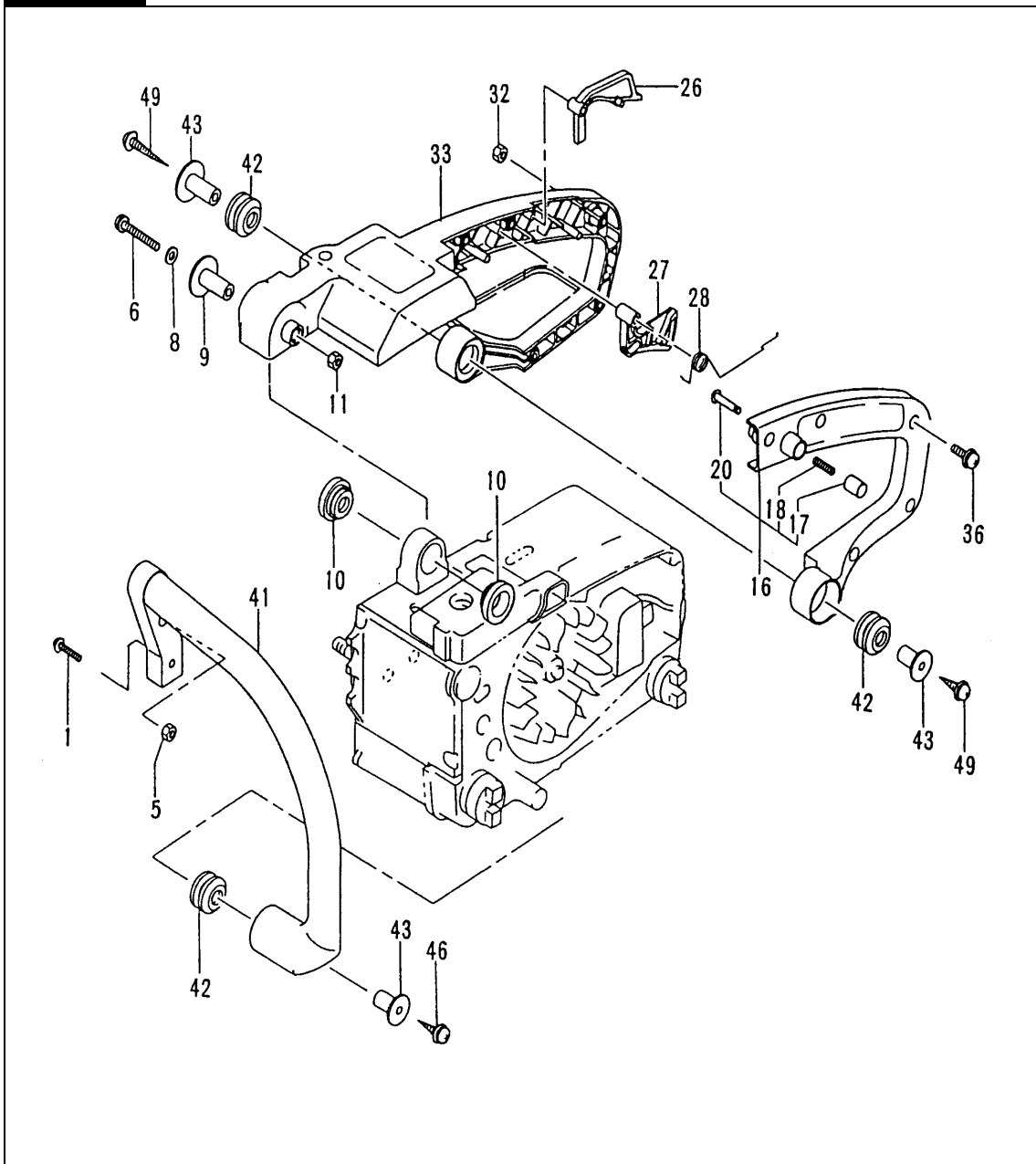
| REF. NUMBER | PARTS NUMBER | QTY | SERIAL NUMBER |
|-------------|---------------|-----|---------------|
| 008 | 994-16050-141 | 2 | |
| 011 | 097-32900-20 | 1 | |
| 012 | 515-32710-20 | 1 | |
| 013 | 084-32900-20 | 1 | |
| 014 | 567-01700-20 | 1 | |
| 015 | 144-32902-90 | 1 | |
| 016 | 488-32710-21 | 1 | |
| 017 | 501-32710-21 | 1 | |
| 018 | 999-67006-000 | 1 | |
| 019 | 088-3277A-91 | 1 | |
| 020 | 999-67006-000 | 1 | |
| 036 | 990-72050-144 | 1 | |
| 038 | 700-07105-02 | 1 | |
| 039 | 125-32710-20 | 1 | |
| 042 | 990-75045-144 | 2 | |

C05-10 ECS-3351/B/C/D CLUTCH / CHAIN BRAKE



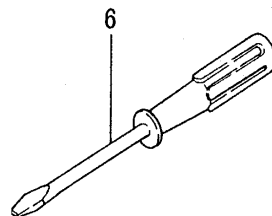
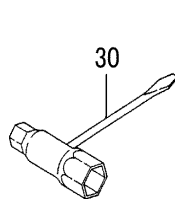
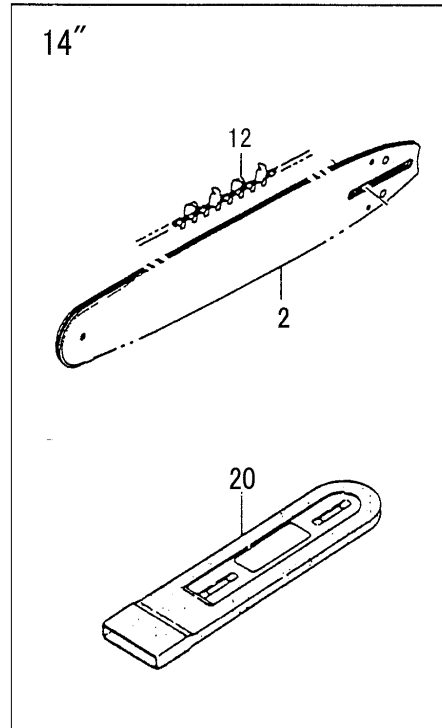
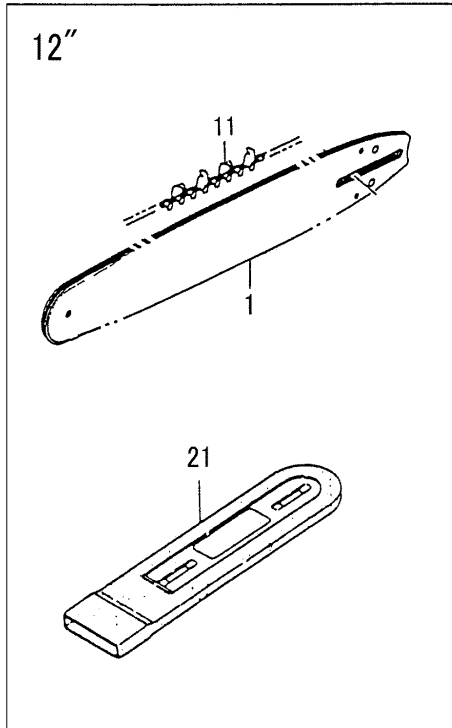
| REF. NUMBER | PARTS NUMBER | Q'TY | SERIAL NUMBER |
|-------------|---------------|------|---------------|
| 002 | 121-32530-20 | 1 | |
| 004 | 287-01700-81 | 1 | |
| 005 | 999-62101-301 | 1 | |
| 006 | 310-32710-20 | 1 | |
| 007 | 358-04050-20 | 1 | |
| 021 | 345-01700-20 | 2 | |
| 022 | 346-01700-20 | 1 | |
| 023 | 342-01700-20 | 2 | |
| 024 | 348-01700-21 | 2 | |
| 025 | 992-74004-143 | 2 | |
| 031 | 993-41040-101 | 1 | |
| 032 | 466-32710-21 | 1 | |
| 037 | 511-32900-20 | 1 | |
| 046 | 040-32901-90 | 1 | |
| 049 | 365-32901-80 | 1 | |
| 052 | 375-32900-21 | 1 | |
| 054 | 374-32900-20 | 1 | |
| 055 | 386-32901-80 | 1 | |
| 056 | 999-05300-980 | 1 | |
| 057 | 379-32901-80 | 1 | |
| 058 | 378-32900-20 | 1 | |
| 059 | 470-10246-20 | 1 | |
| 060 | 031-32901-20 | 1 | |
| 061 | 039-32901-80 | 1 | |
| 062 | 388-32900-20 | 1 | |
| 063 | 993-41040-151 | 3 | |
| 064 | 116-32710-90 | 1 | |

C05-11 ECS-3351/B/C/D HANDLE



| REF. NUMBER | PARTS NUMBER | Q'TY | SERIAL NUMBER |
|-------------|---------------|------|---------------|
| 001 | 994-15050-251 | 1 | |
| 005 | 991-74050-010 | 1 | |
| 006 | 994-14050-401 | 1 | |
| 008 | 992-00050-011 | 1 | |
| 009 | 275-32710-20 | 1 | |
| 010 | 219-32750-20 | 2 | |
| 011 | 991-74050-010 | 1 | |
| 016 | 011-32901-80 | 1 | |
| 017 | 725-32161-20 | 1 | |
| 018 | 066-32300-20 | 1 | |
| 020 | 064-33225-20 | 1 | |
| 026 | 257-32900-20 | 1 | |
| 027 | 060-32900-20 | 1 | |
| 028 | 061-32750-20 | 1 | |
| 032 | 991-01040-011 | 5 | |
| 033 | 010-32750-81 | 1 | |
| 036 | 994-16040-226 | 5 | |
| 041 | 209-32750-80 | 1 | |
| 042 | 266-32750-20 | 3 | |
| 043 | 276-32710-20 | 3 | |
| 046 | 990-73050-354 | 1 | |
| 049 | 990-73050-354 | 2 | |

C05-12 ECS-3351/B/C/D COVER/CHAIN



| REF. NUMBER | PARTS NUMBER | QTY | SERIAL NUMBER |
|-------------|---------------------|----------|------------------|
| 001 | 109-32770-20 | 1 | |
| 002 | 108-32815-20 | 1 | |
| 006 | 081-29329-7U | 1 | B027801 - |
| 011 | 128-32911-20 | 1 | |
| 012 | 129-32900-20 | 1 | |
| 020 | 946-32753-20 | 1 | |
| 021 | 943-32713-20 | 1 | |
| 030 | 013-29323-50 | 1 | |