

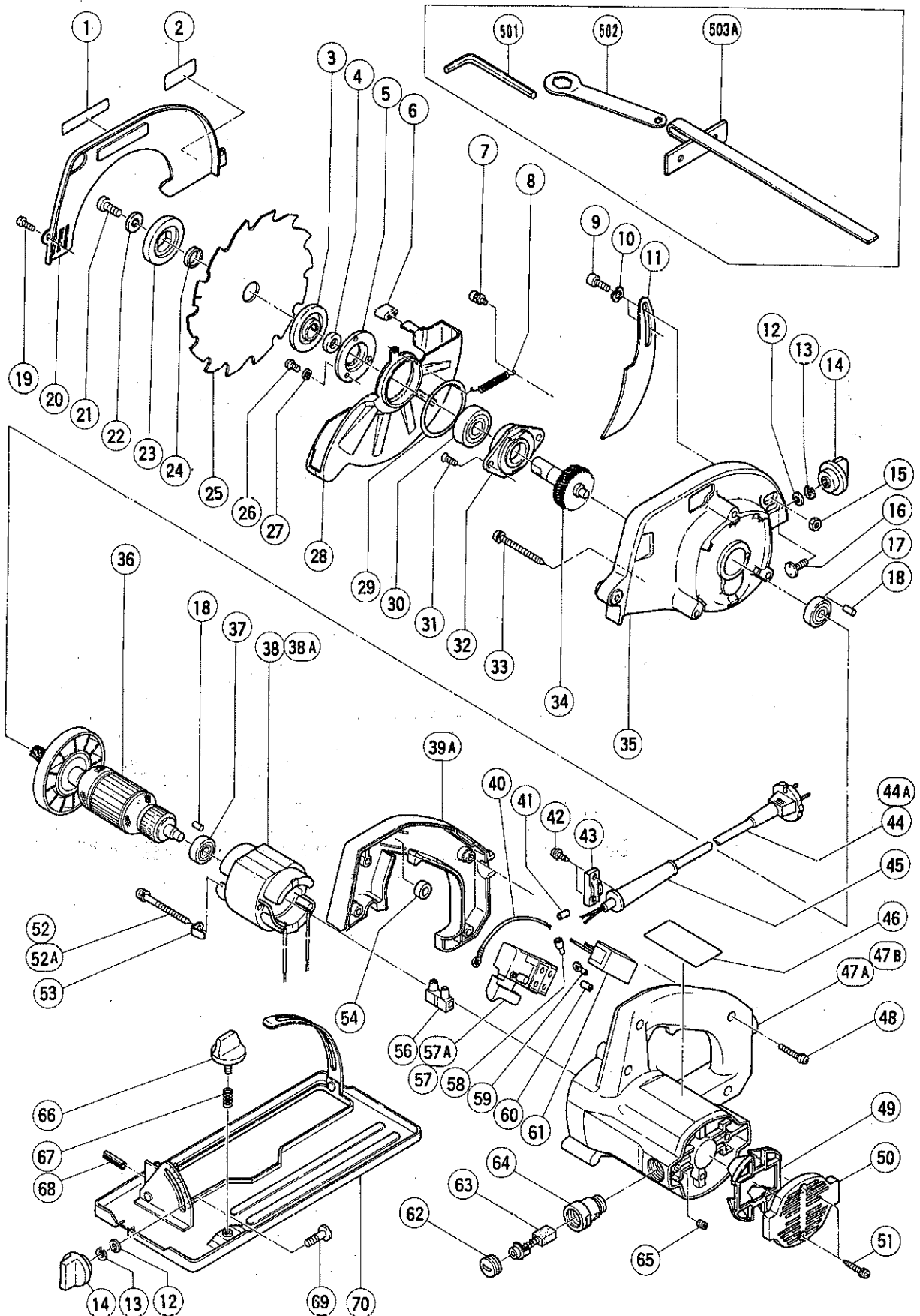
HITACHI

LIST NO. 0892

ELECTRIC TOOL PARTS LIST

■ CIRCULAR SAW
Model FC 6SA

1994 · 3 · 3
(E5)



PARTS

FC 6SA

ITEM NO.	CODE NO.	DESCRIPTION	NO. USED	REMARKS
1	957-581	HITACHI LABEL	1	
* 2		CAUTION PLATE	1	
* 2	958-052Z	CAUTION PLATE (ENGLISH)	1	
* 3	993-598	WASHER (A)	1	FOR D19/20 HOLE
* 3	940-840	WASHER (A)	1	FOR D30 HOLE FOR ITA,AUT,GBR (SINCE 8.1990)
* 3	990-099	WASHER (A)	1	FOR D18 HOLE FOR FRA,SUI (FOR GBR TILL 7.1990)
* 4	981-366	DISTANCE PIECE	1	(FOR GBR TILL 7.1990)
* 4	940-839	DISTANCE PIECE	1	FOR ITA,AUT,GBR (SINCE 8.1990)
5	941-049	BEARING CAP	1	
6	963-718Z	RUBBER BUSHING	1	
7	986-723	MACHINE SCREW (W/WASHERS) M4X8	1	
8	993-851	RETURN SPRING	1	
* 9	949-660	HEX. SOCKET HD. BOLT M6X20 (10 PCS.)	2	FOR PRODUCT W/RIVING KNIFE
* 10	948-187	SUPER LOCK WASHER M6	2	FOR PRODUCT W/RIVING KNIFE
* 11	991-035	RIVING KNIFE	1	FOR PRODUCT W/RIVING KNIFE
12	949-425	WASHER M6 (10 PCS.)	2	
13	949-455	SPRING WASHER M6 (10 PCS.)	2	
14	993-842	KNOB NUT M6	2	
* 15	949-556	NUT M6 (10 PCS.)	2	FOR PRODUCT W/RIVING KNIFE
16	957-073	BOLT (SQUARE) M6X25	1	
17	600-0VV	BALL BEARING 6000VVCMP2S	1	
18	931-701	BEARING LOCK	2	
19	949-215	MACHINE SCREW M4X8 (10 PCS.)	3	
20	993-844	SAW COVER	1	
21	963-716Z	HEX. SOCKET HD. BOLT M7X17.5	1	
22	940-845	WASHER	1	
* 23	957-064	WASHER (B)	1	(FOR GBR TILL 7.1990)
* 23	940-841	WASHER (B)	1	FOR ITA,AUT,GBR (SINCE 8.1990)
* 24	958-048Z	ADAPTER RING D30/I.D19	1	FOR ITA,AUT,GBR (SINCE 8.1990)
* 24	990-100	RING D15.9/I.D14.5	1	FOR FRA,SUI (FOR GBR TILL 7.1990)
* 25	993-849	SAW BLADE (COMBINATION) 180MM - D18 HOLE	1	
* 25	993-848	SAW BLADE (COMBINATION) 180MM - D20 HOLE	1	
* 25	993-850	SAW BLADE (COMBINATION) 180MM - D30 HOLE	1	
* 25	993-831	TCT SAW BLADE 180MM - D16 HOLE	1	
* 25	993-830	TCT SAW BLADE 180MM - D20 HOLE	1	
* 25	993-854	TCT SAW BLADE 180MM - D30 HOLE	1	
26	949-203	MACHINE SCREW M3X8 (10 PCS.)	3	
27	949-451	SPRING WASHER M3 (10 PCS.)	3	
* 28	993-839	SAFETY COVER	1	FOR PRODUCT W/O RIVING KNIFE
* 28	993-840	SAFETY COVER	1	FOR PRODUCT W/RIVING KNIFE
29	963-733Z	THRUST WASHER (T0.1)	1	
30	620-2VV	BALL BEARING 6202VVCMP2S	1	
31	949-322	FLAT HD. SCREW M4X10 (10 PCS.)	2	
32	941-048	BEARING HOLDER	1	
33	990-453	TAPPING SCREW (W/SP. WASHER) D5X50	3	
* 34	990-313	SPINDLE GEAR	1	
* 34	993-846	SPINDLE GEAR	1	FOR FRA,SUI (FOR GBR TILL 7.1990)
35	993-841	GEAR COVER	1	
* 36	360-030E	ARMATURE 220V - 230V	1	

*: ALTERNATIVE PARTS

PARTS

FC 6SA

ITEM NO.	CODE NO.	DESCRIPTION	NO. USED	REMARKS
* 36	360-030F	ARMATURE 240V	1	
37	608-VVM	BALL BEARING 608VVMC2EPS2L	1	
* 38	340-031E	STATOR 220V - 230V	1	
* 38	340-031F	STATOR 240V	1	
* 38A	340-031G	STATOR 220V - 230V	1	FOR ITA,FRG,FRA,BEL,HOL,DEN,SWE,SUI
* 39A	993-838	HANDLE COVER (MOSS GREEN)	1	
* 40	994-190	INTERNAL WIRE	1	
* 41	981-373	TUBE (D)	2	FOR CORD
42	984-750	TAPPING SCREW (W/FLANGE) D4X16	2	
43	937-831	CORD CLIP	1	
* 44	930-093	CORD	1	(CORD ARMOR D10.7)
* 44	500-223Z	CORD	1	(CORD ARMOR D10.7) FOR SIN,KUW
* 44	500-226Z	CORD	1	(CORD ARMOR D8.2) FOR AUS,NZL,NGU
* 44	500-234Z	CORD	1	(CORD ARMOR D8.2) FOR INA,ITA,FRG,FRA, HOL,DEN,AUT
* 44	500-245Z	CORD	1	(CORD ARMOR D10.7) FOR SYR
* 44	500-247Z	CORD	1	(CORD ARMOR D10.7) FOR FIN,SWE,NOR
* 44	500-248Z	CORD	1	(CORD ARMOR D10.7) FOR SUI
* 44	958-271Z	CORD	1	(CORD ARMOR D8.2) FOR SAF
* 44A	500-435Z	CORD	1	(CORD ARMOR D8.2) FOR GBR
* 45	958-049Z	CORD ARMOR D8.2	1	
* 45	940-778	CORD ARMOR D10.7	1	
46		NAME PLATE	1	
* 47A	998-641	HOUSING ASS'Y (MOSS GREEN)	1	INCLUD.52A,64,65
* 47A	998-642	HOUSING ASS'Y (MOSS GREEN)	1	INCLUD.52A,64,65 FOR AUS,GBR,ITA,DEN, SWE,NOR,SUI,BEL
* 47B	998-643	HOUSING ASS'Y (MOSS GREEN)	1	INCLUD.52A,64,65 FOR AUT
48	958-636	TAPPING SCREW (W/WASHER) D4X25	4	
49	994-415	FLOW GUIDE	1	
50	958-396	TAIL COVER	1	
51	930-446	TAPPING SCREW (W/WASHER) D4X16	2	
52	993-852	MACHINE SCREW (W/WASHERS) M5X60	2	TILL 7.1987
52A	991-007	TAPPING SCREW D5X60	2	SINCE 8.1987
* 53	993-853	EARTH WASHER D5	1	FOR NOISE SUPPRESSOR
54	940-811	PUSHING HOLDER	1	TILL 1.1987
* 56	938-307Z	PILLAR TERMINAL	1	FOR FIN
* 57	958-400Z	SWITCH (2P PILLAR TYPE) W/O LOCK	1	FOR SUI
* 57	963-756Z	SWITCH (2P PILLAR TYPE) W/SAFETY LOCK	1	FOR FRA
* 57A	987-058	SWITCH (2P PILLAR TYPE) W/LOCK	1	
* 57A	990-744	SWITCH (2P PILLAR TYPE) W/O LOCK	1	FOR NZL,AUS,GBR,SAF,ITA,HOL,DEN,FIN,SWE, AUT,BEL,FRG
* 58	959-140	CONNECTOR 50091 (10 PCS.)	3	FOR SUI
* 59	981-419Z	TERMINAL	1	FOR AUS
* 59	983-504	TERMINAL	1	FOR FRA,HOL,DEN,FRG,GBR,SAF,ITA,SWE,NOR
* 60	981-373	TUBE (D)	2	FOR NOISE SUPPRESSOR
* 61	994-273	NOISE SUPPRESSOR	1	
* 62	945-161	BRUSH CAP	2	
* 62	981-781	BRUSH CAP	2	FOR AUT
63	999-043	CARBON BRUSH (1 PAIR)	2	
* 64	958-900	BRUSH HOLDER	2	
* 64	981-586	BRUSH HOLDER	2	FOR AUT

*: ALTERNATIVE PARTS

PARTS

FC 6SA

ITEM NO.	CODE NO.	DESCRIPTION	NO. USED	REMARKS
65	982-782	HEX. SOCKET SET SCREW M5X6	2	
66	993-843	KNOB BOLT M6X14	1	
67	941-056	SPRING	1	
68	949-515	ROLL PIN D6X30 (10 PCS.)	1	
69	993-845	BOLT (SQUARE) M6X15	1	
70	993-847	BASE ASS'Y	1	INCLUD.12 - 14,66,67,69

STANDARD ACCESSORIES

ITEM NO.	CODE NO.	DESCRIPTION	NO. USED	REMARKS
501	944-459	HEX. BAR WRENCH 5MM	1	
502	941-057	WRENCH (HEX. SOCKET 10/19.2MM)	1	
503A	991-743	GUIDE	1	

OPTIONAL ACCESSORIES

ITEM NO.	CODE NO.	DESCRIPTION	NO. USED	REMARKS
601	961-438Z	DUST COLLECTOR SET	1	FOR FRG,BEL
602	993-854	TCT SAW BLADE 160MM - D30 HOLE	1	
603	879-411	SAW BLADE FOR FINISHING D160X20	1	
604	879-395	TCT SAW BLADE 160MM - D20 HOLE - NT14	1	

* : ALTERNATIVE PARTS