

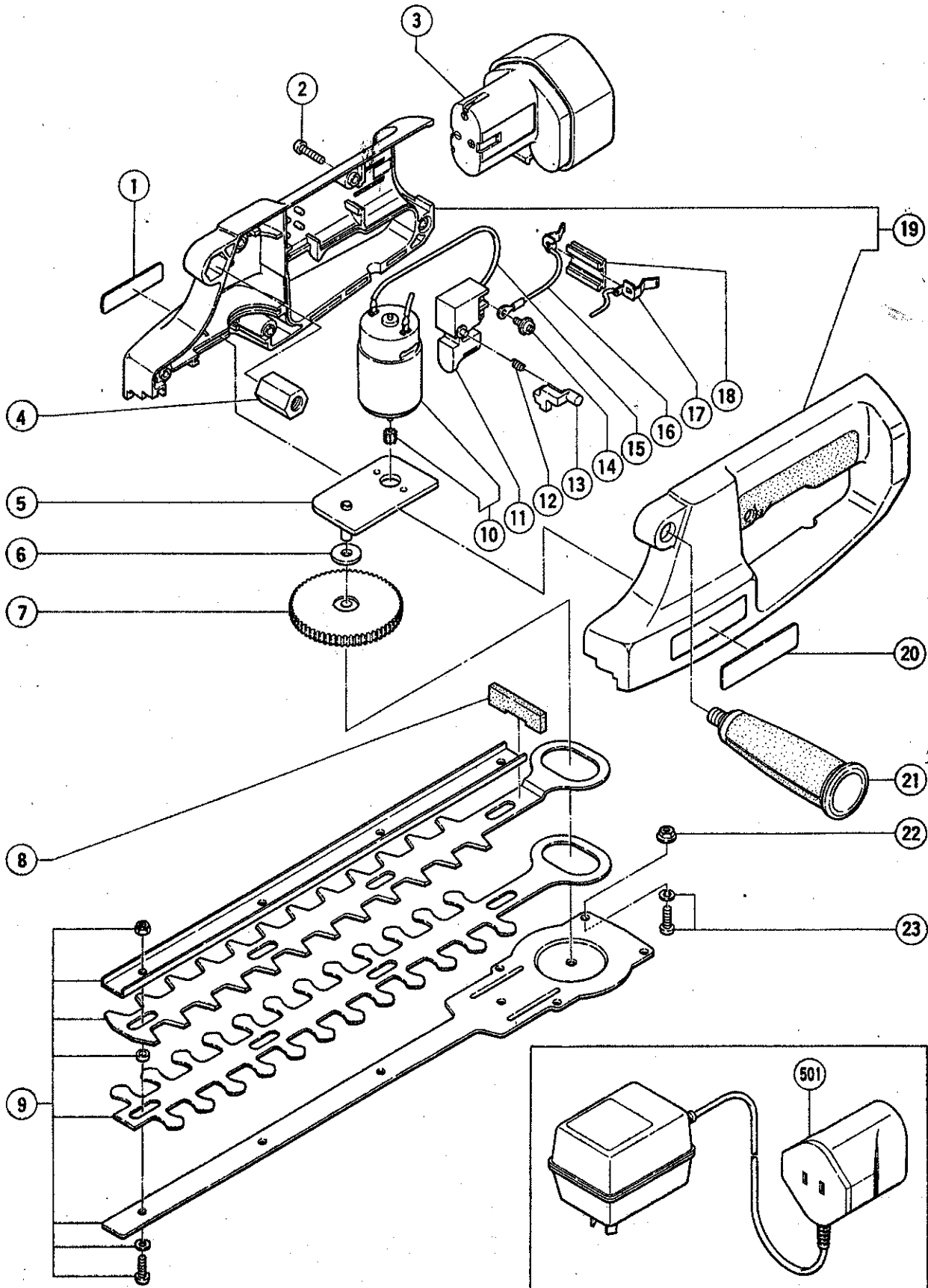
ELECTRIC TOOL PARTS LIST

■ CORDLESS HEDGE TRIMMER

1986.5.15

Model FCH30D

FCH30D(E1)



PARTS

FCH30D(E1)

Item No.	Code No.	Part Name	Q'ty	Remarks
1	—	Caution Plate	1	
2	980067	Tapping Screw D4 x 16	5	(High and Low Screw Type)
3	—	Battery	1	See alternative parts
4	996679	Nut M10 x 25	1	
5	996674	Holder	1	
6	996675	Washer	1	
7	996676	Gear	1	
8	996678	Dust Felt	1	
9	996677	Blade Set	1	
10	996670	Motor	1	
11	980061	Switch	1	
12	990545	Spring (C)	1	
13	996680	Stopper Piece	1	
14	980060	Machine Screw M3.5 x 5	2	W/Washer
15	996673	Internal Wire	1	
16	996672	Terminal	1	
17	996671	Terminal	1	
18	991666	Terminal Support	1	
19	996681	Housing	1	
20	—	Name Plate	1	
21	981828	Side Handle	1	
22	996683	Flange Nut M4	4	
23	951039	Machine Screw M4 x 12	4	W/Spring Lock Washer

ALTERNATIVE PARTS

Item No.	Code No.	Part Name	Q'ty	Remarks
3	991642Z	Battery (Model EB9, W/English N.P.)	1	
	991644Z	Battery (Model EB9, W/English N.P.)	1	for U.S.A., Canada
	991641Z	Battery (Model EB9, W/German N.P.)	1	
	991643Z	Battery (Model EB9, W/French N.P.)	1	

STANDARD ACCESSORIES

Item No.	Code No.	Part Name	Q'ty	Remarks
501	—	Charger (Model UC9SA)	1	