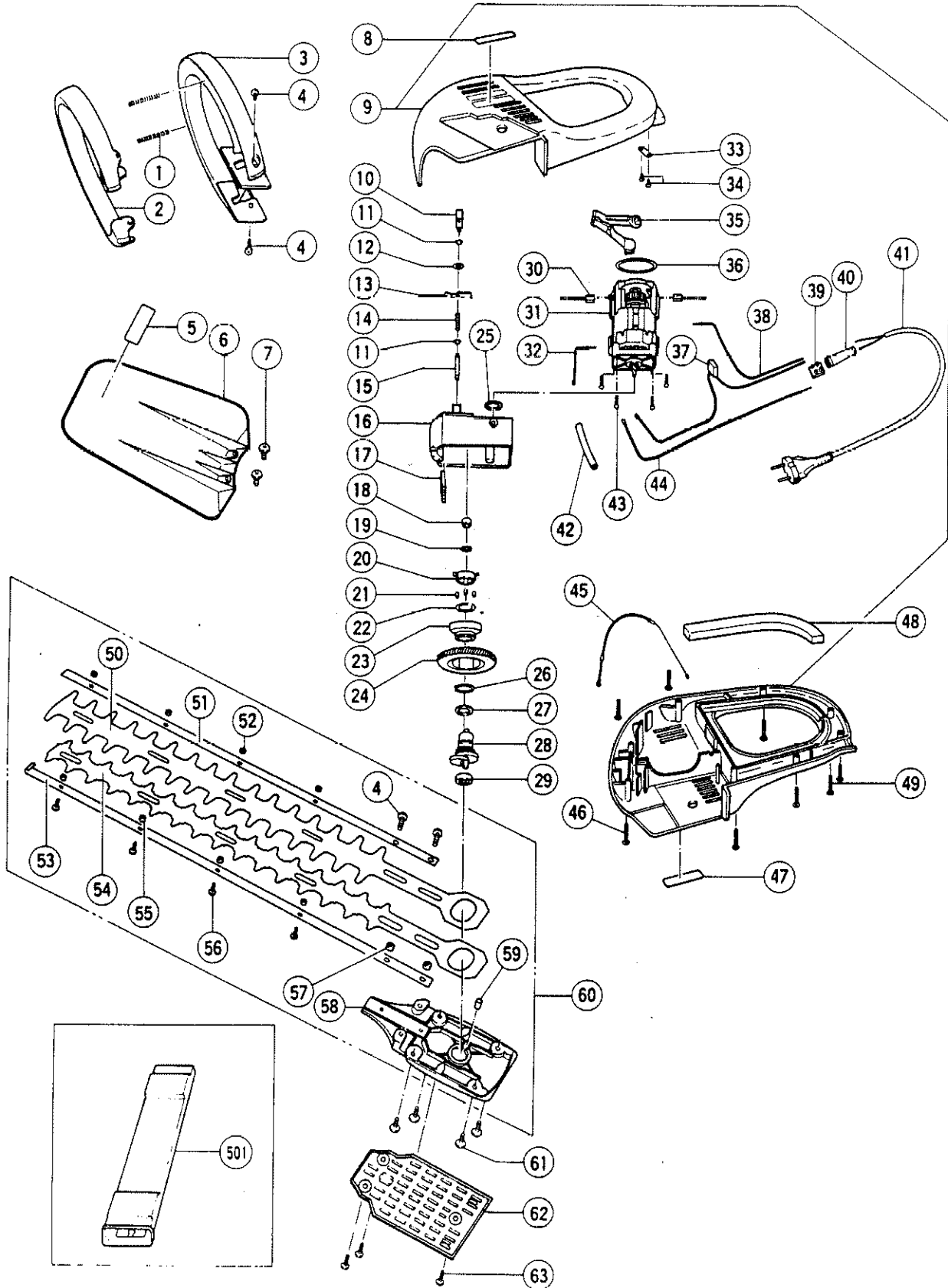


ELECTRIC TOOL PARTS LIST

■ HEDGE TRIMMER
Model FCH 48Y

1996 · 4 · 20
(E1)



PARTS

FCH 48Y

ITEM NO.	CODE NO.	DESCRIPTION	NO. USED	REMARKS
1	312-778	SPRING (L55)	2	
2	312-757	SUB HANDLE LEVER	1	
3	312-756	SUB HANDLE	1	
4	312-751	SCREW M6X18	4	
5		CAUTION PLATE	1	
6	312-789	PROTECTOR	1	
7	312-785	SCREW M6X12	2	
8		HITACHI LABEL	1	
9	312-754	HOUSING (A),(B) SET	1	
10	312-773	SWITCH	1	
11	312-777	GRIP RING D4 SHAFT	2	
12	949-424	WASHER M5 (10 PCS.)	1	
13	312-765	ROCKER	1	
14	312-779	SPRING (L22)	1	
15	312-767	CLUTCH PIN	1	
16	312-758	GEAR HOUSING	1	
17	312-782	FELT	1	
18	312-781	NEEDLE BEARING	1	
19	312-780	WASHER M8	1	
20	312-784	CLUTCH GUIDE HOUSING	1	
21	312-776	PIN D4X10	3	
X 22	312-794	O - RING (I.D 26)	1	
23	312-783	CLUTCH BODY	1	
24	312-781	GEAR	1	
25	312-790	O - RING (I.D 18)	1	
26	965-469	RETAINING RING FOR D25 SHAFT	1	
X 27	312-795	O - RING (I.D 13)	1	
28	312-782	ECCENTRIC SHAFT	1	
29	626-VVM	BALL BEARING 626VVMC2ERPS2S	1	
30	312-800	CARBON BRUSH (1 PAIR)	2	
31	312-780	MOTOR	1	
32	312-788	INTERNAL WIRE (12)	1	
33	312-774	CORD CLIP	1	
34	312-784	TAPPING SCREW D3.5X12	2	
35	312-759	SWITCH ELEMENT	1	
36	312-775	O - RING (I.D 58)	1	
37	312-771	NOISE SUPPRESSOR	1	
38	312-789	INTERNAL WIRE (225)	1	
39	312-772	CONNECTOR	1	
40	312-788	CORD ARMOR	1	
41	312-788	CORD	1	
41	312-789	CORD	1	FOR GBR
42	312-791	RUBBER TUBE	1	
43	312-783	TAPPING SCREW D4X16	4	
44	312-770	INTERNAL WIRE (255)	1	
45	312-786	BOWDEN WIRE	1	
46	312-793	TAPPING SCREW D4X25	1	
47		NAME PLATE	1	
48	312-755	SWITCH LEVER	1	
49	312-782	TAPPING SCREW D4X20	7	
50	312-744	HEDGE TRIMMER BLADE (B)	1	

*: ALTERNATIVE PARTS

