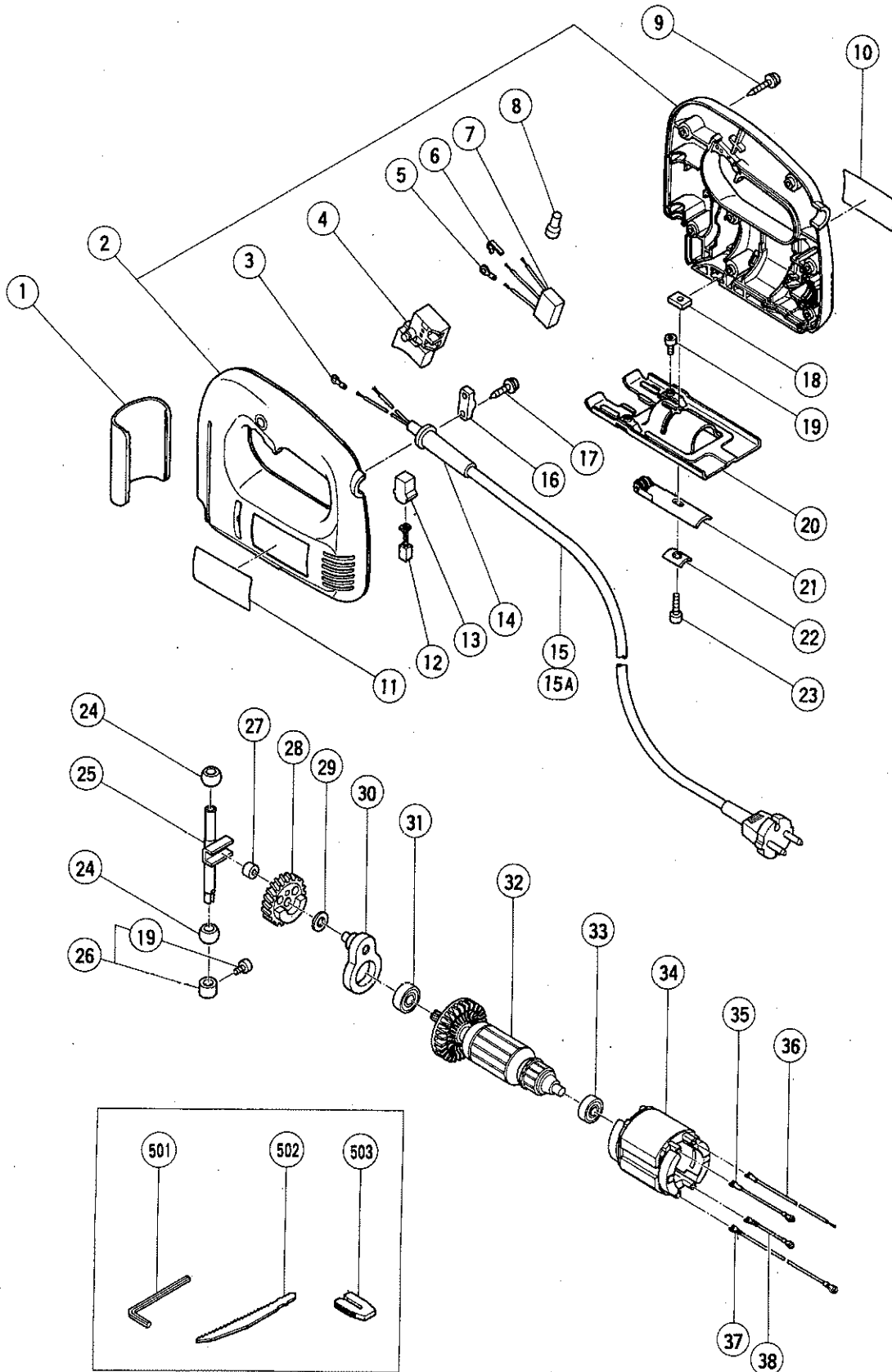


ELECTRIC TOOL PARTS LIST

■ JIG SAW
Model FCJ 55

1994 · 3 · 3
(E2)



PARTS

FCJ 55

ITEM NO.	CODE NO.	DESCRIPTION	NO. USED	REMARKS
1	305-804	CHIP COVER	1	
2	305-820	HOUSING (A).(B) SET	1	
*	3	960-356	TERMINAL (A) M3.5 (10 PCS.)	1 FOR CORD
*	4	305-817	SWITCH (D) (1P SCREW TYPE) W/LOCK	1
*	4	305-819	SWITCH (E) (1P SCREW TYPE) W/LOCK	1 FOR NGU,NZL,AUS,GBR,SAF,ITA,FRG,HOL,DEN, KOR (220V),CHN,NOR,FIN
*	5	960-356	TERMINAL (A) M3.5 (10 PCS.)	1 FOR NOISE SUPPRESSOR
*	6	302-488	EARTH TERMINAL	1 FOR NOISE SUPPRESSOR
*	7	994-273	NOISE SUPPRESSOR	1
	8	959-140	CONNECTOR 50091 (10 PCS.)	1
	9	302-086	TAPPING SCREW (W/FLANGE) D4X20 (BLACK)	7
	10		NAME PLATE	1
	11		HITACHI LABEL	1
	12	999-041	CARBON BRUSH (1 PAIR)	2
	13	930-483	BRUSH HOLDER	2
*	14	303-662	CORD ARMOR D8.8	1
*	14	980-193	CORD ARMOR D10.2	1
	14	307-217	CORD ARMOR D7.2	1
*	15	500-409Z	CORD	1 (CORD ARMOR D8.8) FOR INA,ITA,FRG,HOL, DEN,GRE,KOR (220V),CHN,NOR,FIN
*	15	500-226Z	CORD	1 (CORD ARMOR D8.8) FOR NGU,NZL,AUS
*	15	500-423Z	CORD	1 (CORD ARMOR D8.8) FOR SIN,KUW
*	15	500-231Z	CORD	1 (CORD ARMOR D8.8) FOR SAF,GBR (110V)
*	15	303-667	CORD	1 (W/CORD ARMOR) FOR THA
*	15	500-245Z	CORD	1 (CORD ARMOR D10.2) FOR SYR
*	15A	500-436Z	CORD	1 (CORD ARMOR D7.2) FOR GBR (240V)
*	15A	930-051	CORD	1 (CORD ARMOR D10.2) FOR KOR (110V),TPE
*	16	960-266	CORD CLIP	1
*	17	305-812	TAPPING SCREW (W/FLANGE) D4X16	2
	18	962-991	PLATE NUT	1
	19	949-811	HEX. SOCKET HD. BOLT M4X8 (10 PCS.)	2
	20	962-988	BASE	1
	21	306-199	GUIDE ROLLER	1
	22	962-990	BASE LOCKER	1
	23	949-754	HEX. SOCKET HD. BOLT M4X16 (10 PCS.)	1
	24	987-101	METAL	2
	25	305-803	PLUNGER	1
	26	305-811	SET RING ASS'Y	1 INCLUD.19
	27	962-982	CONNECTING PIECE	1
	28	987-102	GEAR	1
	29	991-733	WASHER (C)	1
	30	305-802	HOLDER	1
	31	608-VVM	BALL BEARING 608VVMC2EPS2L	1
*	32	987-120C	ARMATURE 110V - 127V	1
*	32	987-120E	ARMATURE 220V - 230V	1
*	32	987-120F	ARMATURE 230V - 240V	1 FOR AUS,GBR,KUW,NGU
	33	626-VVM	BALL BEARING 626VVMC2ERPS2S	1
*	34	340-228C	STATOR 110V - 115V	1
*	34	340-228E	STATOR 220V	1
*	34	340-228F	STATOR 230V - 240V	1
	35	305-808	INTERNAL WIRE (A)	1

*: ALTERNATIVE PARTS

