

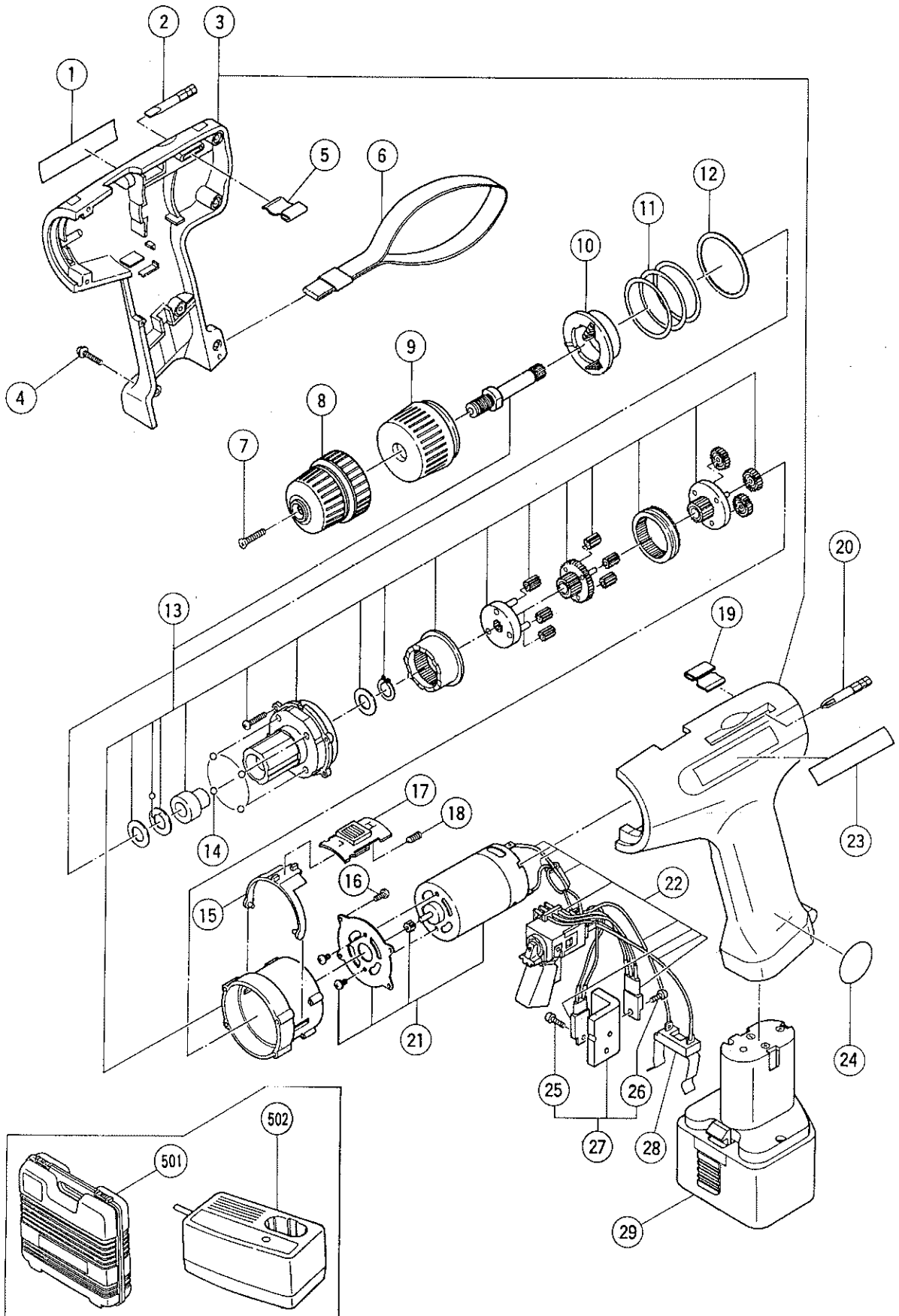
# HITACHI

LIST NO. E893

## ELECTRIC TOOL PARTS LIST

■ CORDLESS DRIVER DRILL  
Model FDS 10DVA

1995 • 6 • 30  
(E1)



PARTS

ITEM NO.	CODE NO.	DESCRIPTION	NO. USED	REMARKS
1		NAME PLATE	1	
2	308-511	- DRIVER BIT 4MMX50L	1	
3	310-794	HOUSING (A).(B) SET	1	
4	309-614	TAPPING SCREW (W/FLANGE) D3X14	7	
5	309-611	BIT HOLDER (B)	1	
6	309-617	STRAP	1	
7	980-836	FLAT HD. SCREW (LEFT HAND) M5X20	1	
8	<del>303-815</del>	DRILL CHUCK 10TLRA - N (W/O CHUCK HANDLE)	1	301553
9	309-599	CAP	1	
10	309-600	SPRING HOLDER	1	
11	309-601	SPRING	1	
12	309-602	THRUST PLATE	1	
13	309-604	SPINDLE AND GEAR SET	1	
14	309-603	STEEL BALL	4	
15	309-607	SHIFT ARM	1	
16	309-606	TAPPING SCREW D3X8	4	
17	309-608	SHIFT KNOB	1	
18	309-609	SHIFT SPRING	1	
19	309-612	BIT HOLDER (A)	1	
20	308-510	+DRIVER BIT NO.2X50L	1	
21	310-793	MORTOR	1	
22	310-155	SWITCH (1P SOLDER TYPE)	1	
22	310-795	SWITCH (1P SOLDER TYPE)	1	FOR EUROPE
23		DECORATION NAME PLATE	1	
24		MARK PLATE	1	
25		FT SCREW M3X10	1	
26		FT SCREW M3.5X8	1	
27	310-156	FIN ASS'Y 310155	1	INCLUD.25,26
28	310-157	TERMINAL	1	
* 29	310-874	BATTERY FEB 9 (W/ENGLISH N.P.)	1	
* 29	310-767	BATTERY FEB 9 (W/ENGLISH N.P.)	1	FOR EUROPE
* 29	310-766	BATTERY FEB 9 (W/ENGLISH N.P.)	1	FOR USA

STANDARD ACCESSORIES

ITEM NO.	CODE NO.	DESCRIPTION	NO. USED	REMARKS
501	309-928	CASE	1	
502		CHARGER (MODEL UC 9SC)	1	

\*: ALTERNATIVE PARTS