

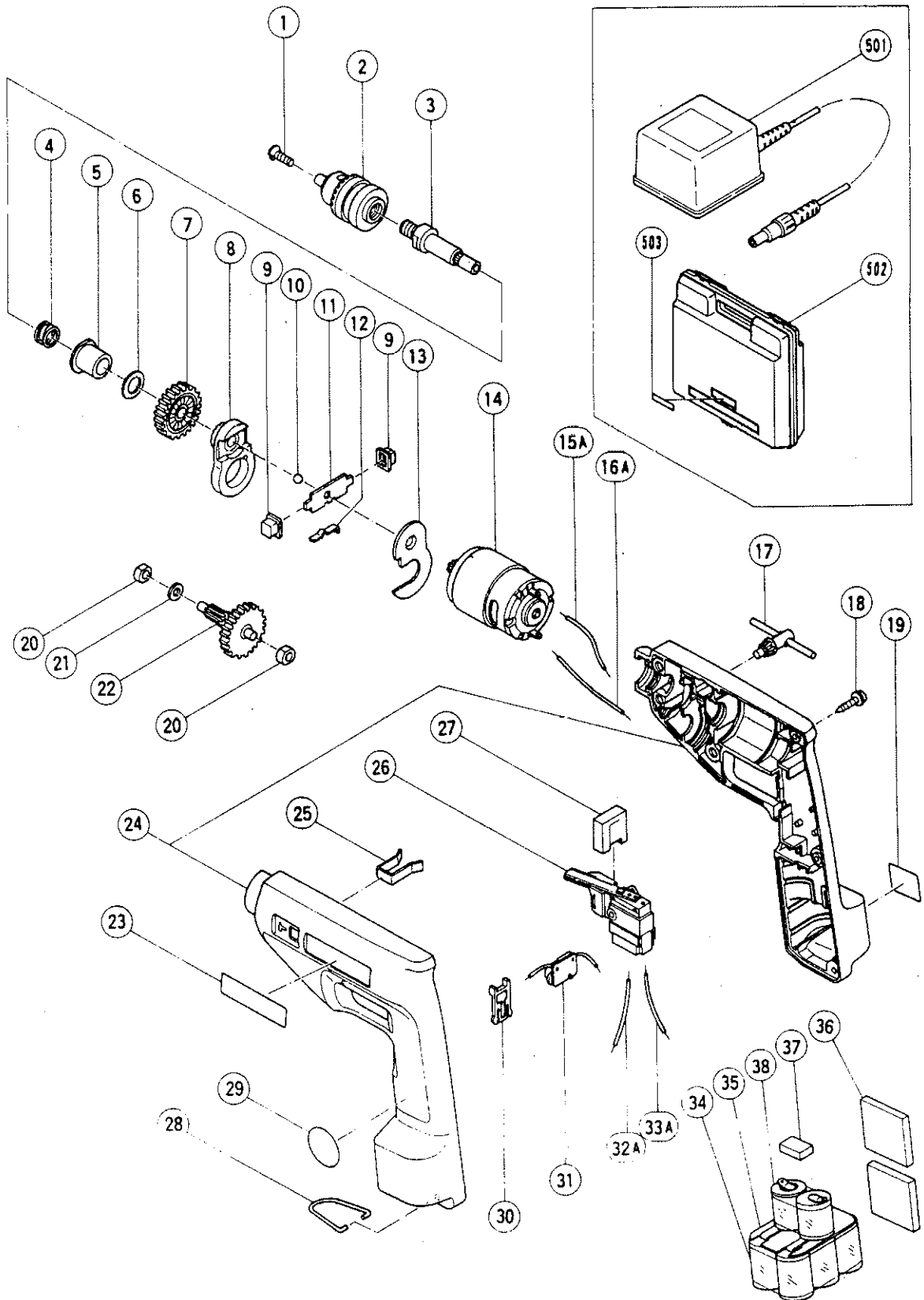
ELECTRIC TOOL PARTS LIST

■ CORDLESS IMPACT DRILL

1989-10-30

Model FDV 10DA

FDV 10DA(E2)



PARTS

FDV 10DA

ITEM NO.	CODE NO.	DESCRIPTION	NO. USED	REMARKS
1	992-077	FLAT HD. SCREW (LEFT HAND) MSX17	11	
2	950-292	DRILL CHUCK 10TLRA	1	INCLUD.17
3	997-748	SPINDLE	1	
4	987-071	SPRING	1	
5	987-072	METAL	1	
6	981-124	WASHER	1	
7	997-747	FINAL GEAR	1	
8	987-074	HOLDER	1	
9	997-748	CHANGE KNOB	2	
10	959-149	STEEL BALL D4.76 (10 PCS.)	1	
11	997-749	CHANGE PLATE	1	
12	983-226	SPRING (A)	1	
13	987-075	PLATE	1	
14	997-740	MOTOR	1	
15A	980-845	INTERNAL WIRE (B) 90L (RED)	1	
16A	980-846	INTERNAL WIRE (B) 40L (BLACK)	1	
17	980-057	CHUCK WRENCH 10TL2	1	
18	930-446	TAPPING SCREW (W/WASHER) D4X16	6	
19		CAUTION PLATE	1	
20	997-752	METAL	2	
21	949-425	WASHER M6 (10 PCS.)	1	
22	997-745	SECOND PINION	1	
23		NAME PLATE	1	
24	997-751	HOUSING	1	
25	994-671	KEY HOLDER	1	
26	995-426	SWITCH (2P PLUG IN TYPE) W/O LOCK	1	
27	980-834	SEAL	1	
28	980-838	HOOK	1	
29	994-666	MARK PLATE	1	
30	980-833	SWITCH LOCK	1	
31	997-773	CHARGING CONNECTOR	1	
32A	997-774	INTERNAL WIRE (B) 85L (BLUE)	1	
33A	994-650	INTERNAL WIRE (B) 45L (BROWN)	1	
34	997-772	BATTERY	1	
35	997-744	PLATE	1	
36	997-750	CUSHION	2	
37	997-771	CUSHION	1	
38	994-672	FIBER WASHER	1	

STANDARD ACCESSORIES

FDV 10DA

ITEM NO.	CODE NO.	DESCRIPTION	NO. USED	REMARKS
501		CHARGER (MODEL UC 9SB)	1	
502		CASE	1	
503		LABEL	1	

OPTIONAL ACCESSORIES

ITEM NO.	CODE NO.	DESCRIPTION	NO. USED	REMARKS
601	931-851	DRILL BIT (B) D6.5X100	1	
602	931-852	DRILL BIT (B) D8.0X100	1	
603	931-853	DRILL BIT (B) D9.5X120	1	
604	931-854	DRILL BIT (B) D10X120	1	