

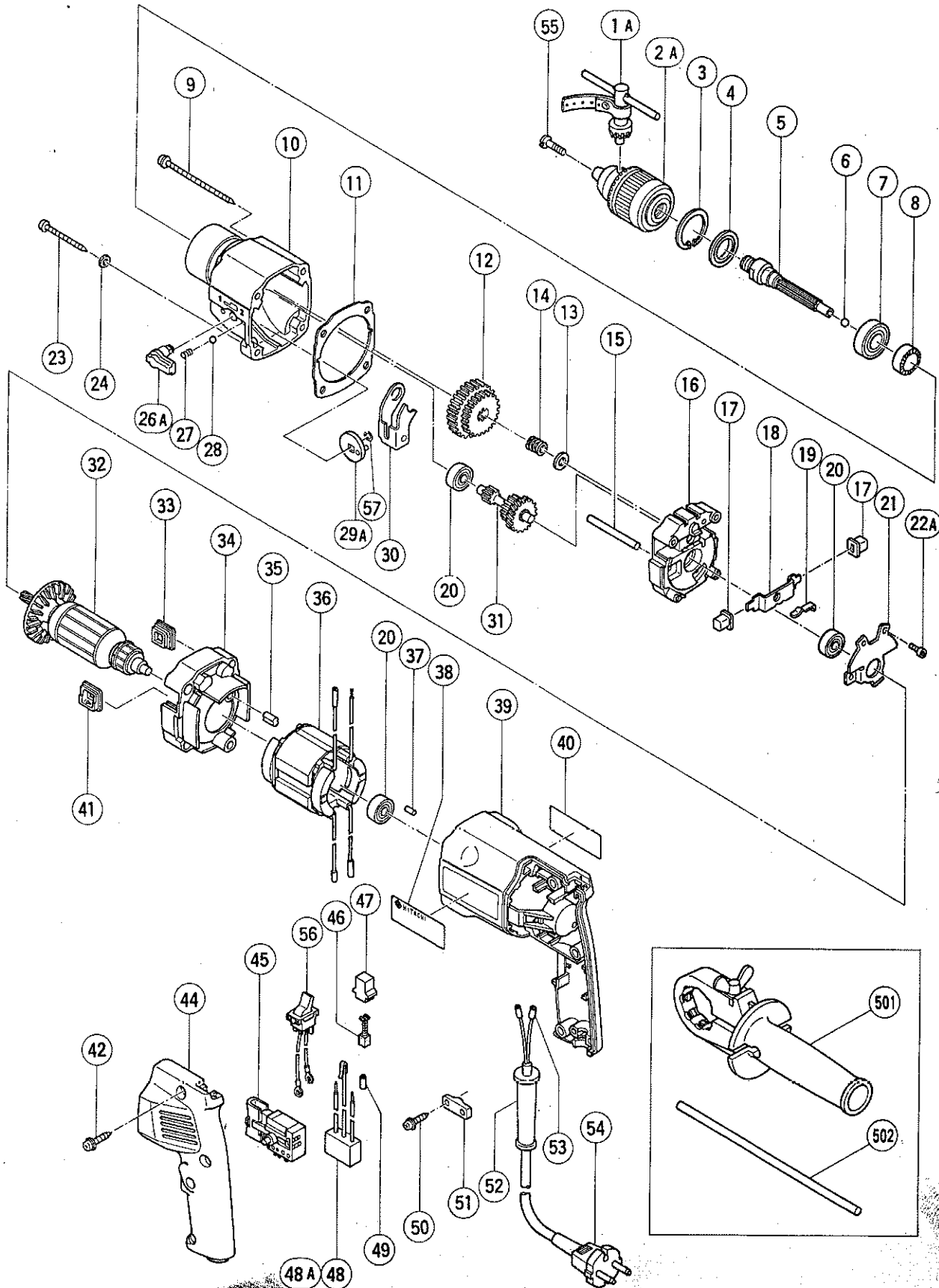
ELECTRIC TOOL PARTS LIST

■ IMPACT DRILL

1988-3-20

Model FDV20VA

FDV20VA(E2)



PARTS

FDV20VA(E2)

Item No.	Code No.	Part Name	Q'ty	Remarks
1A	879355	Chuck Wrench 10G	1	
2A	879355 ³	Drill Chuck 13VLA ^R	1	includ. 1A
3	948001	C-Type Retaining Ring	1	for I.D 32 Hole
4	971654	Dust Seal	1	
5	994740	Spindle	1	
6	959149	Steel Ball D4.76	1	(10 pcs.)
7	971673	Ball Bearing (6002DDCM)	1	
8	994450	Ratchet (B)	1	
9	981539Z	Tapping Screw D5 x 85	2	W/Washer
10	991977	Gear Cover	1	
11	992000	Packing	1	
12	994742	Gear	1	
13	971657	Washer	1	
14	971656	Spring	1	
15	984104	Pin D5	1	
16	991985	Inner Cover	1	
17	991976	Changing Knob	2	
18	991982	Changing Plate	1	
19	963226	Spring (A)	1	
20	939291	Ball Bearing (608VVC2)	3	
21	991981	Bearing Holder	1	
22A	993126	Machine Screw M5 x 12	3	(Seal Lock Screw) W/Spring Lock Washer
23	955912	Tapping Screw D5 x 45	2	
26A	994750	Shifting Lever	1	
27	981328	Spring (H)	1	
28	959155	Steel Ball D3.969	1	(10 pcs.)
29A	994751	Shifting Plate	1	
30	991978	Shifting Arm	1	
31	994741	Second Pinion	1	
32	—	Armature	1	See alternative parts
33	991974	Piece (B)	1	
34	991975	Fan Guide	1	
35	994343	Rubber Bushing	2	
36	—	Stator	1	See alternative parts
37	946362	Bearing Lock	1	
38	994820	HITACHI Label	1	
39	994821	Housing	1	Color: Moss Green
40	—	Name Plate	1	
41	991973	Piece (A)	1	
42	982095	Tapping Screw D4 x 20	3	W/Washer
44	994823	Handle Cover	1	Color: Moss Green
45	994744	Switch	1	
46	999041	Carbon Brush	2	(2 pcs.)
47	930483	Brush Holder	2	
48	—	Noise Suppressor	1	See alternative parts
49	—	Tube (D)	1	See alternative parts
50	984750	Tapping Screw D4 x 16	2	W/Flange
51	960266	Cord Clip	1	
52	—	Cord Armor	1	See alternative parts
53	—	Tube (D)	2	See alternative parts
54	—	Cord	1	See alternative parts
55	981122	Special Screw	1	
56	994825	Reversing Switch	1	

PARTS

FDV20VA(E2)

Item No.	Code No.	Part Name	Q'ty	Remarks
57	673489	E-Type Retaining Ring	1	for D5 Shaft

OPTIONAL ACCESSORIES

Item No.	Code No.	Part Name	Q'ty	Remarks
32	360036E	Armature	220V	1
	360036F	Armature	230V ~ 240V	1
	360036G			
36	340050E	Stator	220V	1
	340050F	Stator	230V ~ 240V	1
48	994841	Noise Suppressor		1
	987130	Noise Suppressor (B)		1 for Switzerland
48A	994842	Noise Suppressor		1 for Italy
49	981373	Tube (D)		1 for Noise Suppressor
52	930487	Cord Armor	D8.2	1
	930026	Cord Armor	D10.2	1
53	981373	Tube (D)		2 for Cord
54	500212Z	Cord	220V ~ 240V	1 (Cord Armor D8.2)
	500409Z	Cord	220V	1 for Indonesia, Italy, F.R. Germany, France, Belgium, Holland, Denmark, Finland, Austria, Portugal (Cord Armor D8.2)
	500245Z	Cord	220V	1 for Syria (Cord Armor D10.2)
	963245Z	Cord	220V	1 for Sweden, Norway (Cord Armor D8.2)
	500395Z	Cord	220V	1 for Switzerland (Cord Armor D8.2)
	500223Z	Cord	230V ~ 240V	1 for Singapore, Kuwait (Cord Armor D10.2)
	500226Z	Cord	230V ~ 240V	1 for Papua New Guinea, N.Z. (Cord Armor D8.2)
	500231Z	Cord	230V ~ 240V	1 for U.K., S. Africa (Cord Armor D8.2)
	500405Z	Cord	240V	1 for Australia (Cord Armor D10.2)

