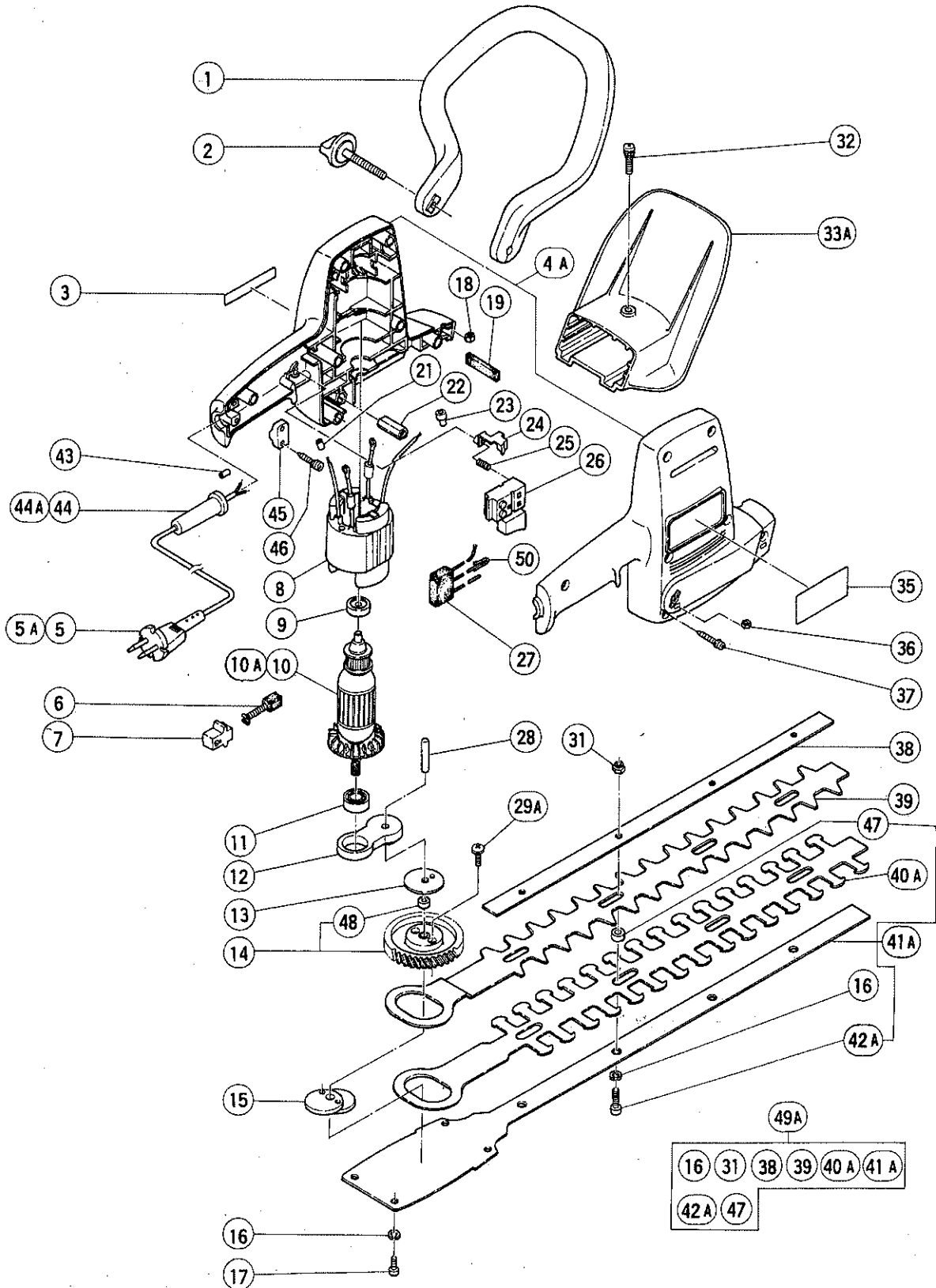


# ELECTRIC TOOL PARTS LIST

**■ HEDGE TRIMMER**  
**Model FH 45**

1994 · 4 · 4  
 (E4)



## PARTS

FH 45

ITEM NO.	CODE NO.	DESCRIPTION	NO. USED	REMARKS
1	990-542	SUB HANDLE	1	
2	990-543	KNOB BOLT	2	
3		CAUTION PLATE	1	
4A	994-876	HOUSING (A),(B) SET (MOSS GREEN)	1	
* 5	930-051	CORD	1	(CORD ARMOR D10.2)
* 5	500-223Z	CORD	1	(CORD ARMOR D10.2) FOR SIN,KUW
* 5	500-226Z	CORD	1	(CORD ARMOR D8.2) FOR NZL,NGU,AUS
* 5	500-231Z	CORD	1	(CORD ARMOR D8.2) FOR SAF
* 5	500-234Z	CORD	1	(CORD ARMOR D8.2) FOR ITA,FRG,FRA,HOL, DEN,FIN,SWE,AUT,NOR
* 5	500-245Z	CORD	1	(CORD ARMOR D10.2) FOR SYR
* 5	500-248Z	CORD	1	(CORD ARMOR D10.2) FOR SUI
* 5	500-409Z	CORD	1	(CORD ARMOR D8.2) FOR INA,POR
* 5A	307-781	CORD	1	(CORD ARMOR D7.2) FOR GBR
6	999-041	CARBON BRUSH (1 PAIR)	2	
7	930-483	BRUSH HOLDER	2	
* 8	990-551C	STATOR 110V - 127V	1	
* 8	990-551E	STATOR 220V	1	
* 8	990-551F	STATOR 230V - 240V	1	
* 8	990-551G	STATOR 220V - 230V	1	FOR ITA,FRG,FRA,HOL,DEN,FIN,SWE,AUT,NOR, SUI
* 8	990-551H	STATOR 230V - 240V	1	FOR GBR,NZL
9	626-VVM	BALL BEARING 626VVMC2ERPS2S	1	
* 10	987-120C	ARMATURE 110V - 127V	1	
* 10A	987-120E	ARMATURE 220V - 230V	1	
* 10A	987-120F	ARMATURE 230V - 240V	1	FOR SRI,KUW,NZL,GBR,SAF
11	608-VVM	BALL BEARING 608VVMC2EPS2L	1	
12	990-536	HOLDER	1	
13	954-937	WASHER (B)	1	
14	990-537	GEAR ASS'Y	1	INCLUD.48
15	990-532	CRANK CAM	1	
16	949-454	SPRING WASHER M5 (10 PCS.)	8	
17	949-236	MACHINE SCREW M5X10 (10 PCS.)	4	
18	949-566	LOCK NUT M5 (10 PCS.)	1	
19	954-366	DUST FELT	1	
* 21	981-373	TUBE (D)	2	
22	990-539	SPECIAL NUT M6	1	
24	990-544	STOPPER PIECE	1	
25	990-545	SPRING (C)	1	
* 26	990-549	SWITCH (1P PILLAR TYPE) W/O LOCK	1	
* 26	990-744	SWITCH (2P PILLAR TYPE) W/O LOCK	1	FOR NZL,AUS,GBR,SAF,ITA,FRG,FRA,HOL,DEN, FIN,SWE,AUT,NOR,SUI,INA
* 27	994-273	NOISE SUPPRESSOR	1	
28	990-538	PIN	1	
29A	990-566	SPECIAL SCREW M4X12	2	983-162
31	945-255	U - NUT M5	4	
32	990-541	MACHINE SCREW (W/WASHERS) M5X16	1	
33A	990-540	PROTECTOR	1	
35		NAME PLATE	1	
36	949-555	NUT M5 (10 PCS.)	4	
37	982-095	TAPPING SCREW (W/WASHER) D4X20	7	

\*: ALTERNATIVE PARTS

