

ELECTRIC TOOL PARTS LIST

■PLANER

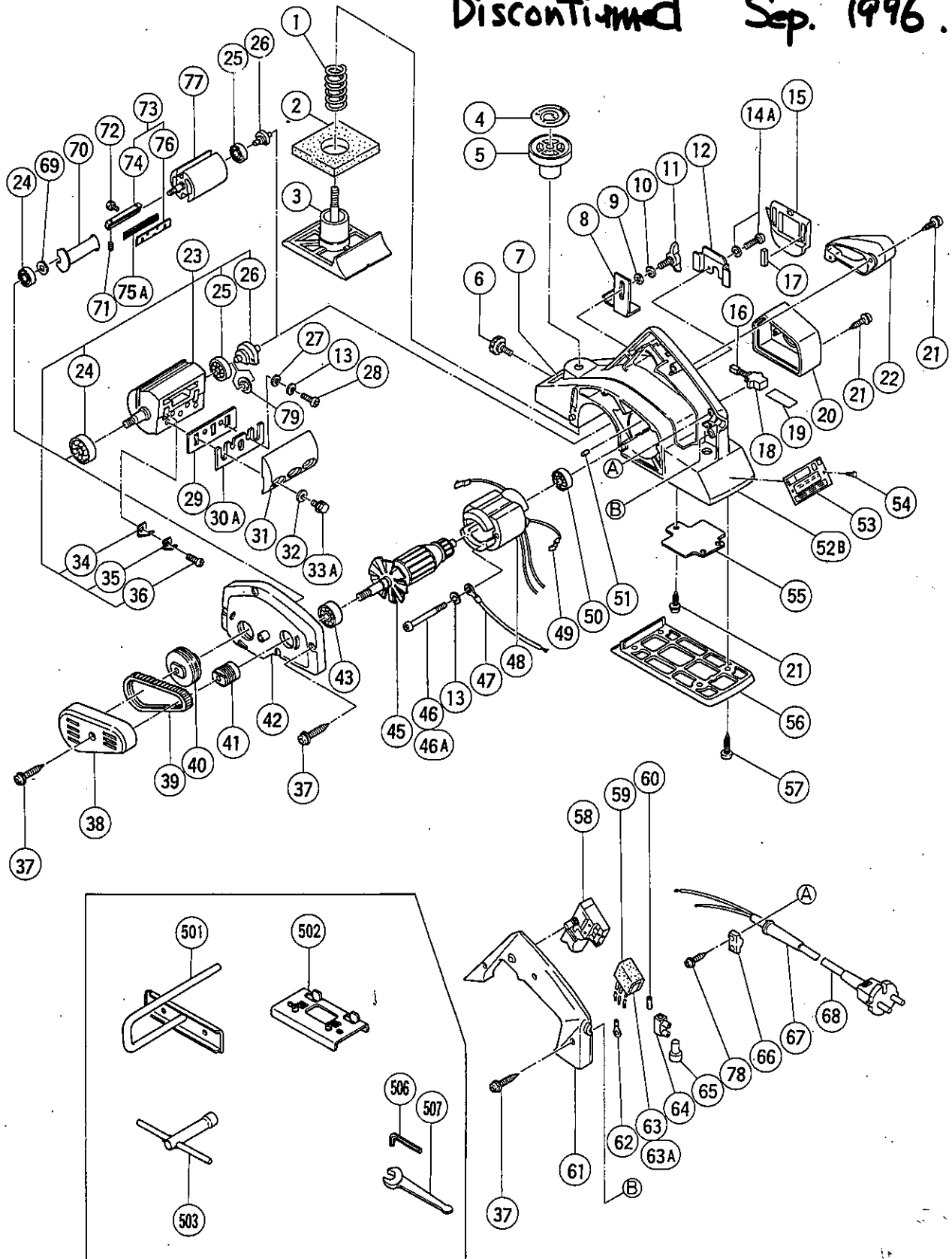
1990·1·10

Model FP 20

ORIGINAL

FP 20(E4)

Discontinued Sep. 1996.



PARTS

FP 20

ITEM NO.	CODE NO.	DESCRIPTION	NO. USED	REMARKS	
1	958-709	SPRING	1		
2	958-708	RUBBER PACKING	1		
3	958-831Z	FRONT BASE	1		
4	958-832Z	SCALE	1		
5	942-328	KNOB	1		
6	940-650	STOPPER SCREW M5X14	1		
7	957-561	HITACHI LABEL	1		
8	958-840Z	DEPTH GUIDE	1		
9	949-424	WASHER M5 (10 PCS.)	1		
10	949-454	SPRING WASHER M5 (10 PCS.)	1		
11	949-397	WING BOLT M5X10 (10 PCS.)	1		
12	958-838Z	COVER	1		
*	13	949-453	SPRING WASHER M4 (10 PCS.)	8 FOR CARTRIDGE TYPE	
*	13	949-453	SPRING WASHER M4 (10 PCS.)	4 FOR ADJUST SCREW TYPE	
14A	951-039	MACHINE SCREW (W/SP.WASHER) M4X12	2		
15	958-837Z	BLADE COVER	1		
16	999-041	CARBON BRUSH (1 PAIR)	2		
17	958-839Z	MAGNET	2		
18	955-203	BRUSH HOLDER	2		
19		CAUTION PLATE	1		
20	958-835Z	TAIL COVER	1		
21	930-446	TAPPING SCREW (W/WASHER) D4X16	5		
22	958-836Z	CHIP GUIDE	1		
*	23	958-849Z	CUTTER BLOCK ASS'Y	1 INCLUD.24-26,34-36,79 FOR CARTRIDGE TYPE	
*	23	958-858Z	CUTTER BLOCK ASS'Y	1 INCLUD.24-26,34-36,79 FOR DEN	
24	620-1VV	BALL BEARING 6201VVCMP2S	1		
25	629-VVM	BALL BEARING 629VVMC2EPS2L	1		
26	958-824Z	SHAFT (B)	1		
*	27	949-423	WASHER M4 (10 PCS.)	4 FOR CARTRIDGE TYPE	
*	28	949-215	MACHINE SCREW M4X8 (10 PCS.)	4 FOR CARTRIDGE TYPE	
*	29	958-733Z	BACK METAL	2 FOR CARTRIDGE TYPE	
*	30A	879-416	PLANER BLADE (1 PAIR)	2 FOR CARTRIDGE TYPE	
*	31	958-850Z	BLADE HOLDER (1 PAIR)	2 FOR CARTRIDGE TYPE	
*	32	940-391	WASHER	6 TILL 2.1987 FOR CARTRIDGE TYPE	
*	33A	990-669	BOLT (W/WASHER) M6X18	6 FOR CARTRIDGE TYPE	
*	34	958-732Z	GUARD PLATE (A)	4 FOR CARTRIDGE TYPE	
*	35	958-731Z	HOLDER SPRING (B)	4 FOR CARTRIDGE TYPE	
*	36	949-214	MACHINE SCREW M4X6 (10 PCS.)	4 FOR CARTRIDGE TYPE	
37	956-636	TAPPING SCREW (W/WASHER) D4X25	8		
38	963-533	BELT COVER (MOSS GREEN)	1		
39	946-463	BELT	1		
40	958-829Z	PULLEY (B)	1		
41	958-828	PULLEY (A)	1		
42	958-827Z	END BRACKET	1		
43	620-0VV	BALL BEARING 6200VVCMP2S	1		
*	45	963-521E	ARMATURE 220V-230V	1	
*	45	963-521F	ARMATURE 240V	1	
*	45	963-521G	ARMATURE 220V	1 FOR FRA,DEN,FIN,SWE	
46	936-502	MACHINE SCREW M4X60	2	TILL 8.1987	
46A	960-108	HEX. HD. TAPPING SCREW D4X60	2	SINCE 9.1987	
*	47	958-971	INTERNAL WIRE	1 FOR FIN	
*	48	963-520E	STATOR ASS'Y 220V	1 INCLUD.49	

PARTS

ITEM NO.	CODE NO.	DESCRIPTION	NO. USED	REMARKS
* 48	963-520F	STATOR ASS'Y 240V	1	INCLUD.49
* 48	963-520G	STATOR ASS'Y 220V-230V	1	INCLUD.49 FOR FRG,HOL
* 48	963-520H	STATOR ASS'Y 230V	1	INCLUD.49 FOR NZL
* 48	963-520J	STATOR ASS'Y 220V	1	INCLUD.49 FOR FRA,DEN,FIN
* 49	941-615	BRUSH TERMINAL	2	
* 49	958-857Z	BRUSH TERMINAL	2	FOR FRA,DEN,FIN
50	608-VVM	BALL BEARING 608VVMC2EPS2L	1	
51	963-227	BEARING LOCK	1	
* 52B	963-530	HOUSING ASS'Y (MOSS GREEN)	1	INCLUD.46A
53		NAME PLATE	1	
54	949-510	RIVET D2.5X4.8 (10 PCS.)	2	
55	958-844Z	PLATE	1	
56	958-833Z	REAR BASE	1	
57	954-004	TAPPING SCREW D4X16	4	
* 58	971-667Z	SWITCH (2P PILLAR TYPE) W/LOCK	1	
* 58	958-400Z	SWITCH (2P PILLAR TYPE) W/O LOCK	1	FOR GBR,FIN
* 59	963-243	SUPPORT	1	FOR NOISE SUPPRESURE
60	981-373	TUBE (D)	2	
* 61	963-531	HANDLE COVER (MOSS GREEN)	1	
* 61	963-532	HANDLE COVER (MOSS GREEN)	1	FOR GBR,FIN
* 62	980-063	TERMINAL	1	FOR NOISE SUPPRESURE
* 63	500-262Z	NOISE SUPPRESSOR	1	FOR FIN
* 63	971-828	NOISE SUPPRESSOR	1	FOR DEN
* 63A	991-313	NOISE SUPPRESSOR	1	FOR NZL,GBR,FRA,FRG,HOL,SWE
* 64	938-307Z	PILLAR TERMINAL	1	FOR FIN
65	959-140	CONNECTOR 50091 (10 PCS.)	1	
66	937-631	CORD CLIP	1	
* 67	930-026	CORD ARMOR D10.2	1	
* 67	930-487	CORD ARMOR D8.2	1	
* 67	980-193	CORD ARMOR D10.2	1	FOR FIN,SWE
* 68	500-234Z	CORD	1	(CORD ARMOR D8.2)
* 68	500-231Z	CORD	1	(CORD ARMOR D8.2)FOR GBR
* 68	500-247Z	CORD	1	(CORD ARMOR D10.2)FOR FIN,SWE
* 68	500-226Z	CORD	1	(CORD ARMOR D8.2)FOR NZL
* 69	944-954	BEARING WASHER	1	FOR ADJUST SCREW TYPE
* 70	990-665	INSERT PIECE	2	FOR ADJUST SCREW TYPE
* 71	938-477	HEX. SOCKET SET SCREW M5X8	4	FOR ADJUST SCREW TYPE
* 72	963-472Z	BOLT M5	6	FOR ADJUST SCREW TYPE
* 73	990-667	BLADE HOLDER ASS'Y (2 SET)	2	INCLUD.74,76 FOR ADJUST SCREW TYPE
* 74	990-654	BLADE HOLDER (A) (1 PAIR)	2	FOR ADJUST SCREW TYPE
* 75A	879-418	PLANER BLADE (1 PAIR)	2	FOR ADJUST SCREW TYPE
* 76	990-655	BLADE HOLDER (B) (1 PAIR)	2	FOR ADJUST SCREW TYPE
* 77	990-653	CUTTER BLOCK (A) ASS'Y	1	INCLUD.24-26,69,70,79 FOR ADJUST SCREW TYPE
* 78	984-750	TAPPING SCREW (W/FLANGE) D4X16	2	
79	958-915	WASHER (A)	1	

STANDARD ACCESSORIES

ITEM NO.	CODE NO.	DESCRIPTION	NO. USED	REMARKS
* 501	958-842Z	GUIDE	1	
* 501	958-855Z	GUIDE (A)	1	FOR GBR
502	958-736	SET GAUGE	1	FOR CARTRIDGE TYPE
503	940-543	BOX WRENCH 10MM	1	FOR CARTRIDGE TYPE
506	990-666	HEX. BAR WRENCH 2.5MM	1	FOR ADJUST SCREW TYPE
507	956-174	WRENCH 8MM	1	FOR ADJUST SCREW TYPE

OPTIONAL ACCESSORIES

ITEM NO.	CODE NO.	DESCRIPTION	NO. USED	REMARKS
601	958-972Z	PLANER BLADES (TCT) 82MM (1 PAIR)	2	
602	958-909Z	DUST BAG	1	
603	940-653	BLADE SHARPENING ASS'Y	1	INCLUD.604 FOR CARTRIDGE TYPE
604	940-654	MACHINE SCREW (W/WASHER) M6X12	4	FOR CARTRIDGE TYPE

* : ALTERNATIVE PARTS