

Hitachi Power Tools

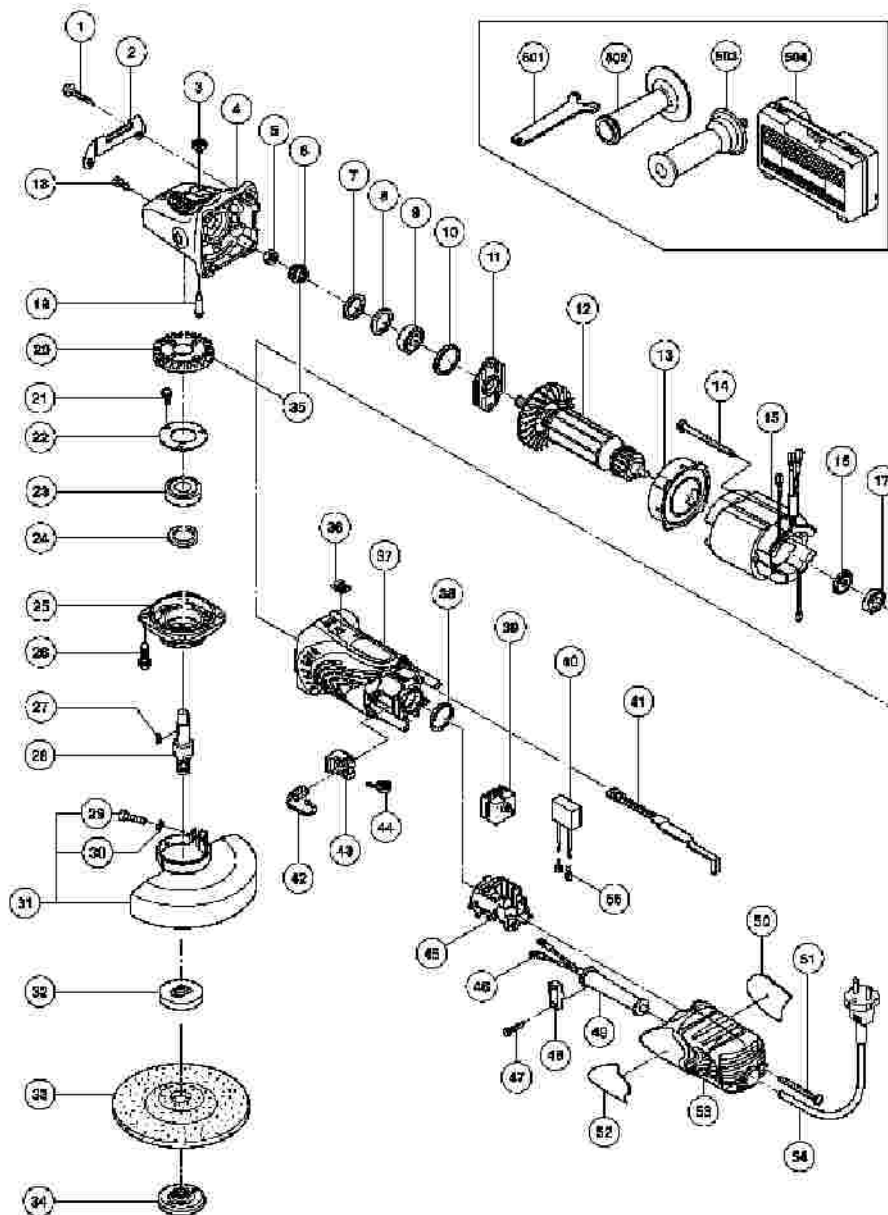
LIST NO. E272

ELECTRIC TOOL PARTS LIST

■ DISC GRINDER
Model G 12SA3

2005 · 12 · 23

(E1)



G12SA3

Pos. Nr.	Art. Nr.	Beschreibung	Stueck	Kommentar	Beschreibung
1	320-523		4		TAPPING SCREW D5X25 (BLACK)
2	325-053		1		GUARD PLATE
3	301-944	ARRETIERUNGSSTIFT G12S1/G12SA2/	1		PUSHING BUTTON
4	321-737		1	"INCLUD.3,19"	GEAR COVER ASS'Y
5	949-558	MUTTER M8 (10ST)	1		NUT M8 (10 PCS.)
6	308-541	RITZEL G12SE/G12SA2/G13SE/G13YC/	1		PINION
7	308-543	DICHTUNGSRING (A) G12SE/G13SE u.a	1		SEAL RING (A)
8	980-866	UNTERLEGSCHNEIBE (C) G12SE/G12SA2/	1		WASHER (C)
9	629-T12	KUGELLAGER 629 T12DDC3	1		BALL BEARING 629T12DDC3PS2-L
10	957-754	GUMMIRING G12SA/G12SE/G12SA2	1		RUBBER RING
11	321-734		1		BEARING COVER
12	360-734U		1	"INCLUD.9,16,17"	ARMATURE ASS'Y 120V
12	360-734E		1		ARMATURE 230V-240V
13	321-732		1		FAN GUIDE
14	982-021	SECHSKANTSCHNEIDSCHRAUBE D4X70	2		HEX. HD. TAPPING SCREW D4X70
15	340-645D		1		STATOR 120V
15	340-645E		1		STATOR 230V
15	340-645F		1		STATOR 240V
16	315-877	STAUBDICHTUNG G12S2/G12SA2/G13SD/	1		DUST SEAL
17	608-VVM	KUGELLAGER 608 VVM	1		BALL BEARING 608VVC2PS2L
					SEAL LOCK

18	303-255	+KOPFSCHRAUBE M4X10 M.FEDERRING	2		SCREW (W/SP. WASHER) M4X10
19	301-943	STIFT G12S1/G12SA2/G13YB1/G13V/	1		LOCK PIN
20	321-736		1		GEAR
21	991-207	+KOPFSCHRAUBE M4X8 M.FEDERRING	3		SEAL LOCK SCREW (W/SP. WASHER) M4X8
22	936-680	LAGERDECKEL (B) G12SA/G13SE/u.a	1		BEARING COVER (B)
23	620-1DD	KUGELLAGER 6201 DD	1		BALL BEARING 6201DDCMPS2L
24	308-546	FILZDICHTUNG G12SE/G12SA2/G13SE/	1		FELT PACKING
25	308-545	GETRIEBEDECKEL G12SE/G12SA2/G13SE	1		PACKING GLAND
26	307-046	+KOPFSCHRAUBE M5X16 M.FEDERRING	4		SEAL LOCK SCREW (W/SP. WASHER) M5X16
27	944-109	KEIL 3X3X8 DH22VB/G12SA/G12SA2/	1		FEATHER KEY 3X3X8
28	994-301	SPINDEL (A) G12SA/G12SA2/G13SB/	1		SPINDLE (A)
28	994-302		1	"FOR USA,CAN"	SPINDLE (B)
29	949-241	+KOPFSCHRAUBE M5X20 (10ST)	1		MACHINE SCREW M5X20 (10 PCS.)
30	949-454	FEDERSCHEIBE M5 (10ST)	1		SPRING WASHER M5 (10 PCS.)
31	319-656		1	"INCLUD.29,30"	WHEEL GUARD ASS'Y
32	937-817Z	SPANNFLANSCH G12S1/SA- SG/G13SB-YC	1		WHEEL WASHER
32	937-928Z		1	"FOR USA,CAN"	WHEEL WASHER (A) FOR D16 HOLE
33	316-821		1		D. C. WHEELS 115MM A36Q (25 PCS.)
34	994-324	FLANSCHMUTTER G12S1/SA/G13V/	1		WHEEL NUT M14
34	937-923P		1	"FOR USA,CAN"	"WHEEL NUT 5/8"-11UNC"

35	321-735		1	"INCLUD.6,20"	GEAR AND PINION ASS'Y
36	314-428	SCHIEBEKNOPF G12SG/G13V/G13YD	1		SLIDE KNOB
37	325-050		1		HOUSING
38	321-733		1		RUBBER RING
39	319-319	DRUCKKNOPFSCHALTER G13SB2/G12SA2	1		PUSHING BUTTON SWITCH
40	930-039	KONDENSATOR C6U-C13U u.a.	1	"EXCEPT FOR USA,CAN"	NOISE SUPPRESSOR
41	325-051		1		SLIDE BAR
42	999-088	KOHLBÜRSTEN (PAAR)	2		CARBON BRUSH (1 PAIR)
43	317-810	KOHLHALTER G12S2/G13SD/G13V	2		BRUSH HOLDER
44	308-536	KOHLHALTERFEDER G12SE/G13V	2		SPRING
45	325-054		1		SWITCH HOLDER
46	980-063	KABELSCHUH C7U/CJ65V2/H70SA/G13V	2		TERMINAL
47	984-750	SCHNEIDSCHRAUBE D4X16 MIT FLANSCH	2		TAPPING SCREW (W/FLANGE) D4X16
48	937-631	KABELKLEMME DIV.TYPEN	1		CORD CLIP
49	953-327	KABELKNICKSCHUTZ D8.8 DIV.TYPEN	1		CORD ARMOR D8.8
50			1		NAME PLATE
51	301-815	SCHNEIDSCHRAUBE D4X45 M.FLANSCH	2		TAPPING SCREW (W/FLANGE) D4X45
52	325-058		1		HITACHI PLATE
53	325-052		1		TAIL COVER
54	500-234Z	ANSCHLUSSKABEL MIT STECKER	1	(CORD ARMOR D8.8)	CORD
54	500-423Z		1	(CORD ARMOR D8.8) FOR KUW	CORD
				"(CORD ARMOR	

54	500-240Z		1	D8.8) FOR USA,CAN"	CORD
54	500-435Z		1	(CORD ARMOR D8.8) FOR GBR	CORD
54	500-439Z		1	(CORD ARMOR D8.8) FOR NZL	CORD
55	319-320	STECKKONTAKT G13SB2/G12SA2	1	FOR NOISE SUPPRESSOR	FASTON TERMINAL
501	938-332Z	STIRNLOCHSCHLÜSSEL G12SA/G13V	1		WRENCH
502	994-322	SEITENGRIFFF G12SE/G13SB/G13SB2	1		SIDE HANDLE
503	325-496		1	FOR EUROPE	SIDE HANDLE (VIBRATION-ABSORBING)
504	325-515		1	FOR EUROPE	CASE
601	937-825Z	ELASTISCHER SCHLEIFTELLER	1		RUBBER PAD
601	938-317		1	"FOR USA,CAN"	RUBBER PAD
602	937-826Z	FLANSCHMUTTER G12GE/G12SG/G13V	1		WASHER NUT
602	938-318		1	"FOR USA,CAN"	WASHER NUT
603	314-095		1		SANDING DISCS 115MM C-P16 (10 PCS.)
604	314-096		1		SANDING DISCS 115MM C-P20 (10 PCS.)
605	314-097		1		SANDING DISCS 115MM C-P24 (10 PCS.)
606	314-098		1		SANDING DISCS 115MM C-P30 (10 PCS.)
607	314-099		1		SANDING DISCS 115MM C-P36 (10 PCS.)
608	314-100		1		SANDING DISCS 115MM C-P40 (10 PCS.)
609	314-101		1		SANDING DISCS 115MM C-P50 (10 PCS.)
610	314-		1		SANDING DISCS 115MM C-P60 (10

	102				PCS.)
611	314-103		1		SANDING DISCS 115MM C-P80 (10 PCS.)
612	314-104		1		SANDING DISCS 115MM C-P100 (10 PCS.)
613	314-105		1		SANDING DISCS 115MM C-P120 (10 PCS.)
614	994-312		1	"FOR USA,CAN"	WHEEL WASHER (C) FOR D20 HOLE
615	310-338	TURBO-FLANSCH G12S1/SA/SE/SG U.A.	1	"EXCEPT FOR USA,CAN"	SUPER WASHER