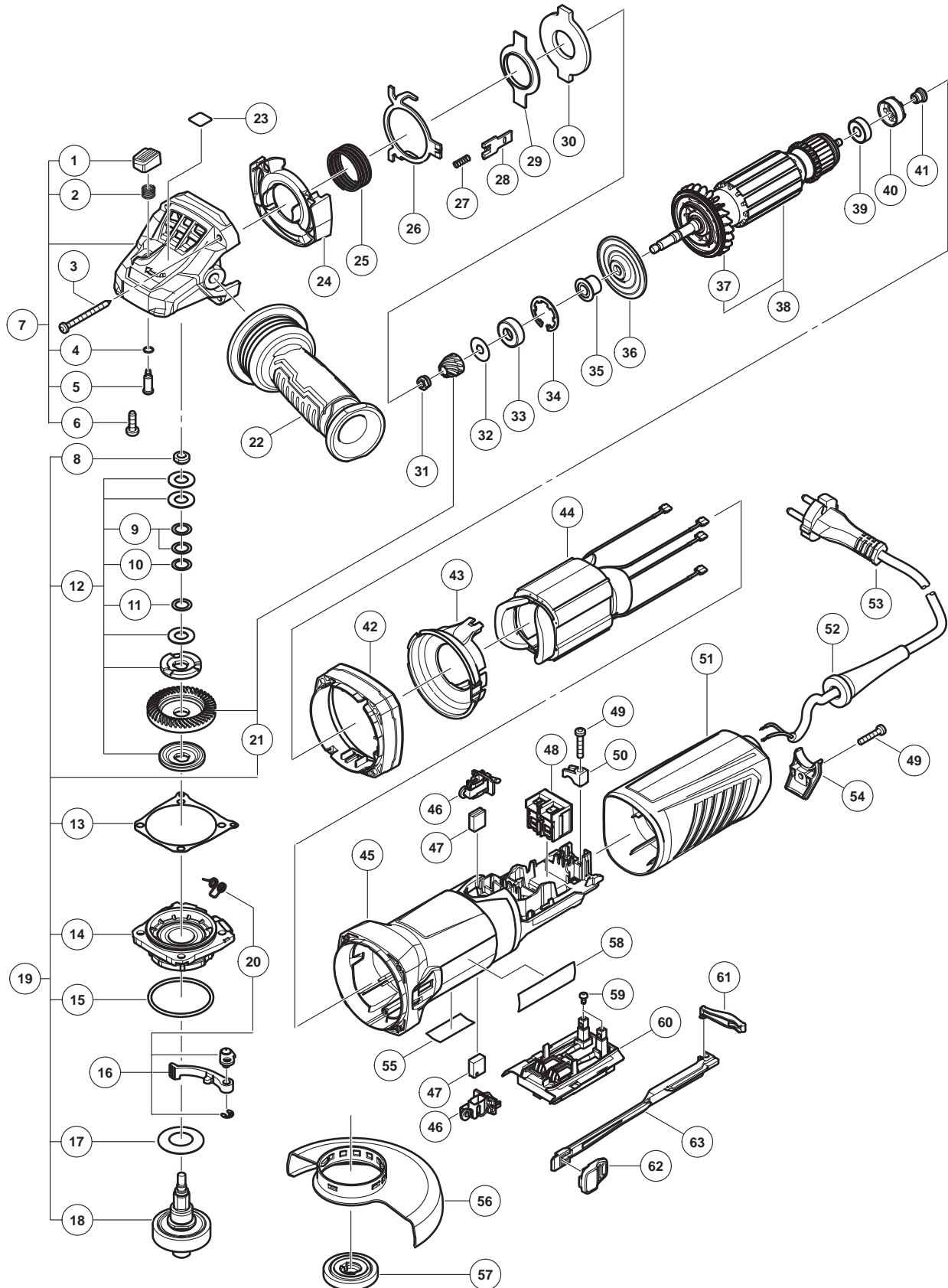


ELECTRIC TOOL PARTS LIST

DISC GRINDER Model G 13BY

2017. 9 . 7
(E1)



PARTS

G 13BY

ITEM NO.	CODE NO.	DESCRIPTION	NO. USED	REMARKS
1	372945	PUSHING BUTTON	1	
2	372944	SPRING (A)	1	
3	372920	TORX TAPPING SCREW D4	4	
4	372943	O-RING (A)	1	
5	372946	LOCK PIN	1	
6	372919	TORX SCREW M5	4	
7	372932	GEAR COVER ASS'Y	1	INCLUD.1,2,4-6
8	372928	NUT M7	1	
9	372924	WASHER 10.2 X 14.8 X 0.2	2	
10	372925	WASHER 10.2 X 14.8 X 0.1	1	
11	372926	WASHER 10.2 X 14.8 X 0.5	1	
12	372931	FRICITION WASHER ASS'Y	1	INCLUD.9-11
13	372918	GASKET	1	
14	372927	PACKING GLAND	1	
15	372959	O-RING (B)	1	
16	372941	LEVER SET	1	INCLUD.20
17	372949	WASHER	1	
18	372922	SPINDLE	1	
19	372933	GEAR AND SPINDLE SET	1	INCLUD.8,12-15,17,18,21
20	372916	SPRING CLIP	1	
21	372929	BEVEL GEAR. PINION SET	1	
22	336865	SIDE HANDLE	1	
23		BRAKE LABEL	1	
24	372901	BAFFLE	1	
25	372956	SPRING (C)	1	
26	372953	SHIFT LEVER	1	
27	372955	SPRING (B)	1	
28	372954	SHIFT ELEMENT	1	
29	372952	SUPPORT PLATE	1	
30	372950	BUTTING PLATE	1	
31	372909	NUT M6	1	
32	372908	WASHER 7.05 X 19.5 X 0.2	1	
33	372907	BALL BEARING 8 X 22 X 7	1	
34	372942	RETAINING RING	1	
35	372957	SPACER SLEEVE	1	
36	372951	BRAKE DISC	1	
37	372938	FAN	1	
38	372887	ARMATURE ASS'Y 230V-240V	1	INCLUD.37
39	372904	BALL BEARING 6 X 19 X 6	1	
40	372905	RUBBER BUSHING	1	
41	372947	MAGNET	1	
42	372958	BRAKE FLANGE	1	
43	372899	FAN GUIDE	1	
44	372890	STATOR ASS'Y 230V-240V	1	
45	372898	HOUSING	1	
46	372936	BRUSH HOLDER SET (1 PAIR)	2	
47	372939	CARBON BRUSH SET (1 PAIR)	2	
48	372892	SWITCH	1	
49	371270	TAPPING SCREW ST4.2 X 22	2	
50	371271	CORD CLIP	1	

PARTS

G 13BY

ITEM NO.	CODE NO.	DESCRIPTION	NO. USED	REMARKS
51	372911	TAIL COVER	1	
52	372894	CORD ARMOR	1	
* 53	372895	CORD	1	
* 53	372897	CORD	1	FOR AUS,NZL
54	372912	END CAP	1	
55		NAME PLATE	1	
56	372915	WHEEL GUARD	1	
57	372702	WHEEL NUT	1	
58		BRAND LABEL	1	
59	372917	TORX SCREW M3	2	
60	372902	CONTROLLER	1	
61	372948	PIVOTING BAR	1	
62	372914	SLIDE SWITCH KNOB	1	
63	372910	SLIDE BAR	1	

OPTIONAL ACCESSORIES

ITEM NO.	CODE NO.	DESCRIPTION	NO. USED	REMARKS
601	372701	CUTTING GUARD CLIP	1	
602	372960	GREASE (B) 100G	1	
603	371300	GREASE (SF011)	1	