

HITACHI

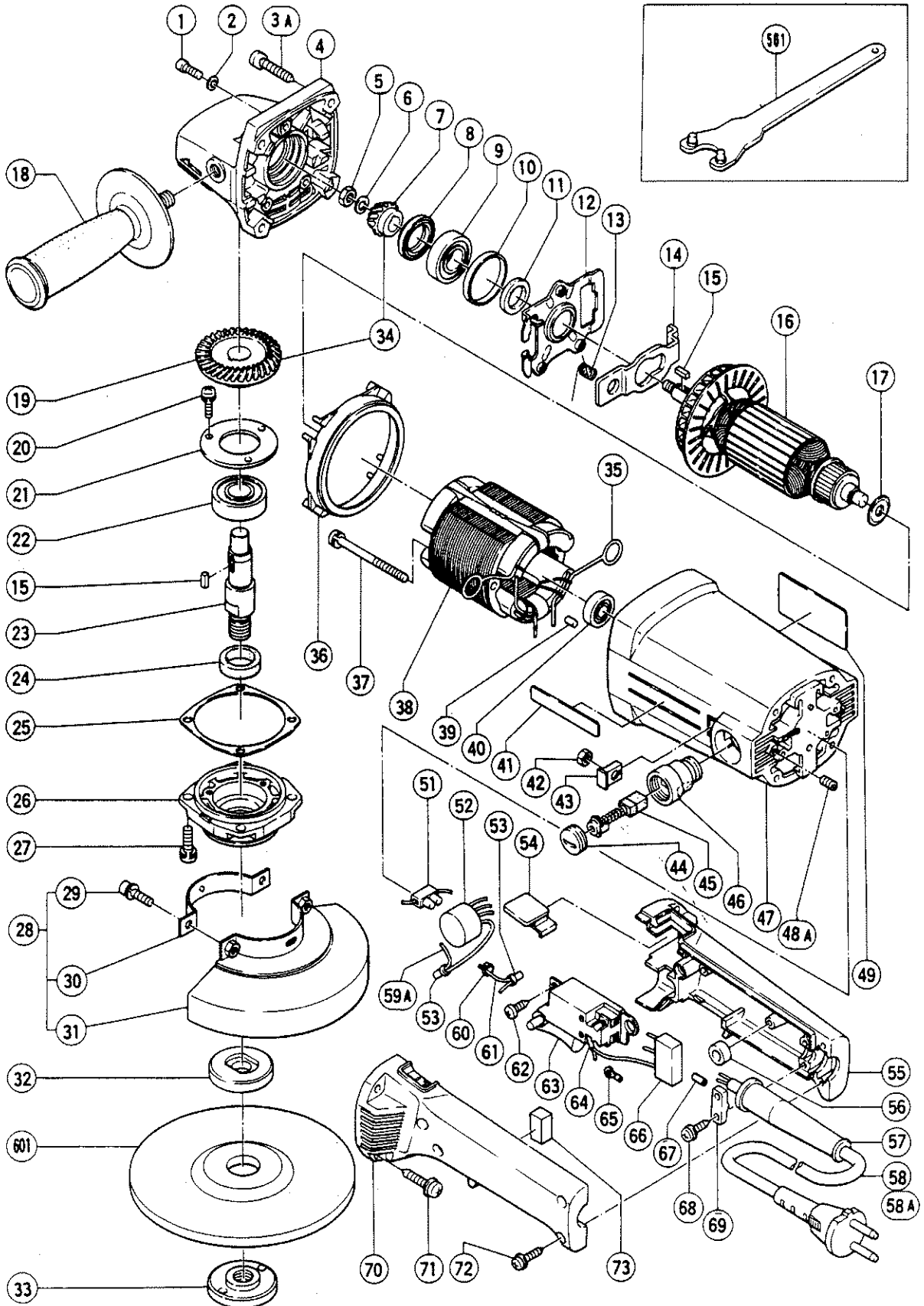
LIST NO. 0282

ELECTRIC TOOL PARTS LIST

■ DISC GRINDER
Model G 13SC

1995 · 3 · 9

(E4)



PARTS

G 13SC

| ITEM NO. | CODE NO. | DESCRIPTION | NO. USED | REMARKS | |
|----------|----------|--------------------------------------|--------------------------------------|---------|------------------------|
| 1 | 983-182 | SEAL LOCK HEX. SOCKET HD. BOLT M4X12 | 3 | | |
| 2 | 949-453 | SPRING WASHER M4 (10 PCS.) | 3 | | |
| 3A | 957-580 | TAPPING SCREW D5X30 | 4 | | |
| 4 | 994-145 | GEAR COVER | 1 | | |
| 5 | 949-587 | LOCK NUT M8 (10 PCS.) | 1 | | |
| 6 | 949-455 | SPRING WASHER M6 (10 PCS.) | 1 | | |
| 7 | 938-848 | PINION | 1 | | |
| 8 | 994-173 | SEAL RING | 1 | | |
| 9 | 600-2DD | BALL BEARING 6002DDUCMPS2S | 1 | | |
| 10 | 990-848 | RUBBER RING | 1 | | |
| 11 | 953-235 | FELT PACKING (A) | 1 | | |
| 12 | 994-148 | BEARING COVER | 1 | | |
| 13 | 994-148 | SPRING | 1 | | |
| 14 | 994-147 | LOCK PLATE | 1 | | |
| 15 | 940-533 | FEATHER KEY 3X3X10 | 2 | | |
| * | 18 | 360-025U | ARMATURE ASS'Y 110V - 127V | 1 | INCLUD.9,17,40 FOR USA |
| | 18 | 360-025C | ARMATURE 110V - 127V | 1 | FOR GBR |
| * | 18 | 360-025E | ARMATURE 220V | 1 | |
| * | 18 | 360-025F | ARMATURE 230V - 240V | 1 | |
| | 17 | 956-387 | DUST SEAL (A) | 1 | |
| | 18 | 994-322 | SIDE HANDLE | 1 | |
| | 19 | 994-171 | GEAR | 1 | |
| | 20 | 987-203 | SEAL LOCK SCREW (W/SP. WASHER) M4X12 | 3 | |
| | 21 | 937-077 | BEARING COVER (A) | 1 | |
| | 22 | 620-2VV | BALL BEARING 6202VVCMP2S | 1 | |
| * | 23 | 994-141 | SPINDLE | 1 | |
| * | 23 | 302-738 | SPINDLE | 1 | FOR USA,CAN |
| * | 23 | 994-154 | SPINDLE ASSY | 1 | FOR THA |
| | 24 | 938-403 | FELT PACKING | 1 | |
| | 25 | 953-239 | SEAL PACKING (A) | 1 | |
| | 26 | 938-387 | PACKING GLAND | 1 | |
| | 27 | 993-885 | SEAL LOCK SCREW (W/SP. WASHER) M5X16 | 4 | |
| | 28 | 994-172 | WHEEL GUARD ASSY | 1 | INCLUD.29 - 31 |
| * | 28 | 994-174 | WHEEL GUARD ASSY | 1 | INCLUD.29 FOR FIN |
| * | 28 | 305-082 | WHEEL GUARD ASSY | 1 | INCLUD.29 - 31 FOR USA |
| * | 29 | 987-512 | MACHINE SCREW (W/SP. WASHER) M5X16 | 2 | |
| * | 29 | 987-512 | MACHINE SCREW (W/SP. WASHER) M5X16 | 1 | FOR FIN |
| | 30 | 938-402 | SET RING (A) | 1 | |
| * | 31 | 938-432Z | WHEEL GUARD (A) | 1 | |
| * | 31 | 305-083 | WHEEL GUARD (A) | 1 | FOR USA |
| * | 32 | 937-907Z | WHEEL WASHER (A) | 1 | |
| * | 32 | 937-922P | WHEEL WASHER (B) FOR D5/8" HOLE | 1 | FOR USA,CAN |
| * | 32 | 937-928Z | WHEEL WASHER (A) FOR D16 HOLE | 1 | FOR THA |
| * | 33 | 937-909Z | WHEEL NUT M14X2 | 1 | |
| * | 33 | 937-923P | WHEEL NUT 5/8" - 11UNC | 1 | FOR USA,CAN |
| * | 33 | 937-929Z | WHEEL NUT M16X1.5 | 1 | FOR THA |
| | 34 | 994-170 | GEAR PINION ASSY | 1 | INCLUD.7,19 |
| | 35 | 930-703 | BRUSH TERMINAL | 2 | |
| | 36 | 994-149 | FAN GUIDE | 1 | |
| | 37 | 985-941 | MACHINE SCREW (W/SP. WASHER) M5X65 | 2 | |
| * | 38 | 340-028C | STATOR ASSY 110V - 127V | 1 | INCLUD.35 |

*: ALTERNATIVE PARTS

PARTS

G 13SC

| ITEM NO. | CODE NO. | DESCRIPTION | NO. USED | REMARKS |
|----------|----------|---------------------------------------|----------|---|
| * 38 | 340-028E | STATOR ASSY 220V | 1 | INCLUD.35 |
| * 38 | 340-028F | STATOR ASSY 230V - 240V | 1 | INCLUD.35 |
| * 38 | 340-028G | STATOR ASSY 220V - 230V | 1 | INCLUD.35 FOR SAF,ITA,FRG,FRA,HOL,DEN,FIN, SUI |
| * 38 | 340-028H | STATOR ASSY 240V | 1 | INCLUD.35 FOR GBR |
| * 38 | 340-028J | STATOR ASSY 110V | 1 | INCLUD.35 FOR GBR |
| * 38 | 340-028K | STATOR ASSY 230V | 1 | INCLUD.35 FOR NZL |
| 39 | 931-701 | BEARING LOCK | 1 | |
| 40 | 808-VVM | BALL BEARING 608VVMC2EPS2L | 1 | |
| 41 | 957-561 | HITACHI LABEL | 1 | |
| 42 | 949-555 | NUT M5 (10 PCS.) | 2 | |
| 43 | 953-232 | NUT COVER | 2 | |
| 44 | 945-181 | BRUSH CAP | 2 | |
| 45 | 989-043 | CARBON BRUSH (1 PAIR) | 2 | |
| 48 | 958-900 | BRUSH HOLDER | 2 | |
| 47 | 953-230 | HOUSING ASSY | 1 | INCLUD.46,48 |
| 48A | 961-881 | HEX. SOCKET SET SCREW M4X5 | 2 | |
| 49 | | NAME PLATE | 1 | |
| * 51 | 982-805Z | PILLAR TERMINAL (B) | 1 | FOR FIN |
| * 52 | 955-908 | CHOKE COIL | 1 | FOR NZL |
| * 53 | 959-140 | CONNECTOR 50091 (10 PCS.) | 5 | FOR NZL,GBR,SAF,ITA,FRG,FRA,HOL,DEN,SUI |
| 54 | 938-408Z | HOLE COVER (A) | 1 | |
| 55 | 953-258 | HANDLE (A) | 1 | |
| 56 | 940-811 | PUSHING HOLDER | 1 | |
| * 57 | 958-049Z | CORD ARMOR D8.2 | 1 | |
| * 57 | 940-778 | CORD ARMOR D10.7 | 1 | |
| * 58 | 500-234Z | CORD | 1 | (CORD ARMOR D8.2) |
| * 58 | 500-223Z | CORD | 1 | (CORD ARMOR D10.7) FOR SIN,KUW |
| * 58 | 500-228Z | CORD | 1 | (CORD ARMOR D8.2) FOR AUS,NZL,NGU |
| * 58 | 500-237Z | CORD | 1 | (CORD ARMOR D8.2) FOR GBR (110V),SAF |
| * 58 | 500-240Z | CORD | 1 | (CORD ARMOR D10.7) FOR CAN |
| * 58 | 500-245Z | CORD | 1 | (CORD ARMOR D10.7) FOR SYR |
| * 58 | 500-247Z | CORD | 1 | (CORD ARMOR D10.7) FOR FIN |
| * 58 | 500-248Z | CORD | 1 | (CORD ARMOR D10.7) FOR SUI |
| * 58 | 500-432Z | CORD | 1 | (CORD ARMOR D10.7) FOR USA |
| * 58 | 950-543Z | CORD | 1 | (CORD ARMOR D10.7) |
| * 58A | 500-435Z | CORD | 1 | (CORD ARMOR D8.2) FOR GBR (240V) |
| * 59A | 994-153 | INTERNAL WIRE | 2 | FOR NZL |
| 60 | 983-884 | WIRE BAND | 1 | |
| * 61 | 981-010 | INTERNAL WIRE | 1 | |
| 62 | 954-017 | TAPPING SCREW D4X12 | 1 | |
| * 63 | 953-178 | SWITCH (2P PILLAR TYPE) W/SAFETY LOCK | 1 | FOR FRA,DEN,FIN,ITA,GBR |
| * 63 | 931-573 | SWITCH (2P PILLAR TYPE) W/LOCK | 1 | (TILL 8.1988 FOR ITA ONLY) |
| * 64 | 981-373 | TUBE (D) | 2 | FOR NOISE SUPPRESSOR |
| * 65 | 980-083 | TERMINAL | 1 | FOR NOISE SUPPRESSOR |
| * 66 | 994-273 | NOISE SUPPRESSOR | 1 | |
| * 67 | 981-373 | TUBE (D) | 2 | FOR CORD |
| 68 | 930-446 | TAPPING SCREW (W/WASHER) D4X16 | 2 | |
| 69 | 937-831 | CORD CLIP | 1 | |
| 70 | 953-259 | HANDLE (B) | 1 | |
| 71 | 985-805 | TAPPING SCREW (W/WASHER) D5X25 | 4 | |

*: ALTERNATIVE PARTS

PARTS

G 13SC

| ITEM NO. | CODE NO. | DESCRIPTION | NO. USED | REMARKS |
|----------|----------|--------------------------------|----------|---------|
| 72 | 982-095 | TAPPING SCREW (W/WASHER) D4X20 | 3 | |
| 73 | 994-151 | RUBBER PLATE | 1 | |
| | | | | |
| | | | | |
| | | | | |
| | | | | |
| | | | | |
| | | | | |
| | | | | |
| | | | | |
| | | | | |
| | | | | |

STANDARD ACCESSORIES

| ITEM NO. | CODE NO. | DESCRIPTION | NO. USED | REMARKS |
|----------|----------|-------------|----------|---------|
| 501 | 937-913Z | WRENCH | 1 | |
| | | | | |
| | | | | |

OPTIONAL ACCESSORIES

| ITEM NO. | CODE NO. | DESCRIPTION | NO. USED | REMARKS |
|----------|----------|--|----------|------------------------------|
| 801 | 938-300Z | D. C. WHEELS 125MM A38Q (10 PCS.) | 1 | |
| 802 | 994-309 | HANDLE JOINT | 1 | |
| 803 | 994-325 | DIAMOND WHEEL (SEGMENT) 125MM - D22.2 HOLE | 1 | FOR CONCRETE |
| 804 | 994-326 | DIAMOND WHEEL 125MM - D22.2 HOLE | 1 | WAVE SHAPE TYPE FOR CONCRETE |
| 805 | 994-327 | DIAMOND WHEEL (SEGMENT) 125MM - D22.2 HOLE | 1 | FOR ABRASIVE MATERIALS |
| * 806 | 937-907Z | WHEEL WASHER (A) | 1 | FOR DIAMOND WHEEL FOR AUS |
| * 807 | 994-313 | WHEEL WASHER (C) FOR D22.2 HOLE | 1 | FOR DIAMOND WHEEL FOR USA |
| 808 | 994-328 | DIAMOND WHEEL (MORTAR RAKING) 125MM - D22 | 1 | |
| 809 | 994-329 | DIAMOND WHEEL (MORTAR RAKING) 125MM - D22 | 1 | |
| 810 | 307-007 | DIAMOND WHEEL (SEGMENT) 125MM - D22.2 HOLE | 1 | FOR CONCRETE |
| 811 | 310-392 | DIAMOND WHEEL (SEGMENT) 125MM - D22 HOLE | 1 | |
| | | | | |
| | | | | |
| | | | | |
| | | | | |
| | | | | |
| | | | | |
| | | | | |
| | | | | |
| | | | | |
| | | | | |
| | | | | |
| | | | | |
| | | | | |
| | | | | |
| | | | | |
| | | | | |
| | | | | |
| | | | | |
| | | | | |
| | | | | |
| | | | | |
| | | | | |
| | | | | |
| | | | | |
| | | | | |
| | | | | |
| | | | | |
| | | | | |
| | | | | |
| | | | | |
| | | | | |
| | | | | |

*: ALTERNATIVE PARTS