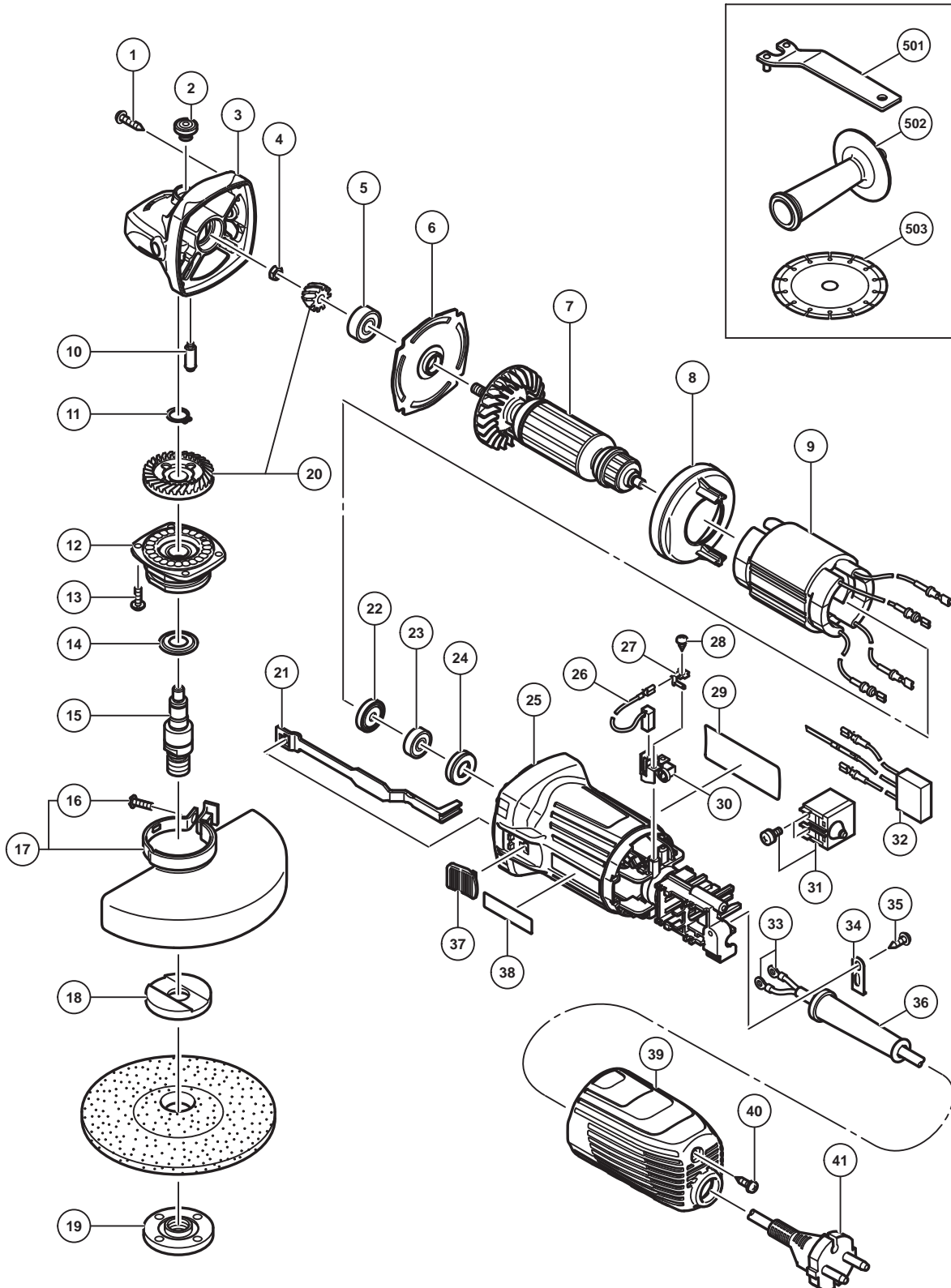


ELECTRIC TOOL PARTS LIST

■ DISC GRINDER
Model G 13STA

2015 · 6 · 3
(E1)



STANDARD ACCESSORIES

G 13STA

ITEM NO.	CODE NO.	DESCRIPTION	NO. USED	REMARKS	
501	938332Z	WRENCH	1		
502	302142	SIDE HANDLE	1		
503		DIAMOND CUTTER 125MM-D22.2 HOLE	1	SUPPLIED WITH ITEM NO.601	

OPTIONAL ACCESSORIES

ITEM NO.	CODE NO.	DESCRIPTION	NO. USED	REMARKS	
601	994325	DIAMOND WHEEL (SEGMENT) 125MM-D22.2	1		
602	316822	D. C. WHEELS 125MM A36Q (25 PCS.)	1		
603	937826Z	WASHER NUT	1		
604	937825Z	RUBBER PAD	1		
605	314062	SANDING DISCS 125MM C-P16 (10 PCS.)	1		
606	314063	SANDING DISCS 125MM C-P20 (10 PCS.)	1		
607	314064	SANDING DISCS 125MM C-P24 (10 PCS.)	1		
608	314065	SANDING DISCS 125MM C-P30 (10 PCS.)	1		
609	314066	SANDING DISCS 125MM C-P36 (10 PCS.)	1		
610	314067	SANDING DISCS 125MM C-P40 (10 PCS.)	1		
611	314068	SANDING DISCS 125MM C-P50 (10 PCS.)	1		
612	314069	SANDING DISCS 125MM C-P60 (10 PCS.)	1		
613	314070	SANDING DISCS 125MM C-P80 (10 PCS.)	1		
614	314071	SANDING DISCS 125MM C-P100 (10 PCS.)	1		
615	314072	SANDING DISCS 125MM C-P120 (10 PCS.)	1		