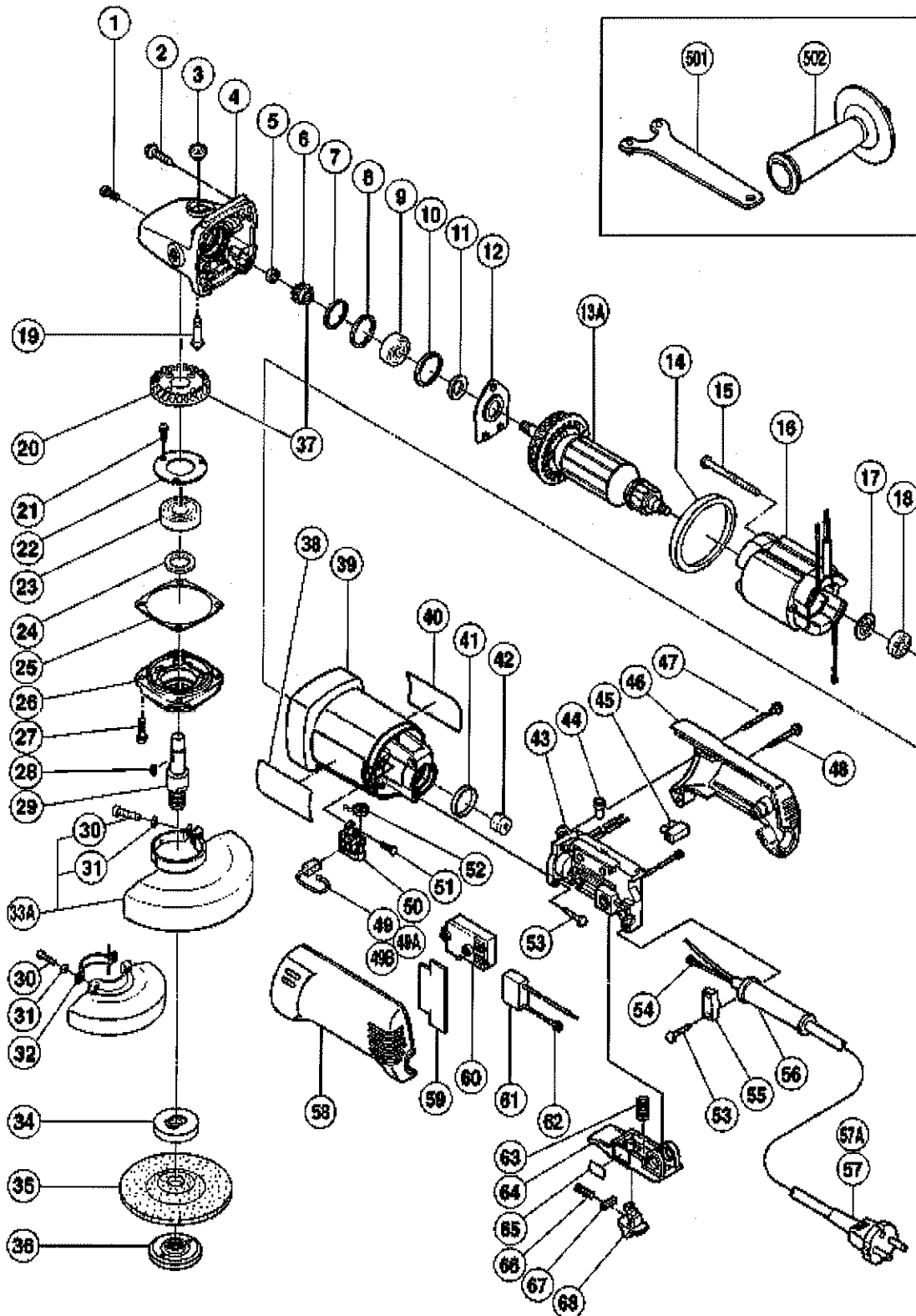


ELECTRIC TOOL PARTS LIST**■ ELECTRONIC DISC GRINDER**

2002 · 6 · 1

Model G 13YC**(E1-1)**

TEILE

G13YC

Pos. Nr.	Art.Nr.	BESCHREIBUNG	Nr. STUE	KOMMENTAR
1	303-255		3	
2	937-807		4	
3	301-944		1	
4	308-542		1	INCLUD.3,19
5	301-941		1	
6	308-541		1	
7	308-543		1	
8	980-866		1	
9	629-T12		1	
10	957-754		1	
11	994-320		1	
12	308-538		1	
* 13	360-333E		1	
* 13A	360-344K		1	
14	308-537		1	
15	982-021		2	
* 16	340-296C		1	
* 16	340-296E		1	
17	956-387		1	
18	608-VVM		1	
19	301-943		1	
20	308-540		1	
21	991-207		3	
22	936-680		1	
23	620-1DD		1	
24	308-546		1	
25	308-547		1	
26	308-545		1	
27	307-046		4	
28	944-109		1	
29	994-301		1	
30	949-241		2	TILL 7.2001
30	949-241		1	SINCE 8.2001
31	949-454		2	TILL 7.2001
31	949-454		1	SINCE 8.2001
32	938-302Z		1	TILL 7.2001
33A	320-192		1	INCLUD.30,31
34	937-817Z		1	
35	316-822		1	

*:ALTERNATIVTEILE

TEILE

G13YC

Pos. Nr.	Art.Nr.	BESCHREIBUNG	Nr. STUE	KOMMENTAR
36	994-324		1	
37	308-539		1	INCLUD.6,20
38			1	
39	308-559		1	
* 40			1	
41	995-662		1	
42	302-062		1	
* 43	308-550		1	
* 43	308-551		1	
* 43	308-552		1	FOR GBR (240V)
44	959-140		1	
45	938-307		1	
46	308-549		1	
47	303-694		2	
48	301-653		1	
* 49	999-088		2	
* 49B	999-076		2	
50	308-535		2	
51	306-945		4	
52	308-536		2	
53	984-750		3	
* 54	980-063		1	FOR CORD
55	960-266		1	
* 56	953-327		1	
* 56	938-051		1	
* 57	500-234Z		1	(CORD ARMOR D8.8)
* 57	500-435Z		1	(CORD ARMOR D8.8) FOR GBR (240V)
* 57	500-248Z		1	(CORD ARMOR D10.1) FOR SUI
* 57A	500-463Z		1	(CORD ARMOR D8.8) FOR GBR (110V)
58	308-548		1	
59	308-553		1	
60A	321-099		1	INCLUD.59
61	930-039		1	
62	980-063		1	FOR NOISE SUPPRESSOR
63	983-595		1	
64	308-554		1	
* 65	308-558		1	
* 65	308-557		1	FOR FRG,HOL,DEN,SWE,AUT,SUI,ESP
66	301-631		1	

*ALTERNATIVTEILE

TEILE

G13YC

Pos. Nr.	Art.Nr.	BESCHREIBUNG	Nr. STUE.	KOMMENTAR
67	982-696		1	
* 68	308-556		1	
* 68	308-555		1	FOR FRG,HOL,DEN,SWE,AUT,SUI,ESP

STANDARDZUBEHÖR

Pos. Nr.	Art.Nr.	BESCHREIBUNG	Nr. STUE.	KOMMENTAR
501	938-332Z		1	
502	994-322		1	