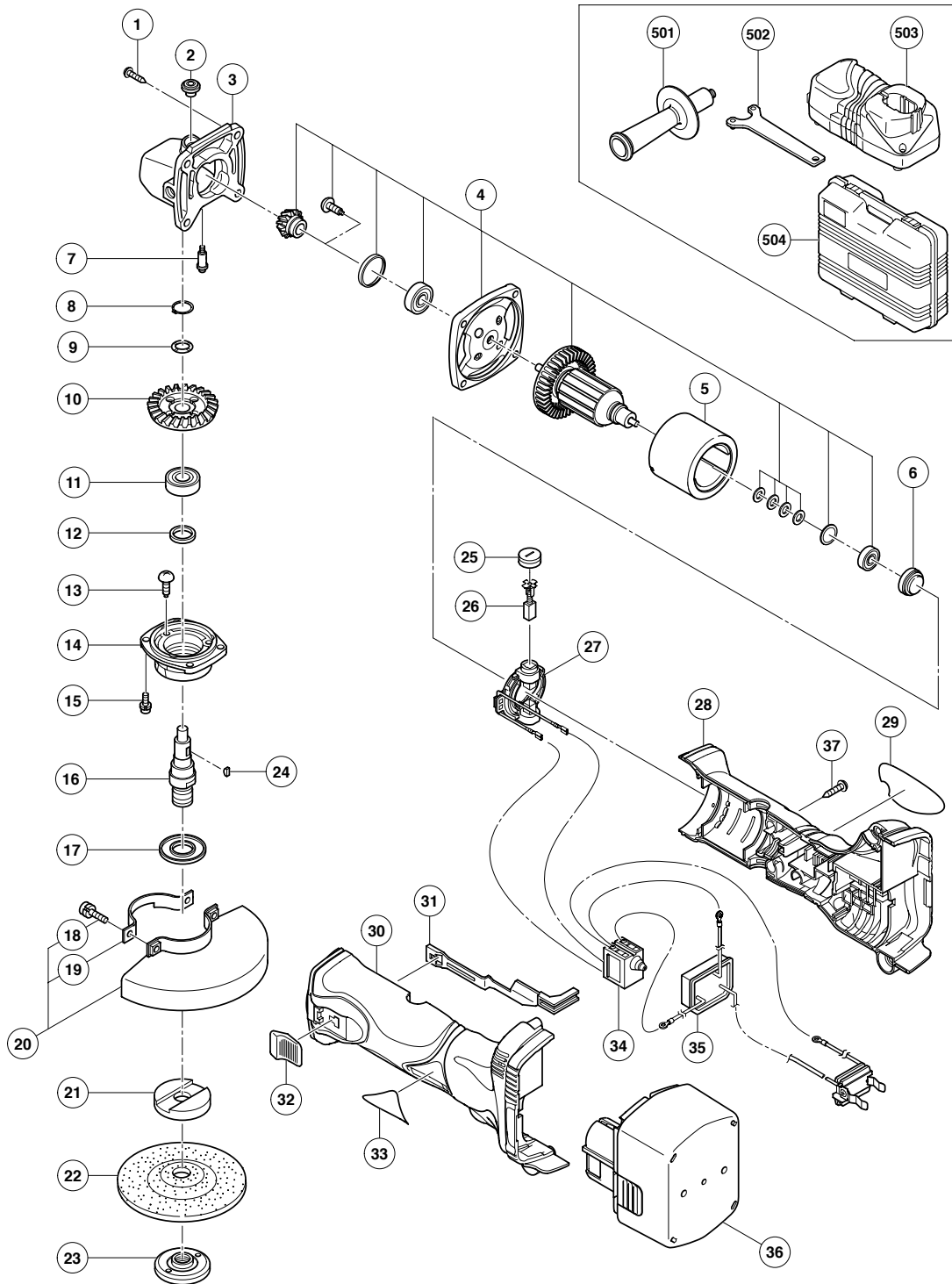


ELECTRIC TOOL PARTS LIST

CORDLESS DISC GRINDER
Model G 14DMR

2007 · 6 · 11
(E1)



PARTS

G 14DMR

ITEM NO.	CODE NO.	DESCRIPTION	NO. USED	REMARKS
1	328-643	TAPPING SCREW (W/FLANGE) D4X23 (BLACK)	4	
2	301-944	PUSHING BUTTON	1	
3	303-078	GEAR COVER ASS'Y	1	INCLUD. 2, 7
4	360-803	ARMATURE AND PINION SET	1	
5	328-195	MAGNET	1	
6	328-201	RUBBER BUSHING	1	
7	301-943	LOCK PIN	1	
8	316-487	RETAINING RING FOR D11 SHAFT	1	
9	316-486	WAVE WASHER	1	
10	328-196	GEAR	1	
11	600-1VV	BALL BEARING 6001VVCMP2L	1	
12	301-946	FELT PACKING	1	
13	301-936	SLOTTED HD. SCREW (SEAL LOCK) M4X10	3	
14	328-198	PACKING GLAND	1	
15	307-127	SEAL LOCK SCREW (W/SP. WASHER) M4X12	4	
16	328-359	SPINDLE M14	1	
17	301-945	FRINGER	1	
18	308-386	MACHINE SCREW (W/SP. WASHER) M5X16 (BLACK)	2	
19	301-949	SET PLATE	1	
20	315-492	WHEEL GUARD ASS'Y	1	INCLUD. 18, 19
21	937-817Z	WHEEL WASHER	1	
22	316-821	D. C. WHEELS 115MM A36Q (25 PCS.)	1	
23	994-324	WHEEL NUT M14	1	
24	302-047	WOODRUFF KEY	1	
25	328-200	BRUSH CAP	2	
26	999-054	CARBON BRUSH 5X6X11.5 (1 PAIR)	2	
27	328-202	BRUSH BLOCK	1	
28	328-355	HOUSING (D)	1	
29		NAME PLATE	1	
30	328-354	HOUSING (C)	1	
31	328-199	SLIDE BAR	1	
32	314-428	SLIDE KNOB	1	
33		HITACHI LABEL	1	
34	319-319	PUSHING BUTTON SWITCH	1	
35	328-658	CONTROLLER TERMINAL SET	1	
36	315-130	BATTERY EB 14B (EUROPE)	2	
37	301-653	TAPPING SCREW (W/FLANGE) D4X20 (BLACK)	5	

STANDARD ACCESSORIES

G 14DMR

ITEM NO.	CODE NO.	DESCRIPTION	NO. USED	REMARKS	
501	318-312	SIDE HANDLE	1		
502	938-332Z	WRENCH	1		
503		CHARGER (MODEL UC 18YG)	1		
504	328-206	CASE	1		

OPTIONAL ACCESSORIES

ITEM NO.	CODE NO.	DESCRIPTION	NO. USED	REMARKS	
601	937-826Z	WASHER NUT	1		
602	937-825Z	RUBBER PAD	1		
603	314-095	SANDING DISCS 115MM C-P16 (10 PCS.)	1		
604	314-096	SANDING DISCS 115MM C-P20 (10 PCS.)	1		
605	314-097	SANDING DISCS 115MM C-P24 (10 PCS.)	1		
606	314-098	SANDING DISCS 115MM C-P30 (10 PCS.)	1		
607	314-099	SANDING DISCS 115MM C-P36 (10 PCS.)	1		
608	314-100	SANDING DISCS 115MM C-P40 (10 PCS.)	1		
609	314-101	SANDING DISCS 115MM C-P50 (10 PCS.)	1		
610	314-102	SANDING DISCS 115MM C-P60 (10 PCS.)	1		
611	314-103	SANDING DISCS 115MM C-P80 (10 PCS.)	1		
612	314-104	SANDING DISCS 115MM C-P100 (10 PCS.)	1		
613	314-105	SANDING DISCS 115MM C-P120 (10 PCS.)	1		
614	310-338	SUPER WASHER	1		

ITEM NO.	CODE NO.	DESCRIPTION	NO. USED	REMARKS	