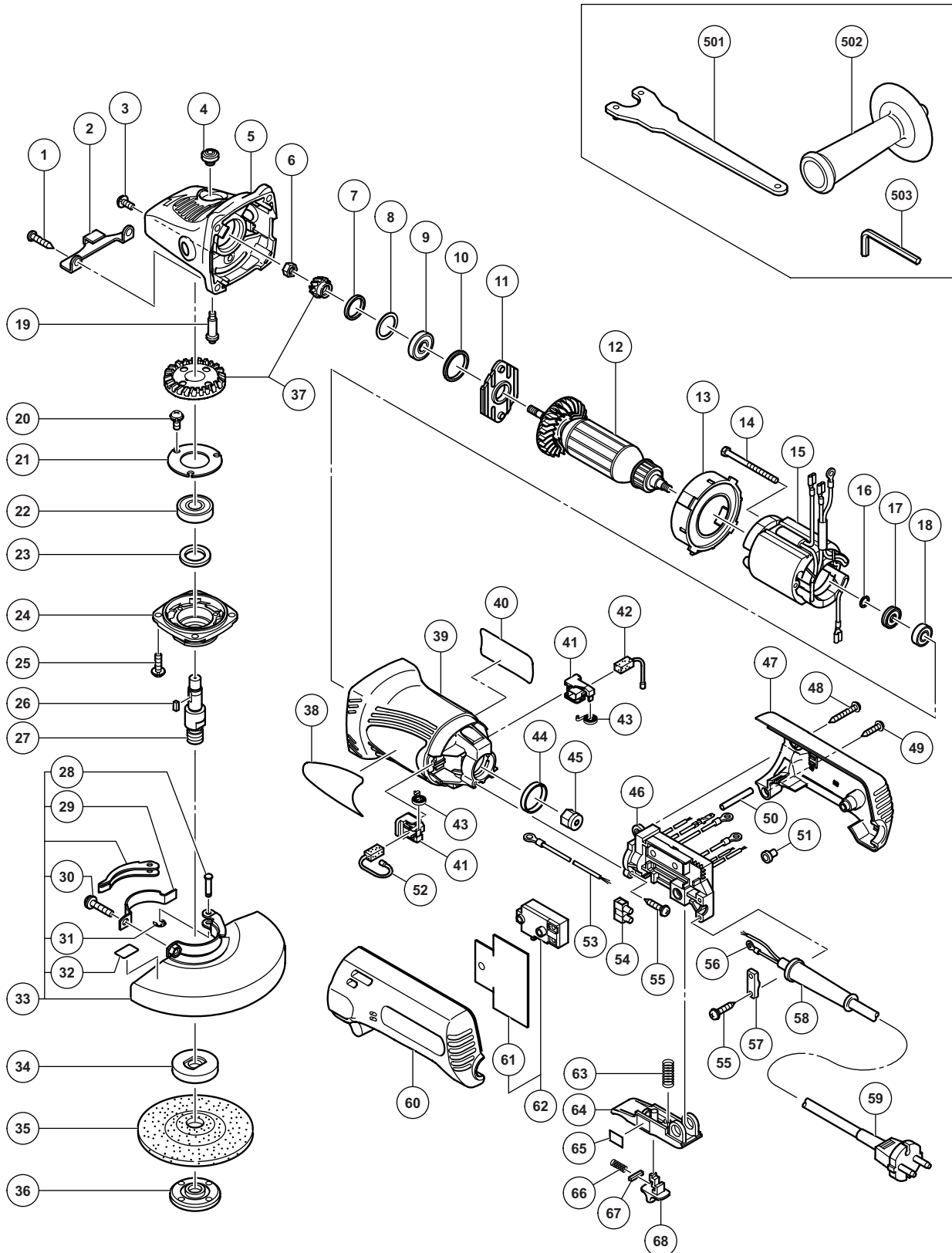


ELECTRIC TOOL PARTS LIST

■ ELECTRONIC DISC GRINDER Model G 15YC2

2012·1·20
(E1)



PARTS

G 15YC2

ITEM NO.	CODE NO.	DESCRIPTION	NO. USED	REMARKS
1	937-807	TAPPING SCREW D5 X 25	4	
2	331-931	STOP PIECE	1	
3	303-255	SEAL LOCK SCREW (W/SP. WASHER) M4 X 10	2	
4	301-944	PUSHING BUTTON	1	
5	321-737	GEAR COVER ASS'Y	1	INCLUD. 4, 19
6	309-191	SPECIAL NUT M6	1	
7	308-543	SEAL RING (A)	1	
8	980-866	WASHER (C)	1	
9	629-T12	BALL BEARING 629T12DDC3PS2-L	1	
10	957-754	RUBBER RING	1	
11	321-734	BEARING COVER	1	
12	360-870E	ARMATURE 230 V-240 V	1	
13	321-732	FAN GUIDE	1	
14	982-021	HEX. HD. TAPPING SCREW D4 X 70	2	
15	340-823E	STATOR 230 V-240 V	1	
16	311-737	THRUST WASHER	1	
17	311-435	DUST SEAL (A)	1	
18	608-VVM	BALL BEARING 608VVC2PS2L	1	
19	301-943	LOCK PIN	1	
20	991-207	SEAL LOCK SCREW (W/SP. WASHER) M4 X 8	3	
21	936-680	BEARING COVER (B)	1	
22	620-1DD	BALL BEARING 6201DDCMPS2L	1	
23	308-546	FELT PACKING	1	
24	308-545	PACKING GLAND	1	
25	307-046	SEAL LOCK SCREW (W/SP. WASHER) M5 X 16	4	
26	944-109	FEATHER KEY 3 X 3 X 8	1	
27	994-301	SPINDLE (A)	1	
28	311-744	SET PIN	1	
29	311-491	SET PIECE (B)	1	
30	316-107	HEX. SOCKET HD. BOLT (W/WASHERS) M5 X 20	1	
31	874-759	RETAINING RING (E-TYPE) FOR D2.5 SHAFT	1	
32	311-492	LABEL	1	
33	311-490	WHEEL GUARD ASS'Y	1	INCLUD. 28-32
34	937-817Z	WHEEL WASHER	1	
35	316-823	D. C. WHEELS 150MM A36Q (10 PCS.)	1	
36	994-324	WHEEL NUT M14	1	
37	311-486	GEAR ASS'Y	1	
38		HITACHI LABEL	1	
39	321-731	HOUSING	1	
40		NAME PLATE	1	
41	317-810	BRUSH HOLDER	2	
42	999-076	CARBON BRUSH (AUTO STOP TYPE) (1 PAIR)	1	
43	308-536	SPRING	2	
44	321-733	RUBBER RING	1	
45	318-721	MAGNET	1	
46	334-273	CONTROLLER 230 V-240 V	1	
47	334-504	TAIL COVER (B)	1	
48	303-694	TAPPING SCREW (W/FLANGE) D4 X 35 (BLACK)	2	
49	301-653	TAPPING SCREW (W/FLANGE) D4 X 20 (BLACK)	1	
50	334-505	SUMI TUBE W3F2	1	

PARTS

G 15YC2

ITEM NO.	CODE NO.	DESCRIPTION	NO. USED	REMARKS	
51	959-140	CONNECTOR 50091 (10 PCS.)	1		
52	999-088	CARBON BRUSH (1 PAIR)	1		
53	334-508	INTERNAL WIRE	1		
54	938-307	PILLAR TERMINAL	1		
55	984-750	TAPPING SCREW (W/FLANGE) D4 X 16	3		
56	980-063	TERMINAL	1		
57	960-266	CORD CLIP	1		
58	953-327	CORD ARMOR D8.8	1		
* 59	500-234Z	CORD	1		
* 59	500-247Z	CORD	1	FOR NOR, SWE, DEN, FIN	
60	321-738	TAIL COVER (A)	1		
61	308-553	DUST SEAL	1		
62	321-099	SWITCH ASS'Y	1	INCLUD. 61	
63	983-595	SPRING	1		
64	308-554	PADDLE LEVER	1		
* 65	308-558	LEVER ACTION SEAL	1		
* 65	308-557	LEVER ACTION SEAL	1	FOR BEL, FRG, ESP	
66	301-631	SPRING (F)	1		
67	982-696	FEATHER KEY 3 X 3 X 15	1		
* 68	308-556	LOCK LEVER (GRAY)	1		
* 68	308-555	LOCK LEVER (BLACK)	1	FOR BEL, FRG, ESP	

STANDARD ACCESSORIES

G 15YC2

ITEM NO.	CODE NO.	DESCRIPTION	NO. USED	REMARKS
501	937-913Z	WRENCH	1	
502	994-322	SIDE HANDLE	1	
503	944-458	HEX. BAR WRENCH 4 MM	1	

OPTIONAL ACCESSORIES

ITEM NO.	CODE NO.	DESCRIPTION	NO. USED	REMARKS
601	310-338	SUPER WASHER	1	
602	332-793	WHEEL GUARD BASE SET	1	WITH BASE FOOT
603	332-794	WHEEL GUARD (FOR CUTTING)	1	WITHOUT BASE FOOT
604	306-914	DIAMOND WHEEL (SEGMENT) 150 MM-D22.2 HOLE	1	FOR CONCRETE
605	306-915	DIAMOND WHEEL 150 MM-D22.2 HOLE	1	WAVE SHAPE TYPE FOR CONCRETE
606	306-916	DIAMOND WHEEL (SEGMENT) 150 MM-D22.2 HOLE	1	FOR ABRASIVE MATERIALS