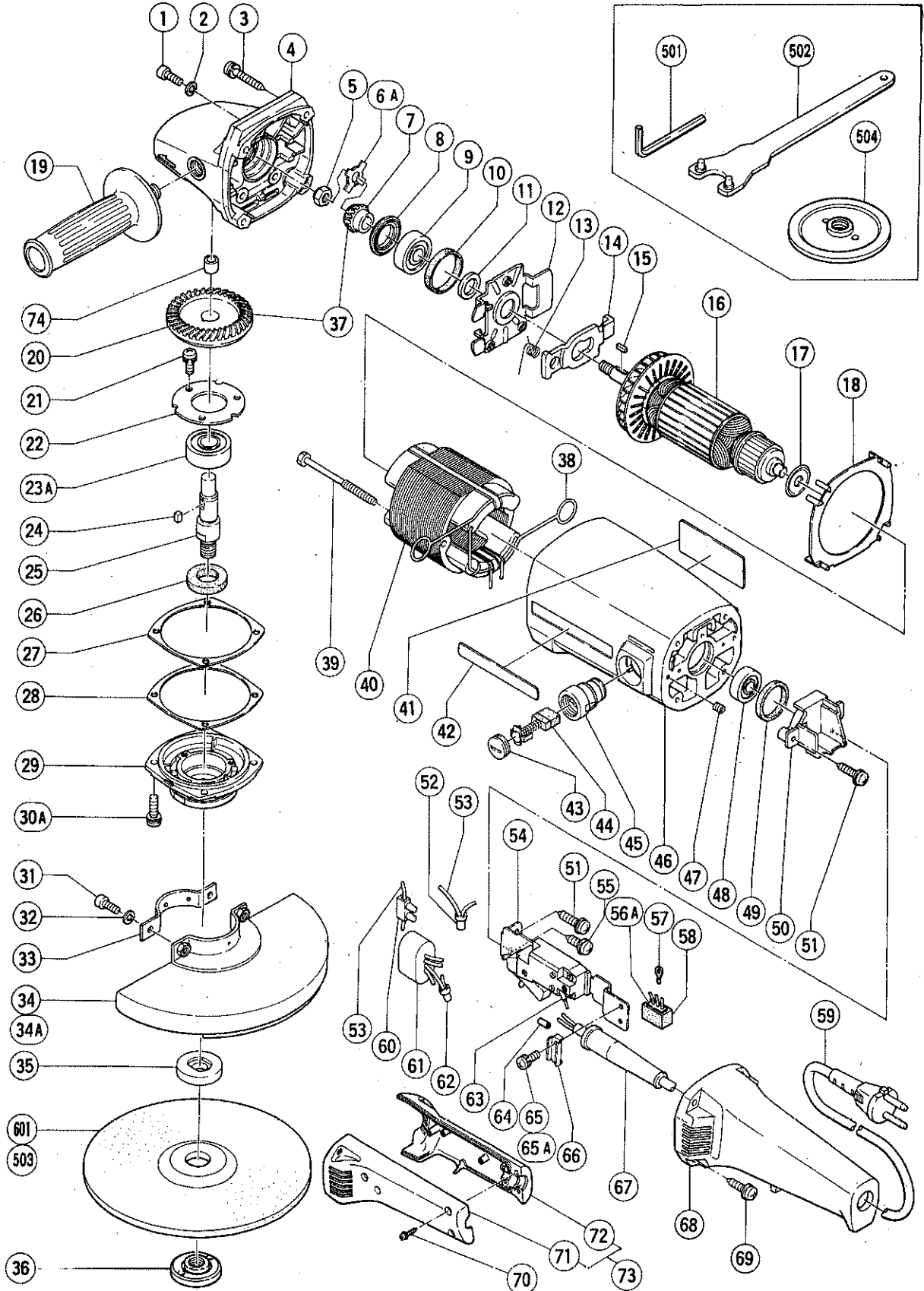


ELECTRIC TOOL PARTS LIST

■ DISC GRINDER
Model G 18SE

1992 · 8 · 31
(E4)



PARTS

G 18SE

ITEM NO.	CODE NO.	DESCRIPTION	NO. USED	REMARKS	
1	991-690	SEAL LOCK HEX. SOCKET HD. BOLT M5X12	3		
2	949-454	SPRING WASHER M5 (10 PCS.)	3		
3	983-454	TAPPING SCREW (W/SP. WASHER) D5X40	4		
4	994-203	GEAR COVER ASS'Y	1	INCLUD.74	
5	946-228	U - NUT M8	1		
6A	937-988	PAWL WASHER	1		
7	937-932Z	PINION	1		
8	994-209	SEAL RING	1		
9	630-1DD	BALL BEARING 6301DDUCMPS2S	1		
10	994-208	RUBBER RING (B)	1		
11	990-864	FELT PACKING (A)	1		
12	994-204	BEARING COVER (B)	1		
13	994-148	SPRING	1		
14	994-205	LOCK PLATE	1		
15	940-533	FEATHER KEY 3X3X10	1		
*	16	360-024C	ARMATURE 110V - 115V	1	
*	16	360-024D	ARMATURE 120V - 127V	1	
*	16	360-024E	ARMATURE 220V	1	
*	16	360-024F	ARMATURE 230V - 240V	1	
	17	955-260	DUST SEAL (A)	1	
	18	994-200	FAN GUIDE	1	
	19	937-981Z	SIDE HANDLE FOR M14	1	
	20	994-207	GEAR	1	
	21	992-038	SEAL LOCK SCREW (W/SP. WASHER) M5X10	3	
	22	937-035	BEARING COVER (B)	1	
	23A	630-2DD	BALL BEARING 6302DDUCMPS2S	1	
	24	980-809	FEATHER KEY 4X4X8	1	
*	25	990-857	SPINDLE	1	
*	25	994-215	SPINDLE	1	FOR USA,CAN
*	25	994-216	SPINDLE	1	FOR THA
	26	990-852	FELT PACKING (B)	1	
	27	990-855	SEAL PACKING (B)	1	
	28	990-856	THRUST WASHER (B)	1	
	29	993-996	PACKING GLAND	1	
	30A	994-192	HEX. SOCKET HD. BOLT (W/FLANGE) M5X16	4	
*	31	949-656	HEX. SOCKET HD. BOLT M8X20 (10 PCS.)	2	
*	31	949-656	HEX. SOCKET HD. BOLT M8X20 (10 PCS.)	1	FOR HOL,ITA
*	32	949-457	SPRING WASHER M8 (10 PCS.)	2	
*	32	949-457	SPRING WASHER M8 (10 PCS.)	1	FOR HOL,ITA
*	33	937-911	SET RING (A)	1	EXCEPT HOL,ITA
*	34	937-934Z	WHEEL GUARD	1	
*	34	937-960Z	WHEEL GUARD	1	FOR USA,CAN
*	34A	994-217	WHEEL GUARD	1	FOR HOL,ITA
*	35	937-907Z	WHEEL WASHER (A)	1	
*	35	937-908Z	WHEEL WASHER (B)	1	FOR AUS
*	35	937-922P	WHEEL WASHER (B) FOR D5/8" HOLE	1	FOR USA,CAN
*	35	937-928Z	WHEEL WASHER (A) FOR D16 HOLE	1	FOR THA
*	36	937-909Z	WHEEL NUT M14X2	1	
*	36	937-923P	WHEEL NUT 5/8" - 11UNC	1	FOR USA,CAN
*	36	937-929Z	WHEEL NUT M16	1	FOR THA
	37	994-206	GEAR ASS'Y	1	INCLUD.7,20

*: ALTERNATIVE PARTS

PARTS

G 18SE

ITEM NO.	CODE NO.	DESCRIPTION	NO. USED	REMARKS
38	958-032	BRUSH TERMINAL	2	
39	961-993	HEX. TAPPING SCREW D5X80	2	
* 40	340-025C	STATOR ASS'Y 110V - 115V	1	INCLUD.38
* 40	340-025D	STATOR ASS'Y 120V - 127V	1	INCLUD.38
* 40	340-025E	STATOR ASS'Y 220V	1	INCLUD.38
* 40	340-025F	STATOR ASS'Y 230V - 240V	1	INCLUD.38
* 40	340-025K	STATOR ASS'Y 220V	1	INCLUD.38 FOR ITA,FRG,FRA,HOL,DEN,FIN SWE,AUT,NOR,SUI
* 40	340-025G	STATOR ASS'Y 230V	1	INCLUD.38 FOR NZL
* 40	340-025H	STATOR ASS'Y 230V - 240V	1	INCLUD.38 FOR GBR,SAF
* 40	340-025J	STATOR ASS'Y 110V	1	INCLUD.38 FOR GBR
* 40	340-025L	STATOR ASS'Y 115V	1	INCLUD.38 FOR USA,CAN
41		NAME PLATE	1	
42	938-098	HITACHI LABEL	1	
* 43	940-540	BRUSH CAP	2	
* 43	937-949	BRUSH CAP	2	FOR AUT
* 44	999-044	CARBON BRUSH (1 PAIR)	2	
* 44	937-943Z	CARBON BRUSH (AUTO STOP TYPE) (1 PAIR)	2	FOR SWE,NOR
* 45	980-487	BRUSH HOLDER	2	
* 45	937-948	BRUSH HOLDER	2	FOR AUT
* 46	994-213	HOUSING ASS'Y	1	INCLUD.45,47
* 46	994-214	HOUSING ASS'Y	1	INCLUD.45,47 FOR AUT
47	961-681	HEX. SOCKET SET SCREW M4X5	2	
48	620-0VV	BALL BEARING 6200VVCMP2S	1	
49	994-202	RUBBER RING (A)	1	
50	994-201	BEARING COVER (C)	1	
51	956-636	TAPPING SCREW (W/WASHER) D4X25	2	
* 52	959-140	CONNECTOR 50091 (10 PCS.)	1	FOR NZL
* 53	981-010	INTERNAL WIRE	1	FOR NZL,FIN
* 54	981-204	SWITCH (2P PILLAR TYPE) W/LOCK	1	
* 54	937-985Z	SWITCH (2P PILLAR TYPE) W/SAFETY LOCK	1	FOR FRA,SWE,DEN,ITA,FIN,GBR
* 54	981-685P	SWITCH (2P SCREW TYPE) W/O LOCK	1	FOR USA,CAN
55	982-034	TAPPING SCREW (W/WASHER) D4X12	1	
* 56A	994-273	NOISE SUPPRESSOR	1	
* 57	961-419Z	TERMINAL	1	FOR NOISE SUPPRESSOR
* 58	930-153	SUPPORT (B)	1	FOR NOISE SUPPRESSOR
* 59	500-214Z	CORD	1	(CORD ARMOR D10.7)
* 59	500-223Z	CORD	1	(CORD ARMOR D10.7) FOR SIN,KUW
* 59	500-234Z	CORD	1	(CORD ARMOR D8.2) FOR INA,SUR,GRE
* 59	500-236Z	CORD	1	(CORD ARMOR D8.2) FOR NZL,NGU
* 59	500-237Z	CORD	1	(CORD ARMOR D8.2) FOR SAF
* 59	500-242Z	CORD	1	(CORD ARMOR D10.7) FOR USA,CAN
* 59	500-245Z	CORD	1	(CORD ARMOR D10.7) FOR SYR,ESP
* 59	500-246Z	CORD	1	(CORD ARMOR D10.7) FOR GBR
* 59	500-247Z	CORD	1	(CORD ARMOR D10.7) FOR ITA,FRG,FRA, HOL,DEN,FIN,SWE,AUT,NOR
* 59	500-248Z	CORD	1	(CORD ARMOR D10.7) FOR SUI
* 59	500-411Z	CORD	1	(CORD ARMOR D10.7) FOR AUS
* 59	500-420Z	CORD	1	(CORD ARMOR D10.7) FOR SAU (127V)
* 59	500-423Z	CORD	1	(CORD ARMOR D8.2) FOR SAU (220V)
* 60	938-307Z	PILLAR TERMINAL	1	FOR FIN

*: ALTERNATIVE PARTS

