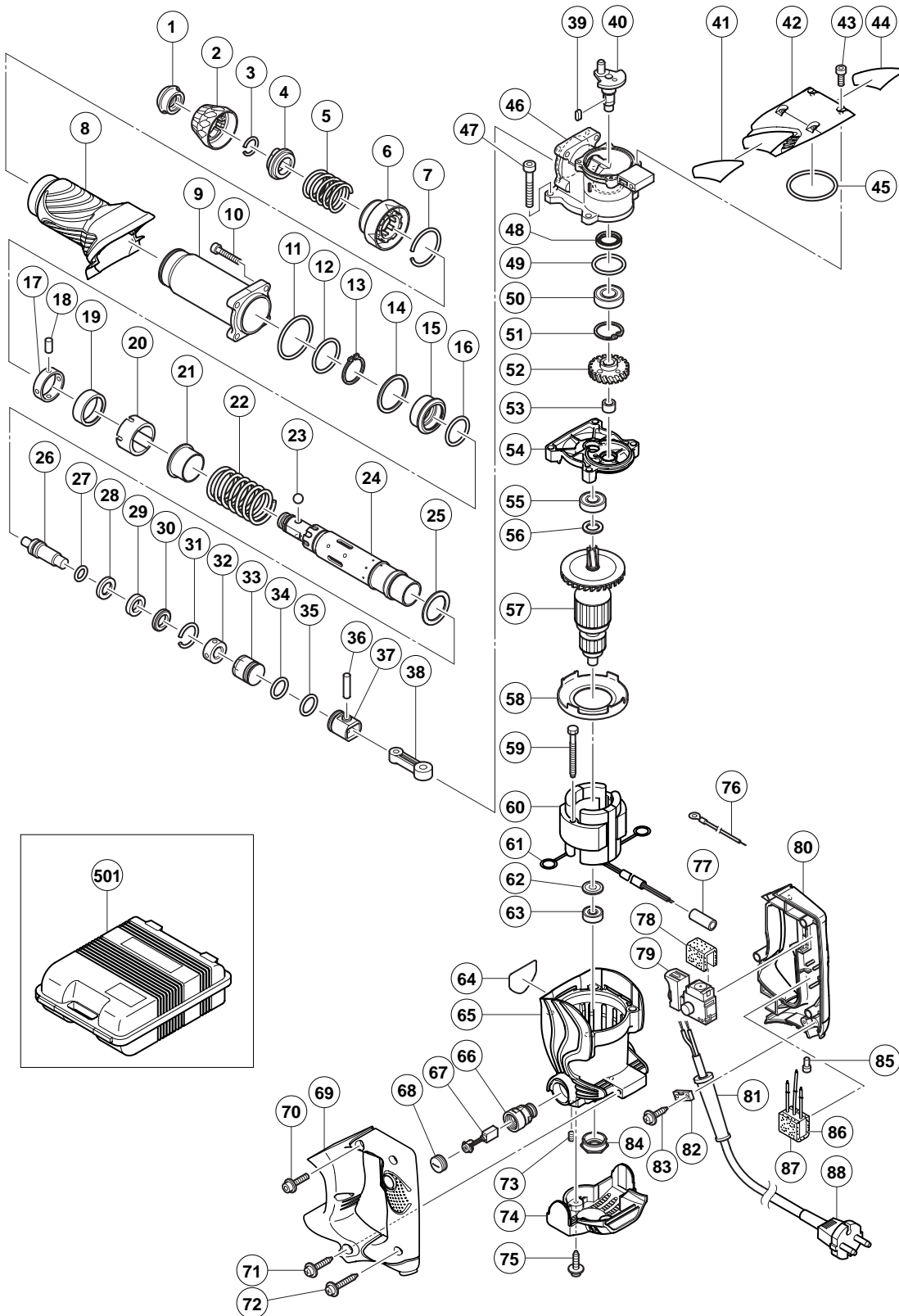


## ELECTRIC TOOL PARTS LIST

**DEMOLITION HAMMER**  
**Model H 25PV**

**2004 • 5 • 15**  
**(E1)**



# PARTS

H 25PV

ITEM NO.	CODE NO.	DESCRIPTION	NO. USED	REMARKS
1	323-078	FRONT CAP	1	
2	323-077	GRIP	1	
3	306-340	STOPPER RING	1	
4	323-076	BALL HOLDER	1	
5	323-075	RETAINER SPRING	1	
6	323-074	LOCK SLEEVE	1	
7	323-073	RING (A)	1	
8	323-093	CYLINDER CASE COVER	1	
9	323-072	CYLINDER CASE	1	
10	321-313	SEAL LOCK HEX. SOCKET HD. BOLT M6X22	4	
11	882-874	O-RING (S-46)	1	
12	984-483	O-RING (S-36)	1	
13	962-553	RETAINING RING FOR D28 SHAFT	1	
14	323-071	WASHER	1	
15	323-069	CYLINDER HOLDER	1	
16	323-070	O-RING (A)	1	
17	323-080	NEEDLE HOLDER	1	
18	991-449	NEEDLE ROLLER	4	
19	323-081	NEEDLE COVER	1	
20	323-065	SLIDE SLEEVE (B)	1	
21	323-064	SLIDE SLEEVE (A)	1	
22	323-067	SPRING (A)	1	
23	959-156	STEEL BALL D7.0 (10 PCS.)	2	
24	323-056	CYLINDER	1	
25	323-068	THRUST WASHER	1	
26	323-057	SECOND HAMMER	1	
27	323-058	O-RING (C)	1	
28	323-059	DAMPER WASHER	1	
29	323-060	DAMPER	1	
30	323-061	DAMPER HOLDER	1	
31	323-062	STOPPER RING	1	
32	323-063	SLIDE RING	1	
33	323-066	STRIKER	1	
34	319-577	O-RING (I.D 19.2)	1	
35	319-577	O-RING (I.D 19.2)	1	
36	319-581	PISTON PIN	1	
37	319-580	PISTON	1	
38	319-585	CONNECTING ROD	1	
39	944-109	FEATHER KEY 3X3X8	1	
40	323-054	CRANK SHAFT	1	
41		HITACHI LABEL	1	
42	323-079	CRANK CASE COVER	1	
43	983-162	SEAL LOCK HEX. SOCKET HD. BOLT M4X12	4	
44		HITACHI LABEL	1	
45	980-715	O-RING (S-48)	1	
46	323-053	CRANK CASE	1	
47	949-692	HEX. SOCKET HD. BOLT M6X35 (10 PCS.)	4	
48	981-851	OIL SEAL (B)	1	
49	872-767	O-RING (S-32)	1	
50	600-2DD	BALL BEARING 6002DDCMPS2L	1	
51	948-001	RETAINING RING FOR D32 HOLE	1	

**PARTS**

H 25PV

ITEM NO.	CODE NO.	DESCRIPTION	NO. USED	REMARKS
52	323-055	FIRST GEAR	1	
53	939-299	NEEDLE BEARING (M661)	1	
54	323-084	GEAR COVER	1	
55	600-1DD	BALL BEARING 6001DDCMPS2L	1	
56	971-736	WASHER (B)	1	
* 57	360-660C	ARMATURE 110V-115V	1	
* 57	360-660E	ARMATURE 220V-230V	1	
* 57	360-660F	ARMATURE 240V	1	
58	323-083	FAN GUIDE	1	
59	980-864	HEX. HD. TAPPING SCREW D5X40	2	
* 60	340-593C	STATOR ASS'Y 110V-115V	1	INCLUD. 61
* 60	340-593E	STATOR ASS'Y 220V-230V	1	INCLUD. 61
* 60	340-593F	STATOR ASS'Y 240V	1	INCLUD. 61
61	930-703	BRUSH TERMINAL	2	
62	982-631	WASHER (A)	1	
63	608-VVM	BALL BEARING 608VVC2PS2L	1	
64		NAME PLATE	1	
65	323-082	HOUSING ASS'Y	1	INCLUD. 66, 73
66	958-900	BRUSH HOLDER	2	
67	999-056	CARBON BRUSH (1 PAIR)	2	
68	945-161	BRUSH CAP	2	
69	323-092	HANDLE (B)	1	
70	994-192	HEX. SOCKET HD. BOLT (W/FLANGE) M5X16	2	
71	302-089	TAPPING SCREW (W/FLANGE) D5X20 (BLACK)	2	
72	307-028	TAPPING SCREW (W/FLANGE) D4X25 (BLACK)	3	
73	938-477	HEX. SOCKET SET SCREW M5X8	2	
74	323-085	TAIL COVER	1	
75	307-811	TAPPING SCREW (W/FLANGE) D4X16 (BLACK)	2	
76	994-190	INTERNAL WIRE	1	
77	321-322	VINYL TUBE	1	
78	317-492	SUPPORT (B)	1	
79	323-086	SWITCH (1P PILLAR TYPE)	1	
80	323-091	HANDLE (A)	1	
81	953-327	CORD ARMOR D8.8	1	FOR CORD
82	960-266	CORD CLIP	1	
83	984-750	TAPPING SCREW (W/FLANGE) D4X16	2	
84	310-111	BEARING BUSHING (B)	1	
85	959-140	CONNECTOR 50091 (10 PCS.)	1	
86	994-273	NOISE SUPPRESSOR	1	
87	317-492	SUPPORT (B)	1	
* 88	500-390Z	CORD	1	CORD ARMOR D8.8
* 88	500-446Z	CORD	1	CORD ARMOR D8.8 FOR GBR (230V)
* 88	500-454Z	CORD	1	CORD ARMOR D8.8 FOR GBR (110V)
* 88	500-439Z	CORD	1	CORD ARMOR D8.8 FOR AUS

