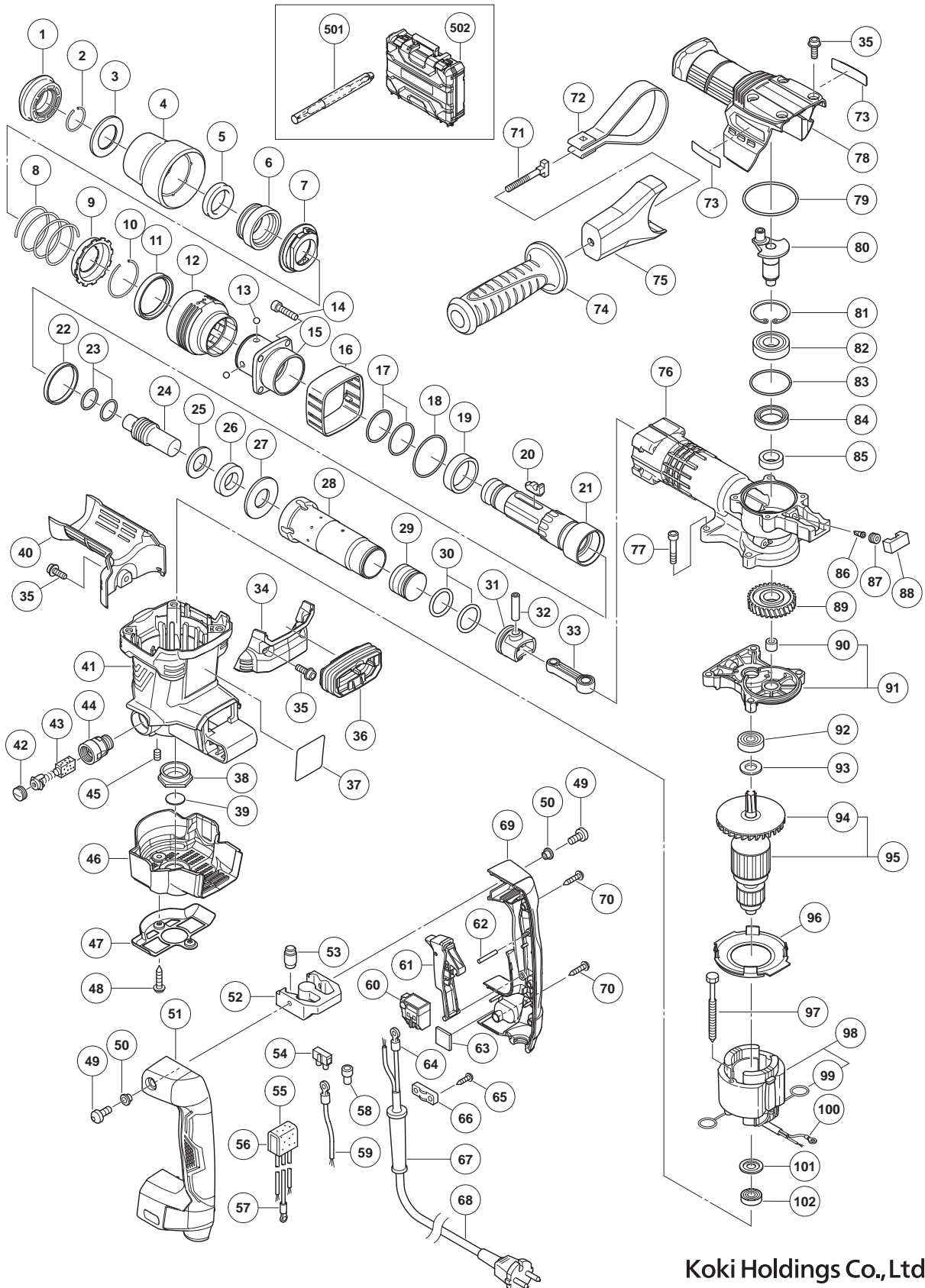


# ELECTRIC TOOL PARTS LIST

## DEMOLITION HAMMER Model H 41MB2

2018-10-22  
(E1)



## PARTS

H 41MB2

ITEM NO.	CODE NO.	DESCRIPTION	NO. USED	REMARKS
1	337562	FRONT CAP	1	
2	318590	STOPPER RING	1	
3	370172	RETAINER WASHER	1	
4	370173	GRIP	1	
5	337559	RETAINER DAMPER (A)	1	
6	337558	BIT LOCK HOLDER	1	
7	370242	SPRING HOLDER (A)	1	
8	370243	RETAINER SPRING	1	
9	370244	SPRING HOLDER (B)	1	
10	333255	STOPPER RING	1	
11	373288	BALL HOLDER	1	
12	373279	GRIP (B)	1	
13	959150	STEEL BALL D6.35 (10 PCS.)	4	
14	981942	SEAL LOCK HEX. SOCKET HD. BOLT M6 X 25	4	
15	373280	FRONT COVER	1	
16	373236	TOP COVER	1	
17	980879	O-RING (S-34)	2	
18	373251	O-RING (I.D 44.5)	1	
19	373281	RETAINER DAMPER (B)	1	
20	370654	BIT LOCK	2	
21	373284	RETAINER SLEEVE	1	
22	373249	DAMPER (C)	1	
23	313396	O-RING (C)	2	
24	373285	SECOND HAMMER	1	
25	373286	DAMPER WASHER	1	
26	321289	DAMPER	1	
27	373287	DAMPER HOLDER	1	
28	374774	CYLINDER	1	
29	373283	STRIKER	1	
30	320823	O-RING	2	
31	320824	PISTON	1	
32	373256	PISTON PIN	1	
33	373275	CONNECTING ROD	1	
34	373237	BACK COVER	1	
35	998485	HEX. SOCKET HD. BOLT (W/FLANGE) M5 X 14	7	
36	373252	BELLOWS	1	
37		NAME PLATE	1	
38	310111	BEARING BUSHING (B)	1	
39	333263	DUST SEAL	1	
40	373234	HOOD	1	
41	373276	HOUSING ASS'Y	1	INCLUD.44,45
42	945161	BRUSH CAP	2	
43	999043	CARBON BRUSH (1 PAIR)	1	
43	999073	CARBON BRUSH (AUTO STOP TYPE) (1 PAIR)	1	
44	958900	BRUSH HOLDER	2	
45	938477	HEX. SOCKET SET SCREW M5 X 8	2	
46	373239	TAIL COVER	1	
47	373248	PLATE	1	
48	301653	TAPPING SCREW (W/FLANGE) D4 X 20 (BLACK)	2	
49	373263	SEAL LOCK BUTTON BOLT M5	2	

**PARTS**

H 41MB2

ITEM NO.	CODE NO.	DESCRIPTION	NO. USED	REMARKS
50	991711	DISTANCE PIECE (B)	2	
51	373242	HANDLE (A)	1	
52	373231	TRANSATORY UNIT	1	
53	310124	HANDLE DAMPER	4	
* 54	938307	PILLAR TERMINAL	1	FOR EUROPE,GBR,AUS,NZL,SAF,RUS,CHN,USA, MEX,PAN (120V)
* 55	317492	SUPPORT (B)	1	FOR EUROPE,GBR,AUS,NZL,SAF,RUS,CHN
* 56	374463	NOISE SUPPRESSOR (V)	1	INCLUD.55 FOR EUROPE,GBR,AUS,NZL,SAF, RUS,CHN
* 57	961419Z	TERMINAL	1	FOR EUROPE,GBR,AUS,NZL,SAF,RUS,CHN
* 58	959141	CONNECTOR 50092 (10 PCS.)	1	EXCEPT FOR USA,MEX,PAN (120V)
* 59	981974	INTERNAL WIRE	1	FOR EUROPE,GBR,AUS,NZL,SAF,RUS,CHN
60	371171	SWITCH	1	
61	373241	TRIGGER	1	
62	949890	PIN D3 X 20 (10 PCS.)	1	
63	374462	CUSHION RUBBER	2	
* 64	980063	TERMINAL	1	
* 64	930804	TERMINAL M4.0 (10 PCS.)	1	FOR USA,MEX,PAN (120V)
65	984750	TAPPING SCREW (W/FLANGE) D4 X 16	2	
66	960266	CORD CLIP	1	
* 67	958049	CORD ARMOR D8.2	1	
* 67	940778	CORD ARMOR D10.7	1	
* 68	500390Z	CORD	1	(CORD ARMOR D8.2)
* 68	500235Z	CORD	1	(CORD ARMOR D8.2) FOR INA,IND,PAN (220V)
* 68	500434Z	CORD	1	(CORD ARMOR D8.2) FOR USA,MEX,PAN (120V)
* 68	500408Z	CORD	1	(CORD ARMOR D8.2) FOR AUS,NZL
* 68	500446Z	CORD	1	(CORD ARMOR D8.2) FOR GBR(230V),UAE(230V)
* 68	500465Z	CORD	1	(CORD ARMOR D8.2) FOR GBR (110V)
* 68	500457Z	CORD	1	(CORD ARMOR D10.7) FOR CHN
* 68	500477Z	CORD	1	(CORD ARMOR D10.7) FOR UAE (110V)
69	373243	HANDLE (B)	1	
70	301653	TAPPING SCREW (W/FLANGE) D4 X 20 (BLACK)	4	
71	331247	HANDLE BOLT	1	
72	373245	BAND	1	
73		BRAND LABEL	2	
74	330209	SIDE HANDLE	1	
75	373244	MOUNT	1	
76	373289	CYLINDER CRANK CASE ASS'Y	1	INCLUD.86,87
77	322494	SEAL LOCK HEX. SOCKET HD. BOLT M6 X 40	4	
78	374474	CRANK COVER	1	
79	373250	O-RING (I.D 53.9)	1	
80	373246	CRANK SHAFT	1	
81	948391	RETAINING RING FOR D40 HOLE	1	
82	6203DD	BALL BEARING 6203DDCMPS2L	1	
83	996363	O-RING (S-40)	1	
84	310119	OIL SEAL	1	
85	373254	DISTANCE RING	1	
86	995396	VALVE	1	
87	338313	CAP SCREW	1	
88	374461	FELT	1	



**STANDARD ACCESSORIES**

H 41MB2

ITEM NO.	CODE NO.	DESCRIPTION	NO. USED	REMARKS
501	313471	BULL POINT (SDS MAX) 280L	1	
502	373405	CASE	1	

**OPTIONAL ACCESSORIES**

ITEM NO.	CODE NO.	DESCRIPTION	NO. USED	REMARKS
601	981840	GREASE (A) FOR HAMMER.HAMMER DRILL (30G)	1	
602	308471	GREASE FOR HAMMER.HAMMER DRILL (70G)	1	
603	980927	GREASE FOR HAMMER.HAMMER DRILL (500G)	1	
604	313472	BULL POINT (SDS MAX) 400L	1	
605	313473	COLD CHISEL (SDS MAX) 280MM	1	
606	313474	COLD CHISEL (SDS MAX) 400MM	1	
607	313475	CUTTER (SDS MAX) W50 X 400L	1	
608	313476	SCOOP (SDS MAX) 400L	1	
609	313477	BUSHING TOOL (SDS MAX)	1	
610	313478	RAMMER (SDS MAX) 150MM X 150MM	1	
611	313479	SHANK (SDS MAX)FOR RAMMER,BUSHING TOOL	1	