

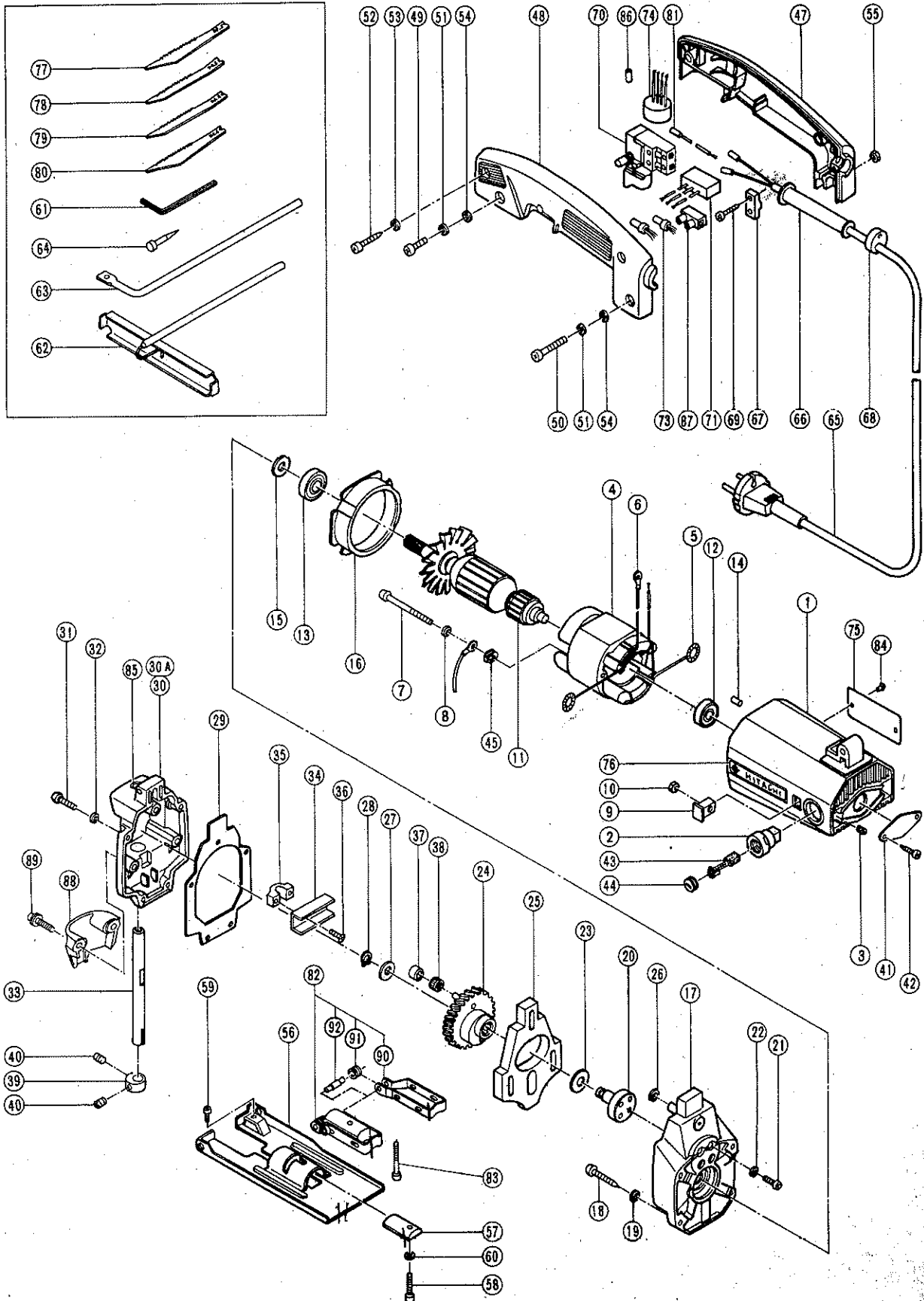
ELECTRIC TOOL PARTS LIST

■ JIG SAW

1985-3-30

Model JH-60A

JH-60A(E5)



PARTS

JH-60A(E5)

Item No.	Code No.	Part Name	Q'ty	Remarks
1	958240	Housing Ass'y	1	includ. 2, 3, 16
2	957571	Brush Holder	2	
3	949368Z	Slotted Set Screw M4 x 10	2	(10 pcs.)
5	930630	Brush Terminal Ass'y	2	
7	949230Z	⊕ Hd. Machine Screw M4 x 50	2	(10 pcs.)
8	949453Z	Spring Lock Washer	2	for M4 (10 pcs.)
9	958243	Nut Cover	2	
10	949554Z	Nut M4	2	(10 pcs.)
12	939396	Ball Bearing (608ZZC2)	1	
13	939435	Ball Bearing (6000ZZCM)	1	
14	931701	Bearing Lock	1	
15	958246	Felt Packing	1	
17	958248	Gear Cover Ass'y	1	
18	937807	⊕ Tapping Screw M5 x 25	4	
19	949454Z	Spring Lock Washer	4	for M5 (10 pcs.)
20	958249	Spindle	1	
21	949215Z	⊕ Hd. Machine Screw M4 x 8	4	(10 pcs.)
22	949453Z	Spring Lock Washer	4	for M4 (10 pcs.)
23	957540	Washer (A)	1	
24	958250	Gear Ass'y	1	
25	958251	Balance Weight	1	
26	957585	Washer	3	
27	940080	Washer (C)	1	
28	940079	C-Type Retaining Ring	1	for D8 shaft
29	958252	Packing	1	
30	—	Upper Cover Ass'y	1	See alternative parts
31	949219Z	⊕ Hd. Machine Screw M4 x 16	4	(10 pcs.)
32	949453Z	Spring Lock Washer	4	for M4 (10 pcs.)
33	958254	Plunger	1	
34	940085	Connector	1	
35	958255	Connector Holder	1	
36	958189	⊕ Flat Hd. Screw M4 x 12	2	
37	940916	Connecting Piece	1	
38	940917	Needle Roller (K6/8)	1	
39	958256	Set Ring	1	
40	958257	Hexagon Socket Hd. Set Screw M6 x 8	2	
41	958258	Tail Cover	1	
42	954017	⊕ Tapping Screw M4 x 12	2	
43	999021	Carbon Brush	2	
44	931266	Brush Cap	2	
47	958259	Handle (A)	1	
48	958260	Handle (B)	1	
49	949239Z	⊕ Hd. Machine Screw M5 x 16	2	(10 pcs.)
50	949245Z	⊕ Hd. Machine Screw M5 x 30	1	(10 pcs.)
51	949454Z	Spring Lock Washer	3	for M5 (10 pcs.)
52	956384	⊕ Tapping Screw M4 x 20	2	
53	949423Z	Washer	2	for M4 (10 pcs.)
54	949424Z	Washer	3	for M5 (10 pcs.)
55	949555Z	Nut M5	1	(10 pcs.)
56	963370	Base Ass'y	1	
57	958262	Base Locker	1	
58	949699Z	Hexagon Socket Hd. Set Screw M4 x 20	1	(10 pcs.)
59	949235Z	⊕ Hd. Machine Screw M5 x 8	1	(10 pcs.)

PARTS

JH-60A(E5)

Item No.	Code No.	Part Name	Q'ty	Remarks
60	949453Z	Spring Lock Washer	1	for M4 (10 pcs.)
61	943277	Hexagon Bar Wrench 3	1	for M4 set screw
62	957673	Guide Ass'y	1	
63	963384	Circular Guide	1	
64	940092	Guide Center	1	
67	937631	Cord Clip	1	
68	940928	Wrench Holder	1	
69	954004	⊕ Tapping Screw M4 x 16	2	
76	957561	HITACHI Label	1	
77	—	Blade No. 2	1	See OPTIONAL ACCESSORIES
78	—	Blade No. 3	1	
79	—	Blade No. 4	1	
80	—	Blade No. 6	1	
83	971457	Hexagon Socket Hd. Set Screw M4 x 30	1	
85	957605	Metal Bush 9 x 12	1	
The following parts differ according to the time of production.				
16	958247	Fan Guide	1	till 3, 1979
	958276	Fan Guide	1	since 4, 1979

ALTERNATIVE PARTS

Item No.	Code No.	Part Name	Q'ty	Remarks
4	958241	Stator Ass'y 100V	1	includ. 5
	958242	Stator Ass'y 200V	1	includ. 5
	958242C	Stator Ass'y 110V ~ 115V	1	includ. 5
	958242D	Stator Ass'y 120V ~ 127V	1	includ. 5
	958242E	Stator Ass'y 220V ~ 230V	1	includ. 5
	958242F	Stator Ass'y 240V	1	includ. 5, w/choke coil
	958242G	Stator Ass'y 220V ~ 230V	1	includ. 5, w/choke coil
	959242H	Stator Ass'y 240V	1	includ. 5
	958305G	Stator Ass'y 220V ~ 230V	1	includ. 5
	958242K	Stator Ass'y 240V	1	includ. 5
	958242M	Stator Ass'y 220V ~ 230V	1	includ. 5, for Norway
11	958244	Armature Ass'y 100V	1	
	958245	Armature Ass'y 200V	1	
	958245C	Armature Ass'y 110V ~ 115V	1	
	958245D	Armature Ass'y 120V ~ 127V	1	
	958245E	Armature Ass'y 220V ~ 230V	1	
	958245F	Armature Ass'y 240V	1	
	958277J	Armature Ass'y 110V ~ 115V	1	for UK
	958277G	Armature Ass'y 220V ~ 230V	1	for Finland, Denmark, Sweden
	958277H	Armature Ass'y 240V	1	for UK
30	958253	Upper Cover Ass'y	1	includ. 85
30A	958288	Upper Cover Ass'y	1	includ. 85, for F.R. Germany, Italy
45	957592	Grounding Washer D4	1	
65	500201Z	Cord Ass'y	1	w/o terminal for Asia
	958270Z	Cord Ass'y	1	for Oceania
	550223Z	Cord Ass'y	1	w/o terminal for Singapore
	958271Z	Cord Ass'y	1	w/o plug for U.K., S. Africa

ALTERNATIVE PARTS

JH-60A(E5)

Item No.	Code No.	Part Name	Q'ty	Remarks
65	958272Z	Cord Ass'y	1	for Europe
	500240Z	Cord Ass'y	1	for U.S.A.
	958274Z	Cord Ass'y	1	for Switzerland
	958273Z	Cord Ass'y	1	for Holland
66	953327	Cord Armor D8.2	1	
	938051	Cord Armor D10.1	1	
70	957747	Single Pole Switch (Screw Type)	1	w/lock
	971667Z	Double Pole Switch (Pillar Type)	1	w/lock
71	981372	Noise Suppressor	1	w/o terminal
	971828Z	Noise Suppressor	1	w/o terminal for Finland, Austria
	—	Noise Suppressor	1	w/o terminal for Switzerland
73	939310Z	Connector	4	(10 pcs.)
74	958263	Choke Coil Ass'y	1	
	955908	Choke Coil Ass'y	1	for France, Holland
75	—	Name Plate	1	
81	958266Z	Internal Wire Ass'y	2	
82	958269Z	Guide Roller Ass'y	1	includ. 90, 91, 92
	958278Z	Roller Ass'y	1	
84	932642	Rivet D2.5 x 2.8	2	
86	981373	Tube (D)	2	
87	938307Z	Pillar Terminal	1	
88	958287	Chip Cover	1	for F.R. Germany, Italy
89	986348	⊕ Hd. Machine Screw M4 x 12	2	w/Spring Lock Washer, Washer, for F.R. Germany, Italy
90	958289	Support	1	
91	958290	Roller (C)	1	
92	962629	Pin	1	

OPTIONAL ACCESSORIES

Item No.	Code No.	Part Name	Q'ty	Remarks
	962101Z	Blade No. 1	1	(10 pcs./pkg.)
	962102Z	Blade No. 2	1	(10 pcs./pkg.)
	962103Z	Blade No. 3	1	(10 pcs./pkg.)
	962104Z	Blade No. 4	1	(10 pcs./pkg.)
	962105Z	Blade No. 5	1	(10 pcs./pkg.)
	962106Z	Blade No. 6	1	(10 pcs./pkg.)
	939597	Grid Saw Blade (A)	1	
	939598	Grid Saw Blade (B)	1	
	939599	Blade for Finishing	1	(2 pcs./pkg.)
	958281	Blade No. 1	1	(5 pcs./pkg.)
	958282	Blade No. 2	1	(5 pcs./pkg.)
	958283	Blade No. 3	1	(5 pcs./pkg.)
	958284	Blade No. 4	1	(5 pcs./pkg.)
	958285	Blade No. 5	1	(5 pcs./pkg.)
	958286	Blade No. 6	1	(5 pcs./pkg.)