

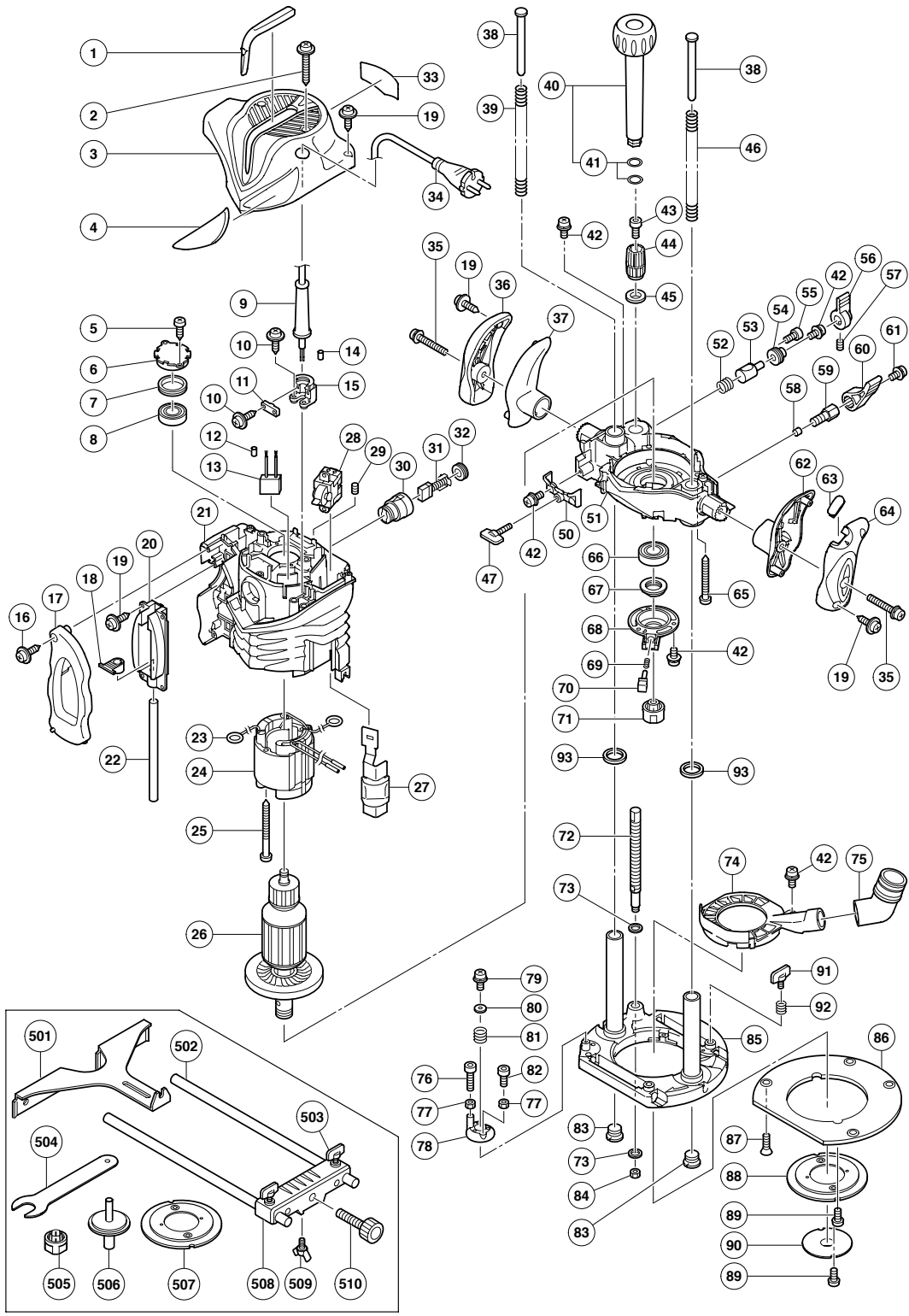
ELECTRIC TOOL PARTS LIST

ROUTER

2006 · 2 · 22

Model M 12SA2

(E1)



PARTS

M 12SA2

ITEM NO.	CODE NO.	DESCRIPTION	NO. USED	REMARKS
1		HITACHI LABEL (B)	1	
2	305-490	TAPPING SCREW (W/FLANGE) D4X30 (BLACK)	2	
3	325-168	HEAD COVER	1	
4		HITACHI LABEL (A)	1	
5	954-017	TAPPING SCREW D4X12	2	
6	325-226	BEARING BUSHING	1	
7	325-184	RUBBER RING	1	
8	620-0VV	BALL BEARING 6200VVCMP2L	1	
* 9	953-327	CORD ARMOR D8.8	1	
* 9	938-051	CORD ARMOR D10.1	1	
10	984-750	TAPPING SCREW (W/FLANGE) D4X16	4	
11	937-631	CORD CLIP	1	
* 12	961-820	TUBE (D)	2	EXCEPT FOR USA, CAN, KUW, SIN, INA, THA, KOR
* 13	930-039	NOISE SUPPRESSOR	1	EXCEPT FOR USA, CAN, KUW, SIN, INA, THA, KOR
* 14	981-373	TUBE (D)	2	
* 14	961-820	TUBE (D)	2	FOR USA, CAN
15	325-203	CORD HOLDER	1	
16	302-086	TAPPING SCREW (W/FLANGE) D4X20 (BLACK)	1	
17	325-170	FRONT COVER (B)	1	
18	325-198	MARKER	1	
19	305-812	TAPPING SCREW (W/FLANGE) D4X16 (BLACK)	10	
20	325-197	POLE HOLDER	1	
21	325-219	HOUSING ASS'Y	1	INCLUD. 29, 30
22	325-196	STOPPER POLE (A)	1	
23	958-032	BRUSH TERMINAL	2	
* 24	340-668C	STATOR ASS'Y 110V-120V	1	INCLUD. 23
* 24	340-668E	STATOR ASS'Y 220V-230V	1	INCLUD. 23 FOR THA, INA, SIN, KOR
* 24	340-668G	STATOR ASS'Y 230V	1	INCLUD. 23
* 24	340-668H	STATOR ASS'Y 240V	1	INCLUD. 23
* 24	340-668F	STATOR ASS'Y 240V	1	INCLUD. 23 FOR KUW
25	961-400	HEX. HD. TAPPING SCREW D5X70	2	
* 26	360-750U	ARMATURE ASS'Y 110V-120V	1	INCLUD. 8, 66
* 26	360-750E	ARMATURE 220V-230V	1	
* 26	360-750F	ARMATURE 240V	1	
27	325-960	LEVER	1	
28	301-821	SWITCH (2P PILLAR TYPE) W/O LOCK	1	
29	938-477	HEX. SOCKET SET SCREW M5X8	2	
30	980-487	BRUSH HOLDER	2	
31	999-044	CARBON BRUSH (1 PAIR)	2	
32	940-540	BRUSH CAP	2	
33		NAME PLATE	1	
* 34	500-234Z	CORD	1	(CORD ARMOR D8.8)
* 34	500-247Z	CORD	1	(CORD ARMOR D10.1) FOR AUT, FIN, DEN, SWE, NOR
* 34	500-461Z	CORD	1	(CORD ARMOR D10.1) FOR GBR (110V)
* 34	500-435Z	CORD	1	(CORD ARMOR D8.8) FOR GBR (230V)
* 34	500-248Z	CORD	1	(CORD ARMOR D10.1) FOR SUI
* 34	500-242Z	CORD	1	(CORD ARMOR D10.1) FOR USA, CAN
* 34	500-439Z	CORD	1	(CORD ARMOR D8.8) FOR AUS, NZL
* 34	500-423Z	CORD	1	(CORD ARMOR D8.8) FOR KUW, SIN
* 34	500-455Z	CORD	1	(CORD ARMOR D10.1) FOR THA
* 34	500-234Z	CORD	1	(CORD ARMOR D8.8) FOR KOR

PARTS

M 12SA2

ITEM NO.	CODE NO.	DESCRIPTION	NO. USED	REMARKS
35	307-443	MACHINE SCREW (W/WASHERS) M6X30 (BLACK)	2	
36	325-220	HANDLE (L) B	1	
37	325-171	HANDLE (L) A	1	
38	325-180	SPRING GUIDE	2	
39	325-177	PLUNGE SPRING (R)	1	
40	325-214	KNOB (B) ASS'Y	1	INCLUD. 41
41	872-654	O-RING (1AP-10)	2	
42	935-196	MACHINE SCREW (W/WASHERS) M4X12 (BLACK)	8	
43	984-509	SEAL LOCK HEX. SOCKET HD. BOLT M5X14	1	
44	325-194	KNOB (C)	1	
45	325-195	GUIDE SLEEVE	1	
46	325-176	PLUNGE SPRING (L)	1	
47	301-801	WING BOLT M6X27	1	
50	325-173	FRONT COVER (C)	1	
51	325-228	END BRACKET	1	
52	325-193	SPRING	1	
53	325-192	SPECIAL NUT TR12	1	
54	325-191	SPECIAL BOLT M20	1	
55	949-811	HEX. SOCKET HD. BOLT M4X8 (10 PCS.)	1	
56	325-190	LEVER (B)	1	
57	985-033	HEX. SOCKET SET SCREW M6X6	1	
58	971-848	LOCK PIECE	1	
59	325-187	LOCK SCREW M10	1	
* 60	326-042	LEVER (A)	1	
* 60	322-601	LEVER (A) W/O STOPPER	1	FOR USA, CAN, THA, KUW, INA, SIN, KOR
61	997-314	MACHINE SCREW (W/WASHERS) M6X10	1	
62	325-172	HANDLE (R) A	1	
63	325-227	DIAL COVER	1	
64	325-221	HANDLE (R) B	1	
65	307-100	TAPPING SCREW D5X50	4	
66	600-4VV	BALL BEARING 6004VVCMP2L	1	
67	325-186	THRUST NUT	1	
68	325-185	BEARING COVER	1	
69	325-183	LOCK SPRING (A)	1	
70	325-182	PUSHING BUTTON	1	
* 71	325-199	COLLET CHUCK 12MM	1	
* 71	323-421	COLLET CHUCK 1/2"	1	FOR GBR, USA, CAN, AUS, NZL
72	325-189	SPECIAL BOLT TR12	1	
73	325-188	WASHER	2	
74	325-210	DUST GUIDE	1	
75	325-215	DUST GUIDE ADAPTER	1	
76	949-662	HEX. SOCKET HD. BOLT M5X25 (10 PCS.)	1	
77	302-012	NUT M5 (BLACK)	2	
78	325-181	STOPPER BLOCK	1	
79	317-200	MACHINE SCREW (W/WASHERS) M4X8 (BLACK)	1	
80	962-569	WASHER (B)	1	
81	971-858	SPRING (A)	1	
82	949-765	HEX. SOCKET HD. BOLT M5X12 (10 PCS.)	1	
83	325-178	STOPPER BOLT	2	
84	949-558	NUT M8 (10 PCS.)	1	
85	325-206	BASE	1	

STANDARD ACCESSORIES

M 12SA2

ITEM NO.	CODE NO.	DESCRIPTION	NO. USED	REMARKS
501	956-797	STRAIGHT GUIDE	1	
502	325-216	GUIDE BAR (A)	2	
503	301-806	WING BOLT M6X15	2	
504	323-295	WRENCH 23MM	1	
* 505	325-212	COLLET CHUCK 8MM	1	
* 505	323-293	COLLET CHUCK 1/4"	1	FOR GBR, USA, CAN, AUS, NZL
* 506	325-213	CENTERING GAUGE	1	
* 506	325-223	CENTERING GAUGE	1	FOR GBR, USA, CAN, AUS, NZL
* 507	325-224	TEMPLATE GUIDE ADAPTER	1	FOR USA, CAN
508	325-217	BAR HOLDER	1	
509	949-394	WING BOLT M6X10 (10 PCS.)	1	
510	956-793	FEED SCREW	1	

OPTIONAL ACCESSORIES

ITEM NO.	CODE NO.	DESCRIPTION	NO. USED	REMARKS
601	956-803	DOUBLE FLUSH TRIMMING BIT (TCT) D12X12	1	
602	956-802	DOUBLE FLUSH TRIMMING BIT (TCT) D8X8	1	
603	956-801	DOUBLE FLUSH TRIMMING BIT (TCT) D6X6	1	
604	956-806	FLUSH TRIMMING BIT (TCT) D12X12	1	
605	956-805	FLUSH TRIMMING BIT (TCT) D8X8	1	
606	956-804	FLUSH TRIMMING BIT (TCT) D6X6	1	
607	312-273	STRAIGHT BIT (TCT) D6X6	1	
608	956-810	STRAIGHT BIT (TCT) D12X12	1	
609	956-809	STRAIGHT BIT (TCT) D12X10	1	
* 610	313-765	STRAIGHT BIT (TCT) D1/2"X1/2"	1	FOR GBR, USA, CAN, AUS, NZL
611	956-813	ROUND OVER BIT (TCT) D12XR8X24	1	
612	956-812	ROUND OVER BIT (TCT) D12XR6X20	1	
613	956-811	ROUND OVER BIT (TCT) D12XR4.5X19	1	
614	956-814	CHAMFERING BIT (TCT) 45° D6X20	1	
615	956-816	DOVETAIL BIT (TCT) D8X15	1	
616	956-815	DOVETAIL BIT (TCT) D6X12	1	
617	956-928Z	CHUCK SLEEVE 1/2"X3/8"	1	
618	956-931Z	CHUCK SLEEVE 1/2"X10"	1	
619	956-759	CHUCK SLEEVE 1/2"X8"	1	
* 620	323-298	TEMPLATE GUIDE D7.9	1	FOR USA, CAN
* 621	303-347	TEMPLATE GUIDE D9.5	1	
* 621	323-299	TEMPLATE GUIDE D9.5	1	FOR USA, CAN
622	303-348	TEMPLATE GUIDE D10	1	
623	303-349	TEMPLATE GUIDE D11.1	1	
624	303-350	TEMPLATE GUIDE D12	1	
* 625	303-351	TEMPLATE GUIDE D12.7	1	
* 625	323-301	TEMPLATE GUIDE D12.7	1	FOR USA, CAN
626	303-352	TEMPLATE GUIDE D14	1	
* 627	323-302	TEMPLATE GUIDE D15.9	1	FOR USA, CAN
628	303-353	TEMPLATE GUIDE D16	1	
629	956-932	TEMPLATE GUIDE D20	1	

