

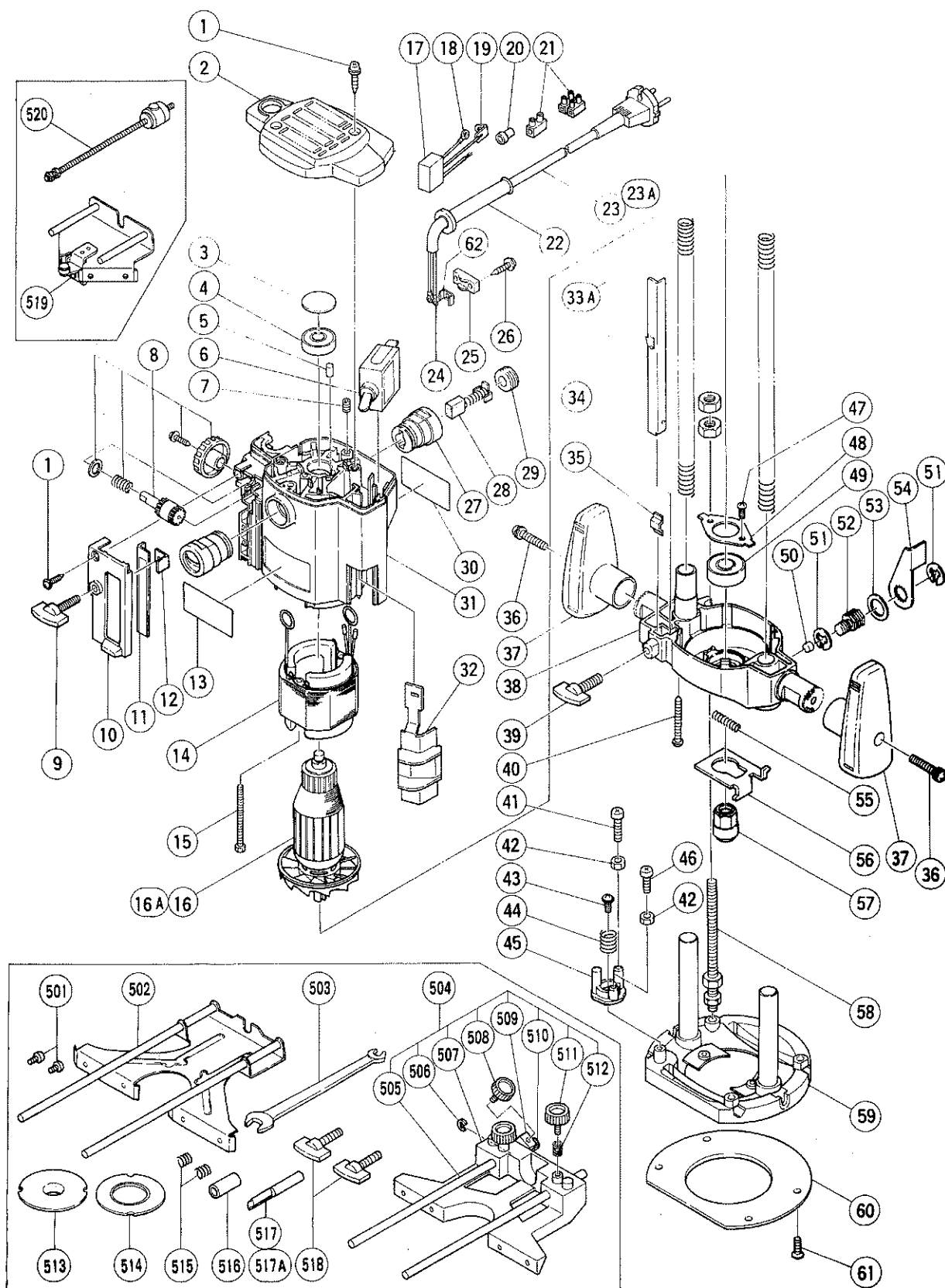
## ELECTRIC TOOL PARTS LIST

■ ROUTER

Model M 8

1993 · 9 · 3

(E4)



## PARTS

M 8

ITEM NO.	CODE NO.	DESCRIPTION	NO. USED	REMARKS
1	301-653	TAPPING SCREW (W/FLANGE) D4X20 (BLACK)	3	
2	302-192	TOP COVER (A)	1	
3	971-835	BEARING SEAL	1	
4	608-VVM	BALL BEARING 608VVMC2EPS2L	1	
5	931-701	BEARING LOCK	1	
6	955-509	SWITCH (1P SOLDER TYPE)	1	
7	938-477	HEX. SOCKET SET SCREW M5X8	2	
8	301-798	KNOB PINION	1	
9	301-801	WING BOLT M6X27	1	
10	302-183	FRONT COVER	1	
* 11	301-824	SCALE (MM)	1	
* 11	301-825	SCALE (INCH)	1	FOR USA,CAN
12	301-800	SCALE STOPPER	1	
13		HITACHI LABEL	1	
* 14	340-191C	STATOR 110V - 115V	1	
* 14	340-191D	STATOR 127V	1	
* 14	340-191E	STATOR 220V - 230V	1	
* 14	340-191F	STATOR 240V	1	
* 14	340-191G	STATOR 220V	1	FOR SWE,AUS,NOR,FIN
* 14	340-191H	STATOR 240V	1	FOR GBR
* 14	340-191J	STATOR 110V	1	FOR GBR
15	960-251	HEX. HD. TAPPING SCREW D5X65	2	
* 16A	360-166U	ARMATURE ASS'Y 110V - 115V	1	INCLUD.4,49
* 16	360-166D	ARMATURE 127V	1	
* 16	360-166E	ARMATURE 220V - 230V	1	
* 16	360-166F	ARMATURE 240V	1	
* 17	994-273	NOISE SUPPRESSOR	1	
* 18	980-063	TERMINAL	1	FOR NOISE SUPPRESSOR
* 19	993-853	EARTH WASHER D5	1	FOR NOISE SUPPRESSOR
20	959-140	CONNECTOR 50091 (10 PCS.)	1	
* 21	938-307Z	PILLAR TERMINAL	1	
* 21	958-308Z	PILLAR TERMINAL (A)	1	FOR FIN,SWE,AUS,NOR,SUI
* 22	953-327	CORD ARMOR D8.8	1	
* 22	938-051	CORD ARMOR D10.1	1	
* 23	500-201Z	CORD	1	(CORD ARMOR D10.1)
* 23	500-234Z	CORD	1	(CORD ARMOR D8.8) FOR ITA,FRG,HOL, DEN,INA
* 23	500-247Z	CORD	1	(CORD ARMOR D10.1) FOR FIN,SWE,AUS, NOR
* 23	500-237Z	CORD	1	(CORD ARMOR D8.8) FOR GBR (110V)
* 23	500-248Z	CORD	1	(CORD ARMOR D10.1) FOR SUI
* 23	500-240Z	CORD	1	(CORD ARMOR D8.8) FOR USA,CAN
* 23	500-245Z	CORD	1	(CORD ARMOR D10.1) FOR SYR,ESP
* 23	500-223Z	CORD	1	(CORD ARMOR D10.1) FOR SIN,KUW
* 23	500-423Z	CORD	1	(CORD ARMOR D8.8) FOR SAU
* 23	500-226Z	CORD	1	(CORD ARMOR D8.8) FOR NZL,FIJ,NGU,AUT
* 23	500-231Z	CORD	1	(CORD ARMOR D8.8) FOR SAF
* 23A	500-435Z	CORD	1	(CORD ARMOR D8.8) FOR GBR (240V)
* 24	992-810	TERMINAL	1	
* 24	980-063	TERMINAL	1	FOR USA,CAN
25	937-631	CORD CLIP	1	

\*: ALTERNATIVE PARTS

**PARTS**

**M 8**

ITEM NO.	CODE NO.	DESCRIPTION	NO. USED	REMARKS	
26	984-750	TAPPING SCREW (W/FLANGE) D4X16	2		
27	981-586	BRUSH HOLDER	2		
28	999-043	CARBON BRUSH (1 PAIR)	2		
29	961-781	BRUSH CAP	2		
30		NAME PLATE	1		
31	302-181	HOUSING ASS'Y	1	INCLUD.7,27	
32	302-184	LEVER	1		
33A	971-853	SPRING	2		
34	302-182	STOPPER POLE	1		
35	301-805	STOPPER PIECE	1		
36	986-274	MACHINE SCREW (W/WASHERS) M5X25	2		
37	301-813	HANDLE	2		
38	302-185	END BRACKET	1		
39	301-806	WING BOLT M6X15	1		
40	931-554	TAPPING SCREW D5X50	4		
41	302-316	MACHINE SCREW M5X25 (BLACK)	1		
42	302-012	NUT M5 (BLACK)	2		
43	997-465	SELF TAPPING SCREW (W/WASHER) D4X12	1		
44	971-858	SPRING (A)	1		
45	302-191	STOPPER BLOCK	1		
46	302-317	MACHINE SCREW M5X16 (BLACK)	1		
47	949-216	MACHINE SCREW M4X10 (10 PCS.)	2		
48	302-188	BEARING COVER	1		
49	620-0VV	BALL BEARING 6200VVCMP52S	1		
50	971-848	LOCK PIECE	1		
51	670-514	RETAINING RING (E – TYPE) FOR D10 SHAFT	2		
52	971-847	LOCK SCREW	1		
53	971-846	WAVE WASHER	1		
54	956-786	LOCK LEVER	1		
55	302-187	SPRING	1		
56	302-186	LOCK PLATE	1		
*	57	302-193	COLLET CHUCK 8MM	1	
*	57	302-194	COLLET CHUCK 6.35MM	1	FOR NZL,AUS,GBR,SUI,USA,CAN,GRE,KUW, NGU,INA,SYR
	58	302-315	SCREW M8	1	
	59	302-189	BASE	1	
	60	302-190	SUB BASE	1	
	61	992-013	SEAL LOCK FLAT HD. SCREW M5X14	4	
*	62	500-326	SPECIAL WASHER	2	FOR GBR

\*: ALTERNATIVE PARTS

**STANDARD ACCESSORIES**

M 8

ITEM NO.	CODE NO.	DESCRIPTION	NO. USED	REMARKS
501	949-234	MACHINE SCREW M5X8 (10 PCS.)	2	
502	971-851	PARALLEL GUIDE	1	
503	971-859	WRENCH 8/13MM	1	
* 504	971-820	STRAIGHT GUIDE (A) ASS'Y	1	INCLUD.505 - 512 FOR FRA,SUI
* 505	971-822	GUIDE BAR	2	FOR FRA,SUI
* 506	942-827	RETAINING RING (E - TYPE) FOR D8 SHAFT	1	FOR FRA,SUI
* 507	971-821	STRAIGHT GUIDE (A)	1	FOR FRA,SUI
* 508	961-516	KNOB BOLT M6X7	1	FOR FRA,SUI
* 509	956-917	SCREW HOLDER	1	FOR FRA,SUI
* 510	971-823	FEED SCREW (A)	1	FOR FRA,SUI
* 511	960-058	KNOB BOLT M6X17	2	FOR FRA,SUI
* 512	947-859	LOCK SPRING	2	FOR FRA,SUI
513	956-790	TEMPLATE GUIDE D18	1	
514	956-756	TEMPLATE GUIDE ADAPTER	1	
515	947-859	LOCK SPRING	2	
* 516	971-852	CHUCK SLEEVE 8X8	1	FOR FRG,FRA,HOL,AUT
* 517	971-878	STRAIGHT BIT (TCT) 1/4"X1/4"	1	DEPENDING ON ORDER SPEC.
* 517A	956-808	STRAIGHT BIT (TCT) D8X8	1	DEPENDING ON ORDER SPEC.
518	301-806	WING BOLT M6X15	2	
519	971-868	TRIMMER GUIDE	1	
520	971-864	FEED SCREW	1	
521	318304		1	Incl. 522 TO 525
522	318350		1	
523	317300		1	
524	956046		1	
525	971858		1	
526	997466		1	Incl. 527, 528
527	997467		2	
528	OPTIONAL ACCESSORIES 949237		2	

ITEM NO.	CODE NO.	DESCRIPTION	NO. USED	REMARKS
601	997-466	DUST COLLECTION ADAPTER SET	1	INCLUD.602,603
602	997-467	KNOB NUT	2	
603	949-237	MACHINE SCREW M5X12 (10 PCS.)	2	
604	303-347	TEMPLATE GUIDE D9.5	1	
605	303-348	TEMPLATE GUIDE D10	1	
606	303-349	TEMPLATE GUIDE D11.1	1	
607	303-350	TEMPLATE GUIDE D12	1	
608	303-351	TEMPLATE GUIDE D12.7	1	
609	303-352	TEMPLATE GUIDE D14	1	
610	303-353	TEMPLATE GUIDE D16	1	
611	303-354	TEMPLATE GUIDE D24	1	
612	303-355	TEMPLATE GUIDE D40	1	
613	302-737	SUB BASE	1	(I.D30, TRANSPARENCY)

\* : ALTERNATIVE PARTS