

Hitachi Power Tools

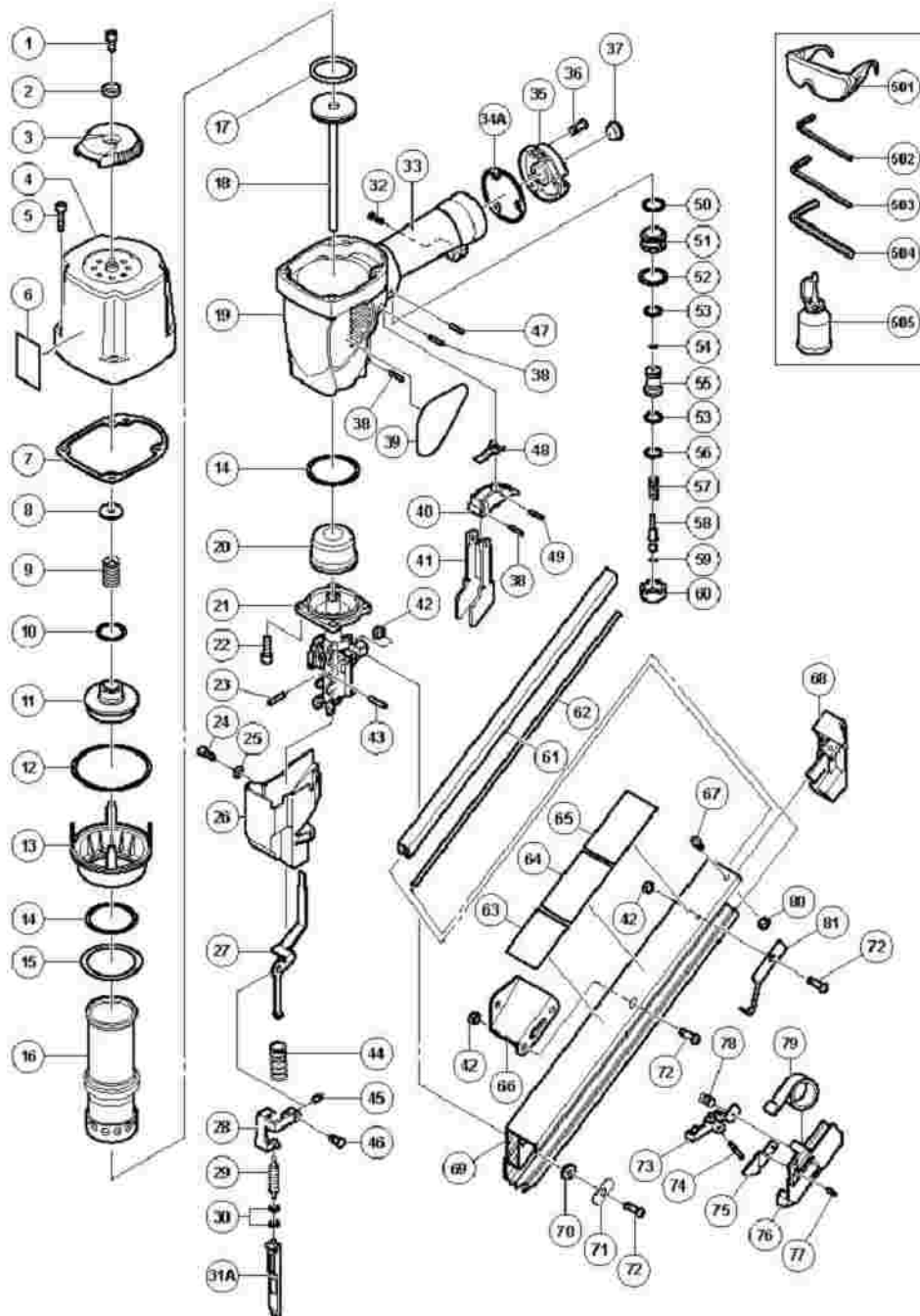
LIST NO. E031

ELECTRIC TOOL PARTS LIST

■ STRIP NAILER
Model NR 50AK

2006·12·1

(E1-2)



NR50AK

Pos. Nr.	Art. Nr.	Beschreibung	Stueck	Kommentar	Beschreibung
1	949-657	INBUSSCHRAUBE M6X12 (10ST)	1		HEX. SOCKET HD. BOLT M6X12 (10 PCS.)
2	880-515	PLATTE NV65AD2	1		PLATE
3	880-514	OBERE ABDECKUNG NV65AD2	1		TOP COVER
4	883-451	Ventildeckel NV75AG	1		EXHAUST COVER
5	949-822	INBUSSCHRAUBE M5X35 (10ST)	4		HEX. SOCKET HD. BOLT M5X35 (10 PCS.)
6	881-128	Warnaufkleber NV50AG2	1		WARNING LABEL
7	883-452	Dichtung (B) NV75AG	1		GASKET (B)
8	882-914	Scheibe NV65AJ	1		HEAD BUMPER
9	882-913	Hauptventilfeder NV65AJ	1		HEAD VALVE SPRING
10	883-992	O-Ring	1		O-RING (I.D 20.8)
11	882-927	Hauptventil (A) NV65AF3	1		HEAD VALVE (A)
12	878-863	O-RING (S-70) NR100A	1		O-RING (S-70)
13	882-910	Zylinderplatte NV65AJ	1		CYLINDER PLATE
14	882-874	O-Ring (S-46) NV65AJ	2		O-RING (S-46)
15	877-368	O-RING (1AP-48) NV83A/NR83A/AA	1		O-RING (1AP-48)
16	883-989	Zylinder NV75AG	1		CYLINDER
17	883-431	O-Ring (I D 37)	1		O-RING (I.D 37)
18	883-471	Kolben (H) NR50AK	1		PISTON (H)
19	885-516	Gehäuse kpl NR50AK	1	INCLUD.33	BODY ASS'Y
20	883-432	Kolbendampfer NV75AG	1		PISTON BUMPER
21	885-509	Nase NR50AK	1		NOSE
22	880-675	Schraube M6x20	4		NYLOCK HIGH TENSION BOLT M6X20
23	949-535	ROLLSTIFT D3X12 (10ST)	1		ROLL PIN D3X12 (10 PCS.)
24	878-614	INBUSSCHRAUBE M4X8 NV32AB	1		NYLOCK HEX. SOCKET HD. BOLT M4X8
25	962-569	SCHEIBE (B) C6DD/VB13Y/VB16Y	1		WASHER (B)
26	885-515	Schutz NR50AK	1		GUARD
27	883-445	Druckhebel (C) NR50AK	1		PUSHING LEVER (C)
					PUSHING LEVER

28	883-444	Druckhebel (B) NR50AK	1		(B)
29	883-470	Feder NR50AK	1		SPRING
30	874-436	O-RING (P-4) CS35B/NR83A	2		O-RING (P-4)
31A	883-635	Druckhebel (A) NR50AK	1		PUSHING LEVER (A)
32	880-474	INBUSSCHRAUBE M6x16 MIT FLANSCH SELBSTSI	1		NYLOCK BOLT (W/FLANGE) M6X16
33			1		GRIP RUBBER
033	000-008D		0	"SUPPLIED WITH ITEM NO.601,602"	
34A	883-309	Dichtung (B) NV90AB2	1		GASKET (B)
35	881-949	Kappe NV75AG	1		CAP
36	949-821	INBUSSCHRAUBE M5X16 (10ST)	3		HEX. SOCKET HD. BOLT M5X16 (10 PCS.)
37	872-035	STAUBSCHUTZKAPPE NV83A/u a	1		DUST CAP
38	949-865	ROLLSTIFT D3X28 (10ST)	3		ROLL PIN D3X28 (10 PCS.)
39			1		NAME PLATE
40	882-894	Drucker NV 65 AJ	1		TRIGGER
41	883-455	Hebelfeder-Führung NR50AK	1		PUSHING LEVER GUIDE
42	963-837	Mutter M6	4		NYLON NUT M6
43	883-438	Anschluss NR50AK	1		PIN
44	883-446	Hebelfeder NR50AK	1		PUSHING LEVER SPRING
45	873-093	O-RING (1AP-3) NV32AB/NV45AB	1		O-RING (1AP-3)
46	883-448	Anschluss (A) NR50AK	1		PIN (A)
47	949-864	ROLLSTIFT D3X22 (10ST)	1		ROLL PIN D3X22 (10 PCS.)
48	883-454	DRUCKERARM NR50AK	1		TRIGGER ARM
49	881-951	Rollstift D2 5x16	1		ROLL PIN D2.5X16
50	877-699	HAUPTVENTIL O-RING (I D 16 8)	1		HEAD VALVE O-RING (I.D 16.8)
51	878-881		1		VALVE BUSHING (B)
52	878-885	O-RING (S-18) CR17Y/NV65AD2	1		O-RING (S-18)
53	878-925	O-RING (I D 8 8) NV65AD2/NV50AG	2		O-RING (I.D 8.8)
54	981-317	O-RING (S-4) NV65AD2	1		O-RING (S-4)

55	880-672	VENTILKOLBEN (B) NV65AD2	1		VALVE PISTON (B)
56	878-887	O-RING (I D 11) NV65AD2/NV50AG	1		O-RING (I.D 11)
57	883-453	Tauchkolbenfeder(B) NR50AK	1		PLUNGER SPRING (B)
58	880-673	TAUCHKOLBEN (A) NV65AD2	1		PLUNGER (A)
59	878-888	O-RING (I D 1 8) NV65AD2/NV50AG	1		O-RING (I.D 1.8)
60	882-920	Ventilhulse (A) NV65AJ	1		VALVE BUSHING (A)
61	885-511	Nagelschiene NR50AK	1		NAIL RAIL
62	885-512	Nagelschiene NR50AK	1		NAIL PLATE
63	878-183	AUFKLEBER WARNUNG DIV NAGLER	1		WARNING LABEL
64	883-466	Warnschild NR50AK	1		WARNING LABEL
65			1		LABEL
66	883-464	Arm NR50AK	1		HANDLE ARM
67	881-772	Schraube M5x16 schwarz NR50AK	1		MACHINE SCREW (W/WASHER) M5X16 (BLACK)
68	885-513	Magazindeckel NR50AK	1		MAGAZINE COVER
69	885-510	Magazin NR50AK	1		MAGAZINE
70	883-434	Magazinring NR50AK	1		MAGAZINE RING
71	883-435	Magazinplatte NR50AK	1		MAGAZINE PLATE
72	878-647	Schraube M6x12	4		HEX. SOCKET HD. BOLT M6X12
73	883-437	Nagelspanner NR50AK	1		FEEDER PLATE
74	883-438	Anschluss NR50AK	1		PIN
75	883-439	Druckhebelstopper NR50AK	1		PUSHING LEVER STOPPER
76	883-436	Nagelspannerabdeckung NR50AK	1		NAIL FEEDER
77	949-776	ROLLSTIFT D3X10 (10ST)	2		ROLL PIN D3X10 (10 PCS.)
78	883-441	Schiebefeder NR83AA2	1		FEEDER SPRING
79	883-440	Ruckzugfeder NR50AK	1		RIBBON SPRING
80	877-371	NYLONMUTTER M5 NV83A/NR83A	1		NYLON NUT M5
81	883-463	Nagelbremsfeder NR50aK	1		NAIL STOPPER
501	875-769	SCHUTZBRILLE	1		SAFETY GLASSES
502	943-277	INBUSSCHLUSSEL D3(M4)	1		HEX. BAR WRENCH 3MM

503	944-458	INBUSSCHLUSSEL D4(M5)	1		HEX. BAR WRENCH 4MM
504	944-459	INBUSSCHLUSSEL D5(M6)	1		HEX. BAR WRENCH 5MM
505	877-153	OLKANNE (30CC) NV83A	1		PNEUMATIC TOOL LUBRICANT (30CC)
601	881-768	GRIFFBAND (A) NV50AE u a ALTE ART NR 88	1		GRIP TAPE (A)
602	880-407	BAND NV50AG u a	2		TAPE