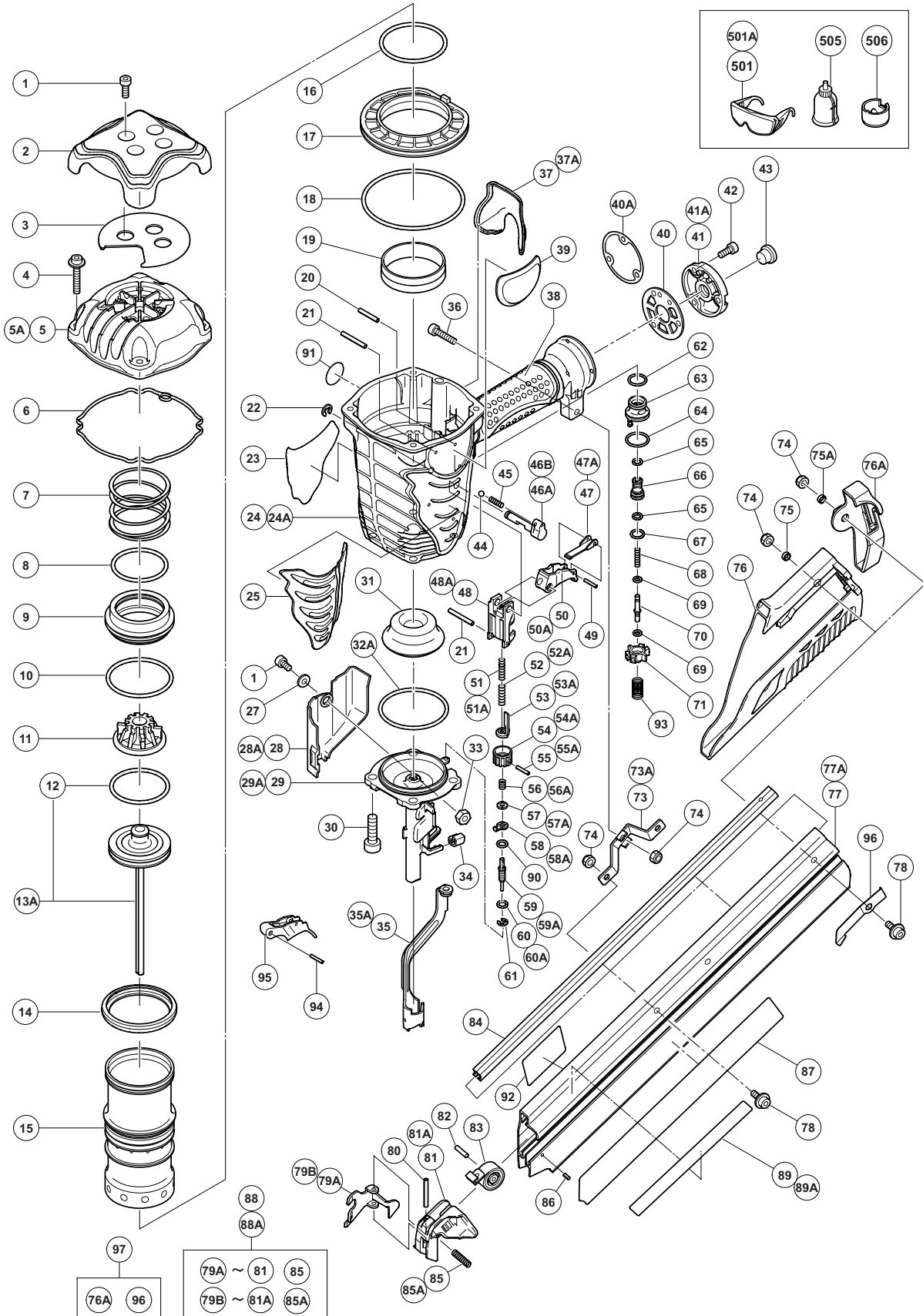


## PNEUMATIC TOOL PARTS LIST

**STRIP NAILER**  
**Model NR 90AD**

**2010·6·15**  
**(E2)**



**PARTS**

NR 90AD

ITEM NO.	CODE NO.	DESCRIPTION	NO. USED	REMARKS
1	949-665	HEX. SOCKET HD. BOLT M5 X 14 (10 PCS.)	5	
2	884-952	HEAD GUARD	1	
3	884-986	SHEET	1	
4	878-877	HEX. SOCKET HD. BOLT (W/FLANGE) M6 X 30	4	
* 5	884-951	EXHAUST COVER	1	
* 5A	886-261	EXHAUST COVER	1	FOR EUROPE, USA, CAN
6	884-953	GASKET (A)	1	
7	884-949	HEAD VALVE SPRING	1	
8	884-947	O-RING (I.D 49.4)	1	
9	884-946	HEAD VALVE	1	
10	884-948	O-RING (I.D 59.4)	1	
11	884-950	EXHAUST VALVE RUBBER	1	
12	884-958	PISTON O-RING	1	
13A	885-917	PISTON ASS'Y	1	INCLUD. 12
14	884-945	VALVE RUBBER	1	
15	884-941	CYLINDER	1	
16	884-942	O-RING (I.D 59.6)	1	
17	884-944	CYLINDER PLATE	1	
18	884-943	O-RING (I.D 94.6)	1	
19	877-317	CYLINDER RING	1	
20	949-539	ROLL PIN D3 X 25 (10 PCS.)	1	
21	884-975	ROLL PIN D3 X 32	2	
22	955-479	RETAINING RING (E-TYPE) FOR D6 SHAFT	1	
23		NAME PLATE	1	
* 24	884-940	BODY ASS'Y	1	INCLUD. 37, 38
* 24A	886-259	BODY ASS'Y	1	INCLUD. 37A, 38 FOR EUROPE, USA, CAN
* 25	884-956	PROTECTOR	1	FOR AUS, NZL
27	876-205	WASHER	1	
* 28	884-976	PUSHING LEVER COVER (A)	1	
* 28A	886-874	PUSH LEVER COVER (A)	1	FOR EUROPE, USA, CAN
* 29	884-961	NOSE	1	
* 29A	886-863	NOSE	1	FOR EUROPE, USA, CAN
30	306-437	NYLOCK HEX. SOCKET HD. BOLT M8 X 30	4	
31	884-959	PISTON BUMPER	1	
32A	884-989	O-RING (I.D 60)	1	
33	877-371	NYLON NUT M5	1	
34	884-985	NOSE RUBBER	2	
* 35	884-970	PUSHING LEVER (A)	1	
* 35A	886-865	PUSHING LEVER (A) ASS'Y	1	FOR EUROPE, USA, CAN
36	949-670	HEX. SOCKET HD. BOLT M6 X 22 (10 PCS.)	1	
* 37	884-987	GRIP RUBBER (B)	1	
* 37A	886-260	GRIP RUBBER (B)	1	FOR EUROPE, USA, CAN
38		GRIP RUBBER (A)	1	SUPPLIED WITH ITEM NO. 601, 602
39		HITACHI LABEL	1	
* 40	883-678	GASKET (B)	1	
* 40A	884-342	GASKET (B)	1	FOR EUROPE, USA, CAN
* 41	884-954	CAP	1	
* 41A	881-949	CAP	1	FOR EUROPE, USA, CAN
42	949-821	HEX. SOCKET HD. BOLT M5 X 16 (10 PCS.)	3	
43	872-035	DUST CAP	1	

**PARTS**

NR 90AD

ITEM NO.	CODE NO.	DESCRIPTION	NO. USED	REMARKS
44	959-155	STEEL BALL D3.97 (10 PCS.)	1	
45	982-454	SPRING (C)	1	
* 46A	885-658	CHANGE KNOB (C)	1	
* 46B	886-265	CHANGE KNOB (C)	1	FOR EUROPE, USA, CAN
* 47	884-988	TRIGGER ARM (C)	1	
* 47A	885-689	TRIGGER ARM (C)	1	FOR EUROPE, USA, CAN
* 48	884-969	PUSHING LEVER GUIDE	1	FOR AUS
* 48	884-995	PUSH LEVER GUIDE (B)	1	FOR NZL
* 48A	886-864	PUSHING LEVER GUIDE	1	FOR EUROPE, USA, CAN
49	881-951	ROLL PIN D2.5 X 16	1	
* 50	884-967	TRIGGER (C)	1	INCLUD. 47, 49
* 50A	885-657	TRIGGER (C) ASS'Y	1	INCLUD. 47A, 49 FOR EUROPE, USA, CAN
* 51	883-302	PUSHING LEVER SPRING (B)	1	
* 51	884-399	PUSHING LEVER SPRING (D)	1	FOR EUROPE
* 51A	886-861	PUSH LEVER SPRING (B)	1	FOR USA, CAN
* 52	883-305	PUSHING LEVER SPRING (A)	1	
* 52	884-398	PUSHING LEVER SPRING (C)	1	FOR EUROPE
* 52A	886-860	PUSH LEVER SPRING (A)	1	FOR USA, CAN
* 53	884-972	PUSHING LEVER (C)	1	
* 53A	886-867	PUSH LEVER (C)	1	FOR EUROPE, USA, CAN
* 54	884-974	ADJUSTER	1	
* 54A	886-872	ADJUSTER	1	FOR EUROPE, USA, CAN
* 55	880-093	ROLL PIN D2 X 16	1	
* 55A	886-873	ROLL PIN D2 X 16	1	FOR EUROPE, USA, CAN
* 56	882-890	ADJUSTER SPRING	1	
* 56A	886-870	ADJUSTER SPRING	1	FOR EUROPE, USA, CAN
* 57	884-973	ADJUSTER PLATE (C)	1	
* 57A	886-869	ADJUSTER PLATE (C)	1	FOR EUROPE, USA, CAN
* 58	882-886	ADJUSTER PLATE (A)	1	
* 58A	886-868	ADJUSTER PLATE (A)	1	FOR EUROPE, USA, CAN
* 59	884-971	PUSHING LEVER (B)	1	
* 59A	886-866	PUSH LEVER (B)	1	FOR EUROPE, USA, CAN
* 60	872-822	O-RING (S-5)	1	
* 60A	886-871	O-RING	1	FOR EUROPE, USA, CAN
61	872-971	RETAINING RING (E-TYPE) FOR D3 SHAFT	1	
62	877-763	FEED PISTON O-RING (I.D. 14)	1	
63	884-963	VALVE BUSHING (B)	1	
64	873-570	O-RING (P-18)	1	
65	676-531	O-RING (P-7)	2	
66	884-964	VALVE PISTON	1	
67	872-654	O-RING (1AP-10)	1	
68	884-966	PLUNGER SPRING	1	
69	878-888	O-RING (I.D. 1.8)	2	
70	884-965	PLUNGER	1	
71	884-962	VALVE BUSHING (A)	1	
* 73	884-984	HANDLE ARM	1	
* 73A	886-877	HANDLE ARM	1	FOR EUROPE, USA, CAN
74	963-837	NYLON NUT M6	4	
* 75	883-499	SLEEVE	1	
* 75A	886-273	SLEEVE	1	FOR EUROPE, USA, CAN





