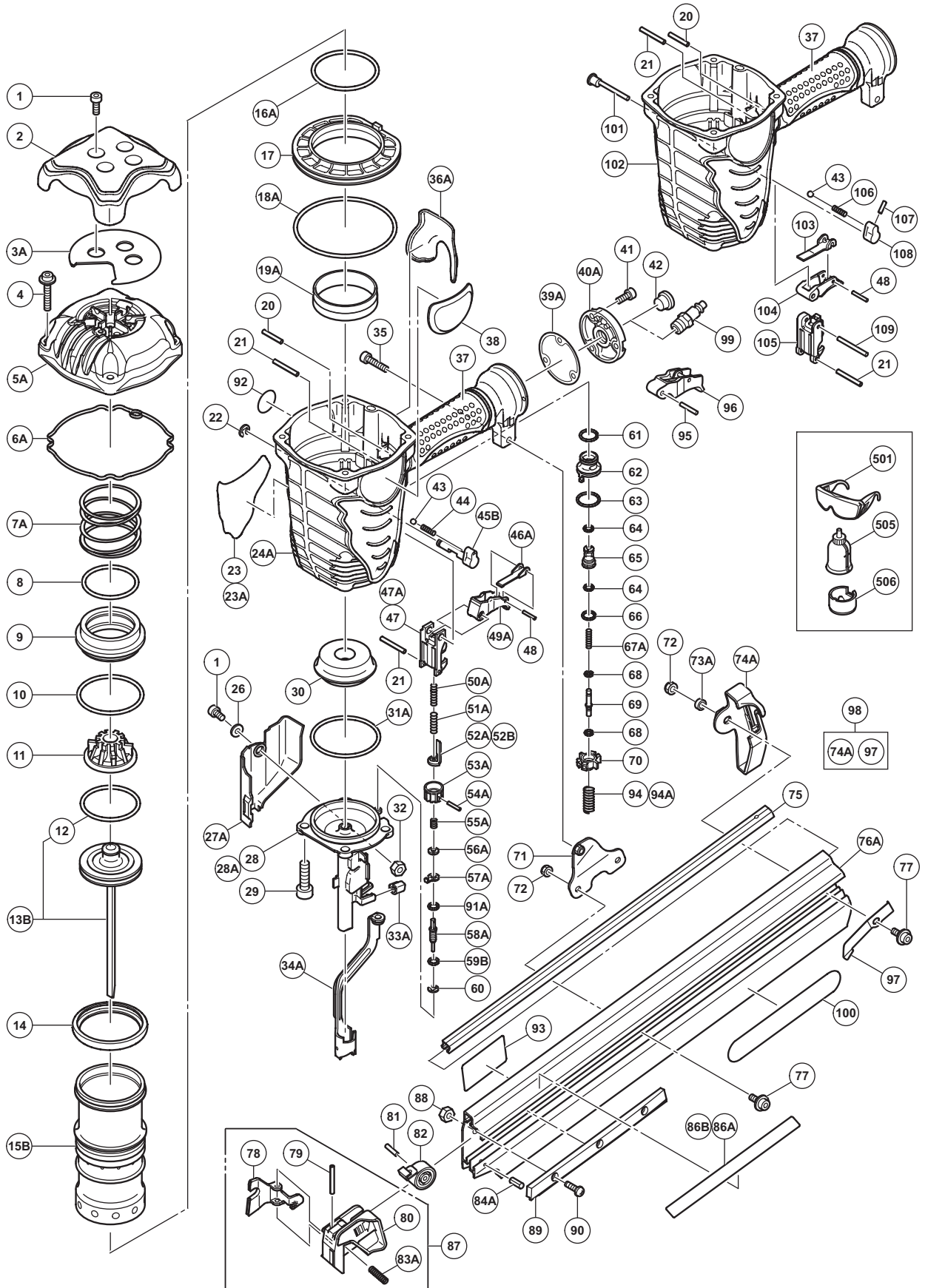


PNEUMATIC TOOL PARTS LIST

STRIP NAILER
Model NR 90AE

2011-2-3
(E4)



PARTS

NR 90AE

ITEM NO.	CODE NO.	DESCRIPTION	NO. USED	REMARKS
1	949-665	HEX. SOCKET HD. BOLT M5 X 14 (10 PCS.)	5	
2	884-952	HEAD GUARD	1	
3A	886-454	SHEET	1	
4	878-877	HEX. SOCKET HD. BOLT (W/FLANGE) M6 X 30	4	
5A	886-261	EXHAUST COVER	1	
6A	886-455	GASKET (A)	1	
7A	886-456	HEAD VALVE SPRING	1	
8	884-947	O-RING (I.D 49.4)	1	
9	884-946	HEAD VALVE	1	
10	884-948	O-RING (I.D 59.4)	1	
11	884-950	EXHAUST VALVE RUBBER	1	
12	884-958	PISTON O-RING	1	
13B	887-491	PISTON ASS'Y	1	INCLUD. 12
14	884-945	VALVE RUBBER	1	
15B	886-457	CYLINDER	1	
16A	886-480	O-RING (I.D 59.6)	1	
17	884-944	CYLINDER PLATE	1	
18A	886-481	O-RING (I.D 94.6)	1	
19A	886-483	CYLINDER RING	1	
20	949-539	ROLL PIN D3 X 25 (10 PCS.)	1	
21	884-975	ROLL PIN D3 X 32	2	
* 22	955-479	RETAINING RING (E-TYPE) FOR D6 SHAFT	1	
* 23		NAME PLATE	1	
* 23A		NAME PLATE	1	FOR MODEL (S)
* 24A	886-259	BODY ASS'Y	1	INCLUD. 36A, 37
26	876-205	WASHER	1	
27A	886-874	PUSH LEVER COVER (A)	1	
* 28	885-521	NOSE	1	
* 28A	887-676	NOSE	1	FOR MODEL (S)
29	306-437	NYLOCK HEX. SOCKET HD. BOLT M8 X 30	4	
30	884-959	PISTON BUMPER	1	
31A	886-482	O-RING (I.D 60)	1	
32	877-371	NYLON NUT M5	1	
33A	886-458	NOSE RUBBER	2	
34A	886-865	PUSHING LEVER (A)	1	
35	949-670	HEX. SOCKET HD. BOLT M6 X 22 (10 PCS.)	1	
36A	886-260	GRIP RUBBER (B)	1	
37		GRIP RUBBER (A)	1	SUPPLIED WITH ITEM NO. 601, 602
38		HITACHI LABEL	1	
39A	884-342	GASKET (B)	1	
40A	881-949	CAP	1	
41	949-821	HEX. SOCKET HD. BOLT M5 X 16 (10 PCS.)	3	
42	872-035	DUST CAP	1	
43	959-155	STEEL BALL D3.97 (10 PCS.)	1	
* 44	982-454	SPRING (C)	1	
* 45B	886-265	CHANGE KNOB (C)	1	
* 46A	885-689	TRIGGER ARM (C)	1	
* 47	884-995	PUSH LEVER GUIDE (B)	1	FOR NORTH EUROPE
* 47A	886-864	PUSHING LEVER GUIDE	1	
48	881-951	ROLL PIN D2.5 X 16	1	

PARTS

NR 90AE

ITEM NO.	CODE NO.	DESCRIPTION	NO. USED	REMARKS
* 49A	885-657	TRIGGER (C) ASS'Y	1	INCLUD. 46A, 48
* 50A	886-861	PUSH LEVER SPRING (B)	1	
* 50A	886-879	PUSH LEVER SPRING (D)	1	FOR EUROPE
* 51A	886-860	PUSH LEVER SPRING (A)	1	
* 51A	886-878	PUSH LEVER SPRING (C)	1	FOR EUROPE
* 52A	886-867	PUSH LEVER (C)	1	
* 52B	887-664	PUSHING LEVER (D)	1	FOR MODEL (S)
53A	886-872	ADJUSTER	1	
54A	886-873	ROLL PIN D2 X 16	1	
55A	886-870	ADJUSTER SPRING	1	
56A	886-869	ADJUSTER PLATE (C)	1	
57A	886-868	ADJUSTER PLATE (A)	1	
58A	886-866	PUSH LEVER (B)	1	
59B	872-822	O-RING (S-5)	1	
60	872-971	RETAINING RING (E-TYPE) FOR D3 SHAFT	1	
61	877-763	FEED PISTON O-RING (I.D. 14)	1	
62	884-963	VALVE BUSHING (B)	1	
63	873-570	O-RING (P-18)	1	
64	676-531	O-RING (P-7)	2	
65	884-964	VALVE PISTON	1	
66	872-654	O-RING (1AP-10)	1	
67A	887-178	PLUNGER SPRING	1	
68	878-888	O-RING (I.D. 1.8)	2	
69	884-965	PLUNGER	1	
70	884-962	VALVE BUSHING (A)	1	
71	885-522	HANDLE ARM	1	
72	963-837	NYLON NUT M6	3	
73A	886-273	SLEEVE	1	
74A	887-031	MAGAZINE COVER	1	
75	885-524	NAIL RAIL	1	
76A	887-030	MAGAZINE	1	
77	984-443	HEX. SOCKET HD. BOLT (W/FLANGE) M6 X 12	3	
78	885-526	NAIL FEEDER (A)	1	
79	949-547	ROLL PIN D4 X 36 (10 PCS.)	1	
80	885-527	NAIL FEEDER (B)	1	
81	943-364	NEEDLE ROLLER D4 X 20	1	
82	883-503	RIBBON SPRING	1	
83A	886-278	FEEDER SPRING	1	
84A	887-619	ROLL PIN D3 X 8	1	
* 86A	887-489	LABEL (C)	1	
* 86B	887-665	LABEL (C)	1	FOR MODEL (S)
87	885-530	NAIL FEEDER ASS'Y	1	INCLUD. 78-80, 83A
88	876-465	NYLON NUT M4	3	
89	885-717	MAGAZINE PLATE	1	
90	951-039	MACHINE SCREW (W/SP. WASHER) M4 X 12	3	
91A	981-317	O-RING (S-4)	1	
* 92	883-513	WARNING LABEL(A)	1	FOR EUROPE
* 93	878-183	WARNING LABEL	1	FOR EUROPE
* 94	884-994	TRIGGER ARM SPRING	1	FOR NORTH EUROPE
* 94A	887-682	TRIGGER ARM SPRING	1	FOR MODEL (S)

