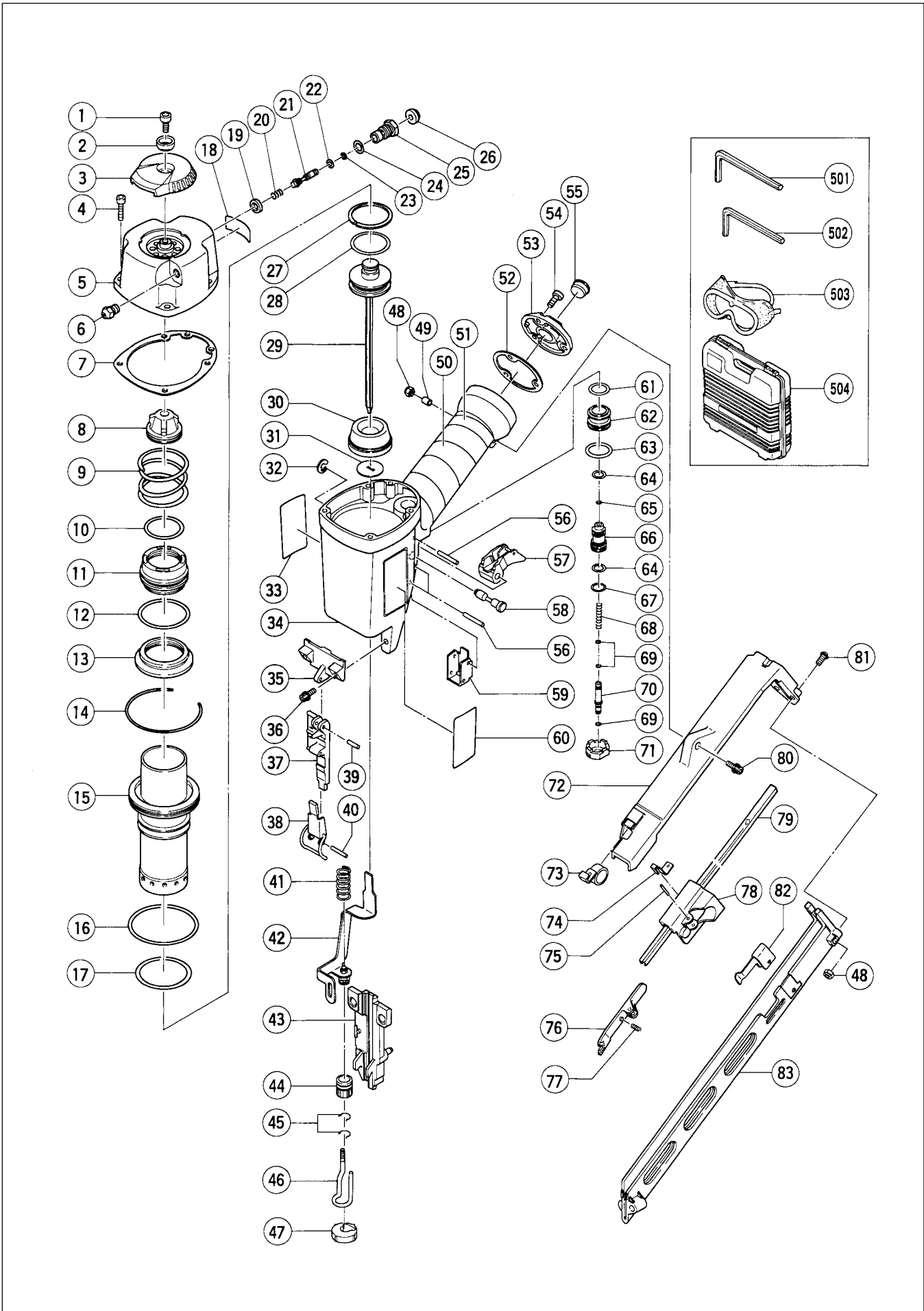
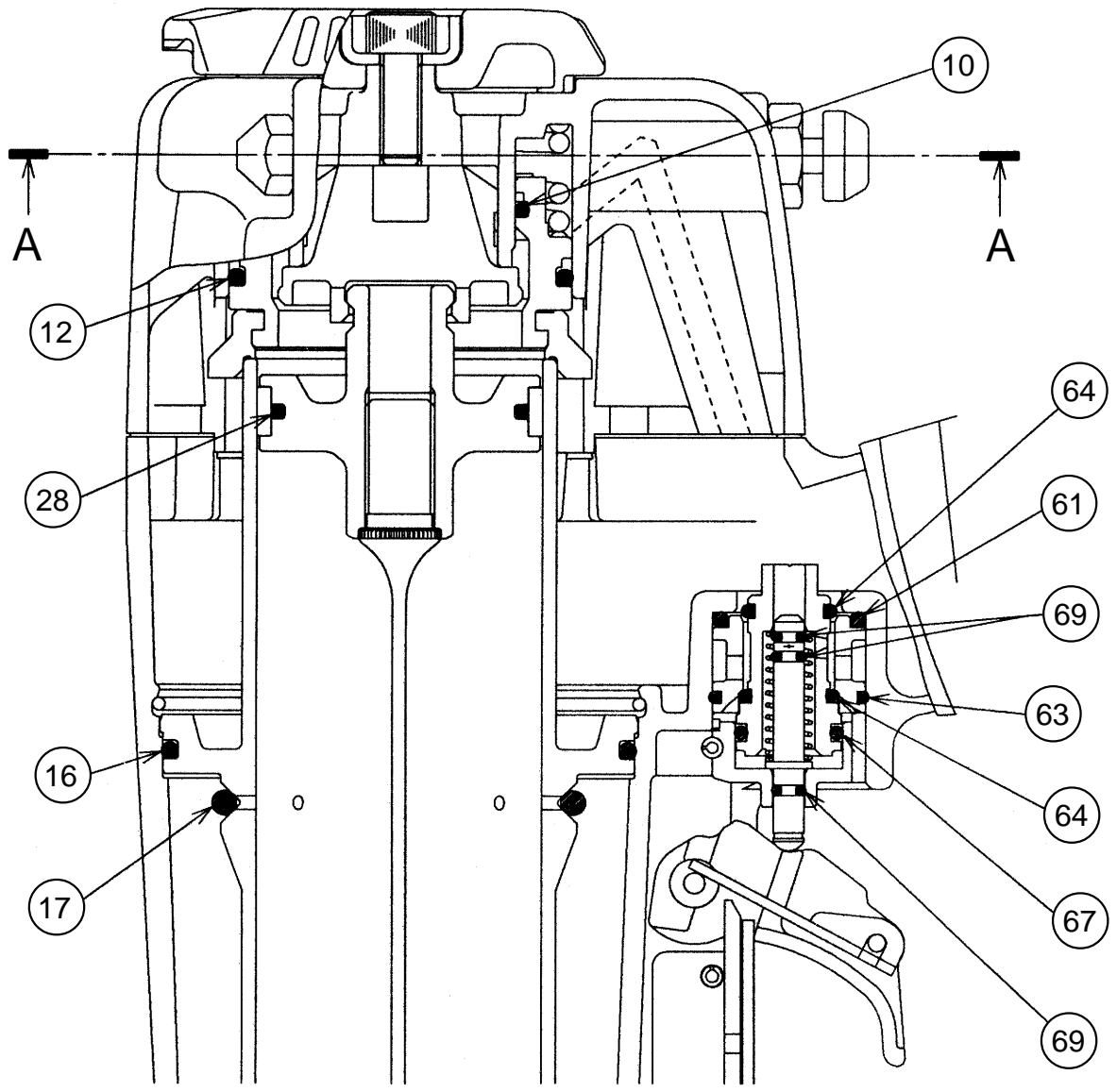


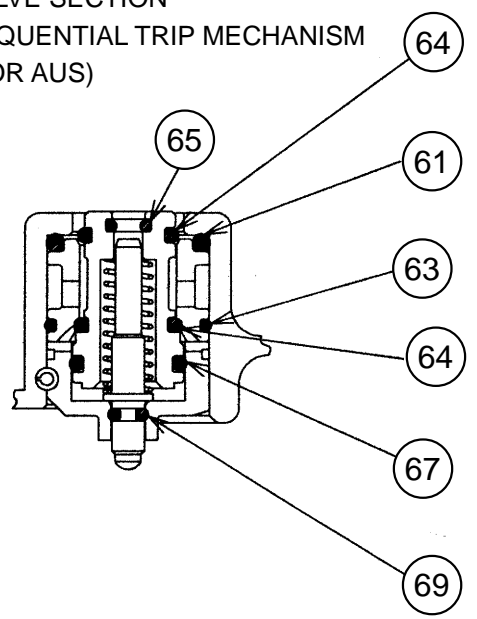
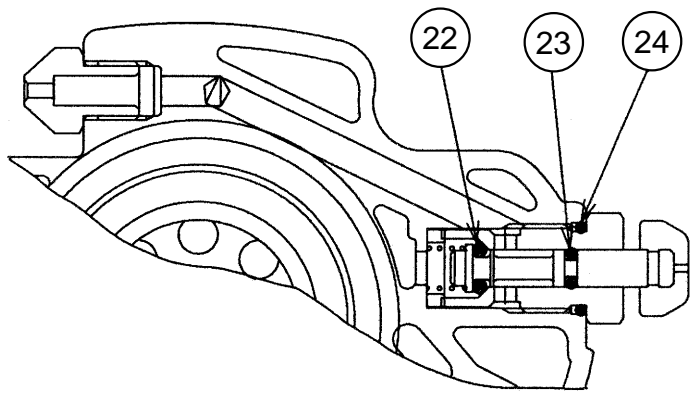
Assembly Diagram for NT 65MA





A - A

VALVE SECTION
SEQUENTIAL TRIP MECHANISM
(FOR AUS)



PARTS

NT 65MA

ITEM NO.	CODE NO.	DESCRIPTION	NO. USED	REMARKS
1	949-755	HEX. SOCKET HD. BOLT M6X16 (10 PCS.)	1	
2	880-515	PLATE	1	
3	880-514	TOP COVER	1	
4	949-757	HEX. SOCKET HD. BOLT M5X20 (10 PCS.)	4	
5	882-940	EXHAUST COVER	1	
6	881-714	NOSE	1	
7	880-358	GASKET	1	
8	881-761	EXHAUST VALVE RUBBER (A)	1	
9	880-356	HEAD VALVE SPRING	1	
10	980-879	O-RING (S-34)	1	
11	880-354	HEAD VALVE	1	
12	878-714	CYLINDER O-RING (C) I.D 44.7	1	
13	881-760	HEAD VALVE RUBBER (A)	1	
14	880-669	RETAINING RING	1	
15	881-759	CYLINDER	1	
16	877-312	CYLINDER O-RING (I.D 63.1)	1	
17	878-716	O-RING (P-46)	1	
18		CAUTION PLATE	1	
19	881-711	VALVE PACKING	1	
20	881-900	SPRING	1	
21	881-712	PLUNGER	1	
22	873-093	O-RING (1AP-3)	1	
23	881-715	O-RING (S3)	1	
24	987-105	O-RING (S-10)	1	
25	881-710	VALVE BUSHING	1	
26	881-713	KNOB	1	
27	881-740	PISTON RING	1	
28	880-311	O-RING (I.D 34.2)	1	
29	881-763	PISTON	1	
30	881-741	PISTON BUMPER	1	
31	881-756	BUMPER SHEET	1	
32	955-479	RETAINING RING (E-TYPE) FOR D6 SHAFT	1	
33	878-184	WARNING LABEL	1	
34	881-757	BODY ASS'Y	1	INCLUD.50,51
35	881-764	GUIDE PLATE (B)	1	
36	949-661	HEX. SOCKET HD. BOLT M6X30 (10 PCS.)	2	
37	881-743	GUIDE PLATE (A)	1	
38	881-747	LOCK LEVER	1	
39	949-770	ROLL PIN D4X14 (10 PCS.)	1	
40	949-685	ROLL PIN D3X20 (10 PCS.)	1	
41	877-894	HOLDER SPRING	1	
42	881-749	PUSHING LEVER (B)	1	
43	881-742	BLADE GUIDE	1	
44	881-748	ADJUSTER	1	
45	881-765	RATCHET SPRING	2	
46	881-750	PUSHING LEVER (A)	1	
47	881-751	NOSE CAP (A)	1	
48	877-371	NYLON NUT M5	3	
49	881-774	SLEEVE	1	
50	881-768	GRIP TAPE (A)	1	
51	880-407	TAPE	2	

PARTS

NT 65MA

ITEM NO.	CODE NO.	DESCRIPTION	NO. USED	REMARKS	
52	881-769	GASKET (B)	1		
53	881-758	CAP (A)	1		
54	949-821	HEX. SOCKET HD. BOLT M5X16 (10 PCS.)	3		
55	872-035	DUST CAP	1		
56	949-865	ROLL PIN D3X28 (10 PCS.)	3		
* 57	880-674	TRIGGER (A)	1	FOR USA	
* 57	881-779	TRIGGER (A)	1	FOR AUS	
58	881-771	TRIGGER PIN	1		
59	880-361	PUSHING LEVER GUIDE	1		
60		NAME PLATE	1		
61	877-699	HEAD VALVE O-RING (I.D 16.8)	1		
62	881-777	VALVE BUSHING (B)	1		
63	878-885	O-RING (S-18)	1		
64	878-925	O-RING (I.D 8.8)	2		
* 65	981-317	O-RING (S-4)	1	FOR AUS	
* 66	878-922	VALVE PISTON	1	FOR USA	
* 66	880-672	VALVE PISTON (B)	1	FOR AUS	
67	878-887	O-RING (I.D 11)	1		
68	878-884	PLUNGER SPRING	1		
* 69	878-888	O-RING (I.D 1.8)	3	FOR USA	
* 69	878-888	O-RING (I.D 1.8)	1	FOR AUS	
* 70	881-770	PLUNGER	1	FOR USA	
* 70	881-778	PLUNGER (B)	1	FOR AUS	
71	880-671	VALVE BUSHING (A)	1		
72	881-752	MAGAZINE COVER	1		
73	881-755	RIBBON SPRING	1		
74	881-745	FEEDER PLATE	1		
75	881-767	ROLL PIN D2.5X20 (STAINLESS)	1		
76	881-746	NAIL FEEDER (A)	1		
77	880-321	PUSHING SPRING	1		
78	881-744	NAIL FEEDER (B)	1		
79	881-753	NAIL RAIL	1		
80	881-773	HEX. SOCKET HD. BOLT (W/FLANGE) M5X20	1		
81	881-772	MACHINE SCREW (W/WASHER) M5X16 (BLACK)	2		
82	881-766	NAIL STOPPER	1		
83	881-754	MAGAZINE	1		

STANDARD ACCESSORIES

NT 65MA

ITEM NO.	CODE NO.	DESCRIPTION	NO. USED	REMARKS
501	944-459	HEX. BAR WRENCH 5MM	1	
502	944-458	HEX. BAR WRENCH 4MM	1	
503	875-769	EYE PROTECTOR	1	
504	881-775	CASE	1	

OPTIONAL ACCESSORIES

ITEM NO.	CODE NO.	DESCRIPTION	NO. USED	REMARKS
* 601	880-414	SEQUENTIAL TRIP MECHNISM KIT	1	INCLUD.602-608 FOR USA
* 602	881-779	TRIGGER (A)	1	FOR USA
* 603	881-771	TRIGGER PIN	1	FOR USA
* 604	881-778	PLUNGER (B)	1	FOR USA
* 605	878-888	O-RING (I.D 1.8)	1	FOR USA
* 606	880-671	VALVE BUSHING (A)	1	FOR USA
* 607	880-672	VALVE PISTON (B)	1	FOR USA
* 608	981-317	O-RING (S-4)	1	FOR USA