

Hitachi Power Tools

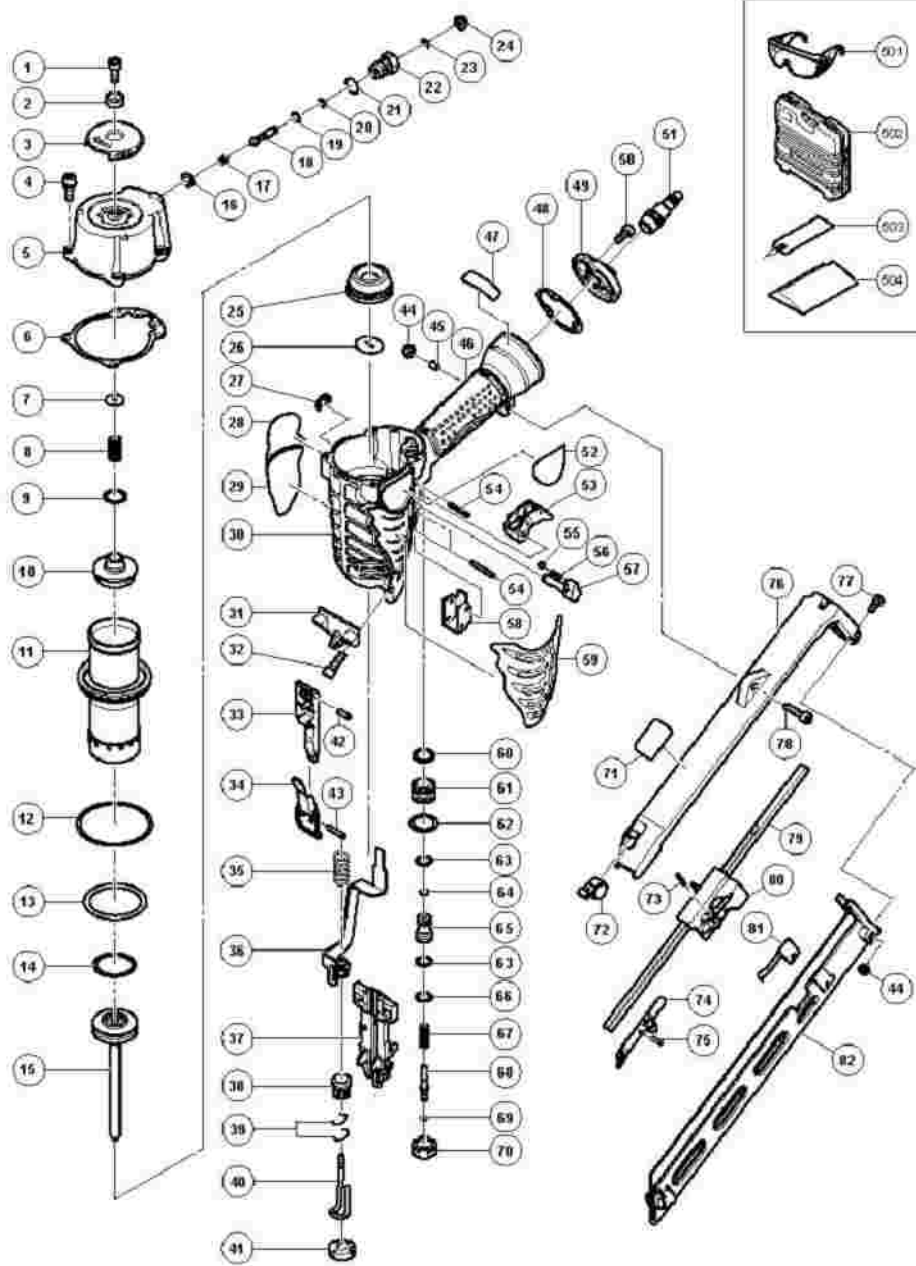
LIST NO. E036

ELECTRIC TOOL PARTS LIST

■ FINISH NAILER
Model NT 65MA3

2006·9·12

(E1)



NT65MA3

Pos. Nr.	Art. Nr.	Beschreibung	Stueck	Kommentar	Beschreibung
1	949-657	INBUSSCHRAUBE M6X12 (10ST)	1		HEX. SOCKET HD. BOLT M6X12 (10 PCS.)
2	880-515	PLATTE NV65AD2	1		PLATE
3	885-673		1		TOP COVER
4	885-637		4		HEX. SOCKET HD. BOLT (W/SP.WASHER) M5X25
5	885-964		1		EXHAUST COVER
6	885-965		1		GASKET
7	882-914		1		HEAD BUMPER
8	882-913		1		HEAD VALVE SPRING
9	883-992		1		O-RING (I.D 20.8)
10	882-927		1		HEAD VALVE (A)
11	884-329		1		CYLINDER
12	884-339		1		CYLINDER O-RING (I.D 63.1)
13	878-716	O-RING (P-46) H90SC/SE	1		O-RING (P-46)
14	882-685		1		O-RING (I.D 34.7)
15	884-330		1		PISTON
16	884-338		1		VALVE PACKING
17	881-900		1		SPRING
18	884-333		1		PLUNGER
19	873-093	O-RING (1AP-3) NV32AB/NV45AB	1		O-RING (1AP-3)
20	881-715		1		O-RING (S3)
21	987-105	O-RING (S-10) D6SH	1		O-RING (S-10)
22	882-701		1		VALVE BUSHING
23	968-643	SICHERUNGSRING D4 (E-TYPE)	1		RETAINING RING (E- TYPE) FOR D4 SHAFT
24	884-334		1		KNOB
25	881-741		1		PISTON BUMPER
26	881-756		1		BUMPER SHEET
27	955-479	SICHERUNGSRING (E-TYP) D6	1		RETAINING RING (E- TYPE) FOR D6 SHAFT
28			1		NAME PLATE
29			1		NAME PLATE (B)
30	885-963		1	INCLUD.46	BODY ASS'Y
31	881-764		1		GUIDE PLATE (B)

32	949-661		2		HEX. SOCKET HD. BOLT M6X30 (10 PCS.)
33	881-743		1		GUIDE PLATE (A)
34	884-323		1		LOCK LEVER
35	877-894	HALTEFEDER N5008AA	1		HOLDER SPRING
36	884-326		1		PUSHING LEVER (B)
37	881-742		1		BLADE GUIDE
38	884-325		1		ADJUSTER
39	881-765		2		RATCHET SPRING
40	884-324		1		PUSHING LEVER (A)
41	881-751		1		NOSE CAP (A)
42	949-770	ROLLSTIFT D4X14 (10ST)	1		ROLL PIN D4X14 (10 PCS.)
43	949-685	SPANNSTIFT D3X20 (10ST) NV90AF	1		ROLL PIN D3X20 (10 PCS.)
44	877-371	NYLONMUTTER M5 NV83A/NR83A	3		NYLON NUT M5
45	881-774		1		SLEEVE
46			1		GRIP RUBBER
046	000-008D		0	"SUPPLIED WITH ITEM NO.607,608"	
47			1		CAUTION PLATE
48	884-342		1		GASKET (B)
49	885-959		1		CAP (A)
50	949-821	INBUSSCHRAUBE M5X16 (10ST)	3		HEX. SOCKET HD. BOLT M5X16 (10 PCS.)
51			1		AIR PLUG NPT 1/4
52			1		HITACHI LABEL
53	884-145		1		TRIGGER (A)
54	949-865	ROLLSTIFT D3X28 (10ST)	3		ROLL PIN D3X28 (10 PCS.)
55	959-155	STAHLKUGELN D3.97 (10ST)	1		STEEL BALL D3.97 (10 PCS.)
56	982-454	FEDER (C) CJ65VA2/V2/CR10V u.a.	1		SPRING (C)
57	884-335		1		CHANGE KNOB
58	884-336		1		PUSHING LEVER GUIDE
59	885-675		1		PROTECTOR
60	877-699	HAUPTVENTIL O- RING (I.D.16.8.)	1		HEAD VALVE O-RING (I.D 16.8)

61	878-881	VENTILHÜLSE (B) NV65AD/AD2	1		VALVE BUSHING (B)
62	878-885	O-RING (S-18) CR17Y/NV65AD2	1		O-RING (S-18)
63	878-925	O-RING (I.D 8.8) NV65AD2/NV50AG	2		O-RING (I.D 8.8)
64	981-317	O-RING (S-4) NV65AD2	1		O-RING (S-4)
65	884-143		1		VALVE PISTON (B)
66	878-887	O-RING (I.D.11) NV65AD2/NV50AG	1		O-RING (I.D 11)
67	884-966		1		PLUNGER SPRING
68	884-144		1		PLUNGER (A)
69	878-888	O-RING (I.D.1.8) NV65AD2/NV50AG	1		O-RING (I.D 1.8)
70	884-341		1		VALVE BUSHING (A)
71			1		LABEL
72	881-755		1		RIBBON SPRING
73	881-767		1		ROLL PIN D2.5X20 (STAINLESS)
74	881-746		1		NAIL FEEDER (A)
75	880-321	DRUCKFEDER 500DC	1		PUSHING SPRING
76	881-752		1		MAGAZINE COVER
77	885-997		2		MACHINE SCREW M5X15 (BLACK)
78	881-773		1		HEX. SOCKET HD. BOLT (W/FLANGE) M5X20
79	884-327		1		NAIL RAIL
80	881-744		1		NAIL FEEDER (B)
81	881-766		1		NAIL STOPPER
82	885-962		1		MAGAZINE
501	875-769	SCHUTZBRILLE	1		SAFETY GLASSES
502	884-340		1		CASE
503	884-337		1	"FOR USA,CAN"	CAUTION TAG
504	885-244		1	"FOR USA,CAN"	LEAFLET
601	884-320		1	INCLUD.602-606	FULL SEQUENTIAL ACTUATION MECHANISM KIT
602	884-321		1		TRIGGER (A)
603	881-778		1		PLUNGER (B)
604	878-888	O-RING (I.D.1.8) NV65AD2/NV50AG	1		O-RING (I.D 1.8)
		VENTILKOLBEN (B)			

605	880-672	NV65AD2	1	VALVE PISTON (B)
606	884-322		1	TRIGGER PIN
607	881-768	GRIFFBAND (A) NV50AE u.a.	1	GRIP TAPE (A)
608	880-407	BAND NV50AG u.a.	2	TAPE