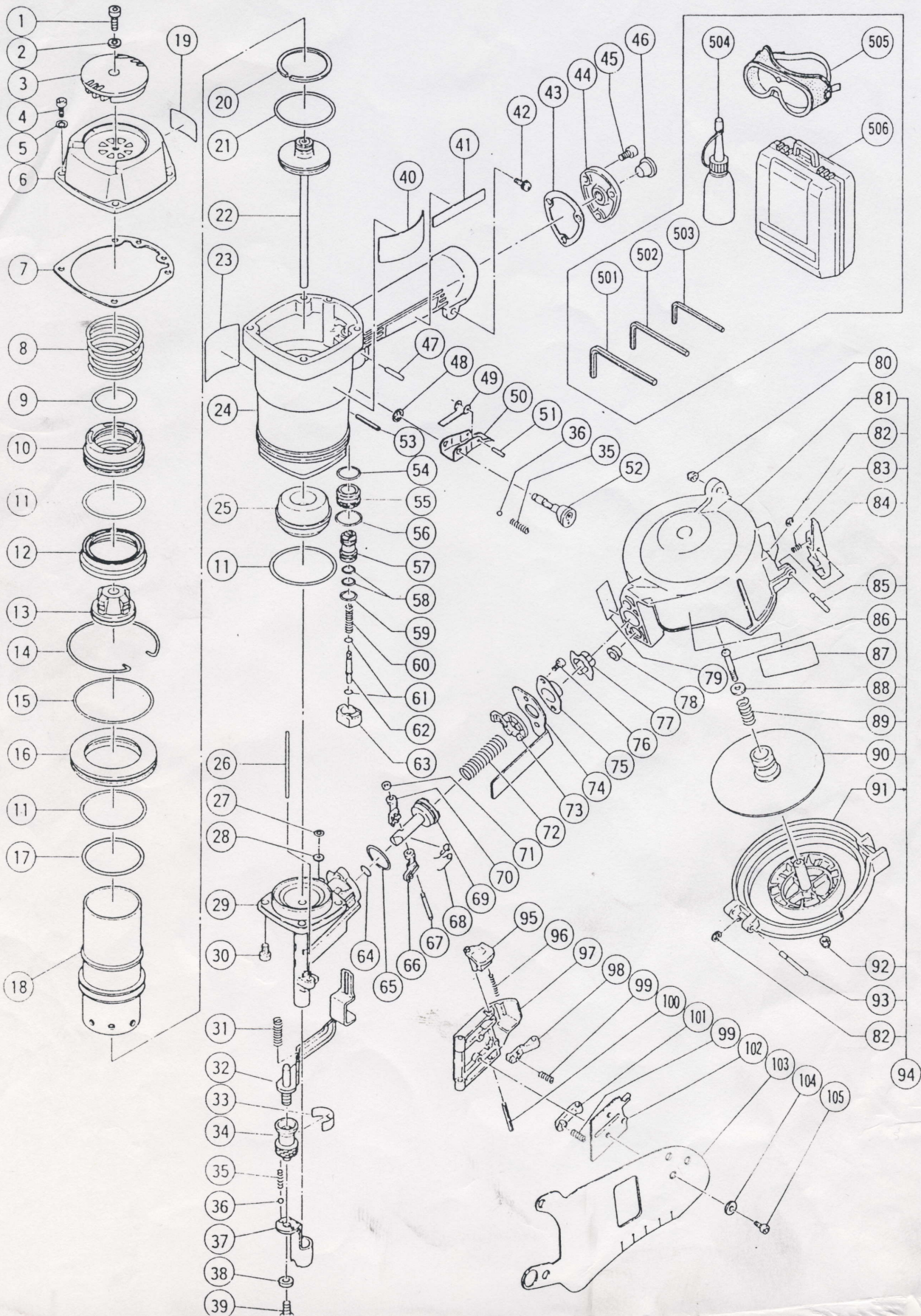


PNEUMATIC TOOL PARTS LIST**COIL NAILER**
Model NV 65AD1991 · 3 · 10
(E1)

202-11-34A 880092 ADJUSTER 1 SINCE 5.1992 NV 65AD

ITEM NO.	CODE NO.	DESCRIPTION	NO. USED	REMARKS
1	949-821	HEX. SOCKET HD. BOLT M5X16 (10 PCS.)	1	
2	949-455	SPRING WASHER M6 (10 PCS.)	1	
3	878-914	TOP COVER	1	
4	949-652	HEX. SOCKET HD. BOLT M6X25 (10 PCS.)	4	
5	949-455	SPRING WASHER M6 (10 PCS.)	4	
6	880-085	EXHAUST COVER	1	
7	878-919	PACKING (B)	1	
8	878-912	SPRING	1	
9	878-913	O - RING (I.D 38.5)	1	
10	878-911	HEAD VALVE	1	
11	878-372	O - RING (I.D 52.8/W2.4)	3	
12	878-918	HEAD VALVE RUBBER	1	
13	878-915	EXHAUST VALVE RUBBER	1	
14	878-962	RETAINING RING	1	
15	874-104	CYLINDER O - RING (I.D 68.3)	1	
16	878-958	CYLINDER PLATE	1	
17	878-961	O - RING	1	
18	878-963	CYLINDER	1	
19	878-499	CAUTION PLATE	1	
20	878-931	PISTON RING	1	880-768
21	878-932	O - RING (I.D 39.7)	1	
22	880-083	PISTON (H)	1	880-768
23		CAUTION PLATE	1	FÖR EUROPE
24	880-084	BODY	1	
25	878-933	PISTON DAMPER	1	
26	878-936	NAIL GUIDE SHAFT	1	
27	874-436	O - RING (P - 4)	1	
28	878-964	WASHER	1	
29	880-087	TAIL COVER	1	
30	878-969	SEAL LOCK HEX. SOCKET HD. BOLT M6X25	4	
31	878-178	SPRING	1	
32	878-945 880091	PUSHING LEVER ASS'Y 880091	1	INCLUD. 34A, 107
33		LABEL (D)	1	
34	880-082	ADJUSTER	1	TILL 4.1992
35	982-454	SPRING (C)	3	
36	959-155	STEEL BALL D3.97 (10 PCS.)	3	
37	878-968	PUSHING LEVER (A)	1	
38	880-081	WASHER	1	
39	949-657	HEX. SOCKET HD. BOLT M6X12 (10 PCS.)	1	
40		NAME PLATE	1	
41	957-561	HITACHI LABEL	1	
42	986-274	MACHINE SCREW (W/WASHERS) M5X25	1	
43	877-331	PACKING (D)	2	
44	877-367Z	CAP	1	
45	949-658	HEX. SOCKET HD. BOLT M5X18 (10 PCS.)	2	
46	872-035	DUST CAP	1	
47	949-864	ROLL PIN D3X22 (10 PCS.)	1	
48	955-479	RETAINING RING (E - TYPE) FOR D6 SHAFT	1	
49	878-928	TRIGGER ARM	1	
50	878-927	TRIGGER	1	
51	878-965	ROLL PIN D2.5X16	1	

*: ALTERNATIVE PARTS

03 - 91

01-4-2-31 880080 SAFETY SPRING 1 FÖR USA

PARTS

NV 65AD

ITEM NO.	CODE NO.	DESCRIPTION	NO. USED	REMARKS		
*	52	880-086	CHANGE KNOB (B)	1		
	53	949-866	ROLL PIN D3X30 (10 PCS.)	1		
	54	877-699	HEAD VALVE O - RING	2		
	55	878-881	VALVE BUSHING (B)	1		
	56	878-885	O - RING (S - 18)	2		
	57	878-922	VALVE PISTON	1		
	58	878-925	O - RING (I.D 8.8)	2		
	59	878-887	O - RING (I.D 11)	2		
	60	878-884	PLUNGER SPRING	1		
	61	878-888	O - RING (I.D 1.8)	2		
	62	878-923	PLUNGER	1		
	63	878-880	VALVE BUSHING (A)	1		
	64	872-645	O - RING (P - 9)	1		
	65	876-796	O - RING (P - 22)	1		
	66	878-948 880070	NAIL FEEDER (B)	1		輸105
	67	878-947	FEEDER SHAFT	1		
	68	878-934	MAIN FEEDER SPRING	1		
	69	878-944	FEED PISTON	1		
	70	878-948	NAIL FEEDER (A)	1		輸105-
	71	877-826	FEEDER SHAFT RING	1		
	72	877-144 878343	FEED SPRING	1		輸105
	73	878-943	SHIFT LEVER	1		
*	74	880-088	NAIL GUARD	1	FÖR EUROPE	輸201
	75	877-713	FEED PISTON COVER	1		
	76	949-819	HEX. SOCKET HD. BOLT M5X10 (10 PCS.)	2		
	77	877-479	MAGAZINE BUSHING	1		
	78	877-360	MAGAZINE BUSHING	1		
	79		LABEL	1		
	80	877-371	NYLON NUT M5	1		
	81	878-950	MAGAZINE	1		輸105-
	82	872-971	RETAINING RING (E - TYPE) FOR D3 SHAFT	2		
	83	877-149	STOPPER SPRING	1		
	84	877-151	MAGAZINE STOPPER 880146	1		
	85	878-951	STOPPER PIN	1		
	86	949-228	MACHINE SCREW M4X40 (10 PCS.)	1		
	87		CAUTION PLATE	1		
	88	875-246	WASHER	1		
	89	877-894	HOLDER SPRING	1		
	90	878-350	NAIL HOLDER	1		
	91	878-960	MAGAZINE COVER	1		
	92	876-465	NYLON NUT M4	1		
	93	878-953	HINGE PIN	1		
	94	878-949	MAGAZINE ASS'Y	1	INCLUD.81 - 86,88 - 93	
	95	878-103 880145	GUIDE LOCK	1		106-18
	96	878-308	SPRING	1		
	97	878-937	NAIL GUIDE	1		
	98	878-938	MAIN NAIL STOPPER	1		
	99	878-940	SUB STOPPER SPRING	2		
	100	949-900	ROLL PIN D3X14 (10 PCS.)	1		
	101	878-939	SUB NAIL STOPPER	1		
	102	878-941	NAIL GUIDE COVER	1		

