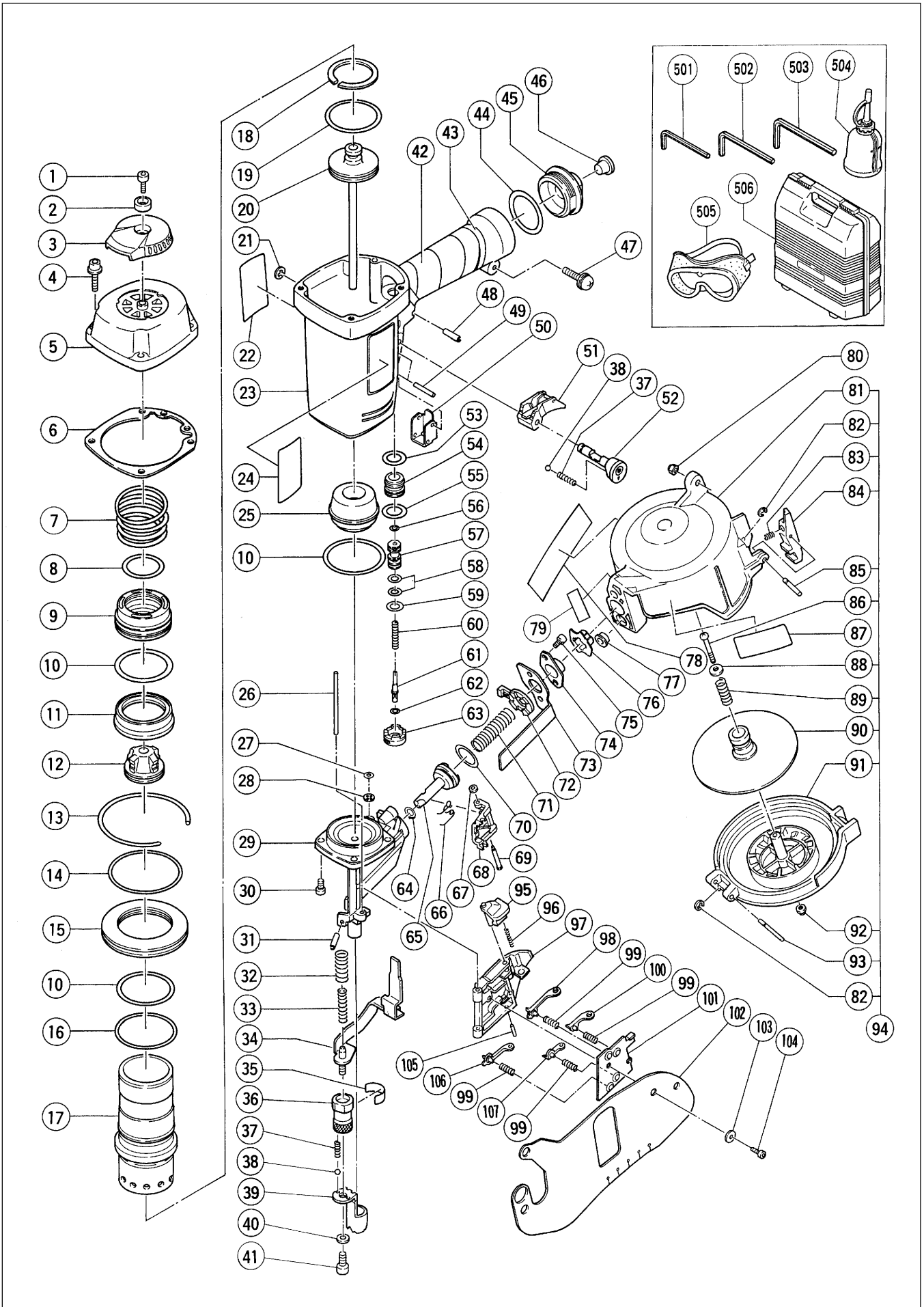
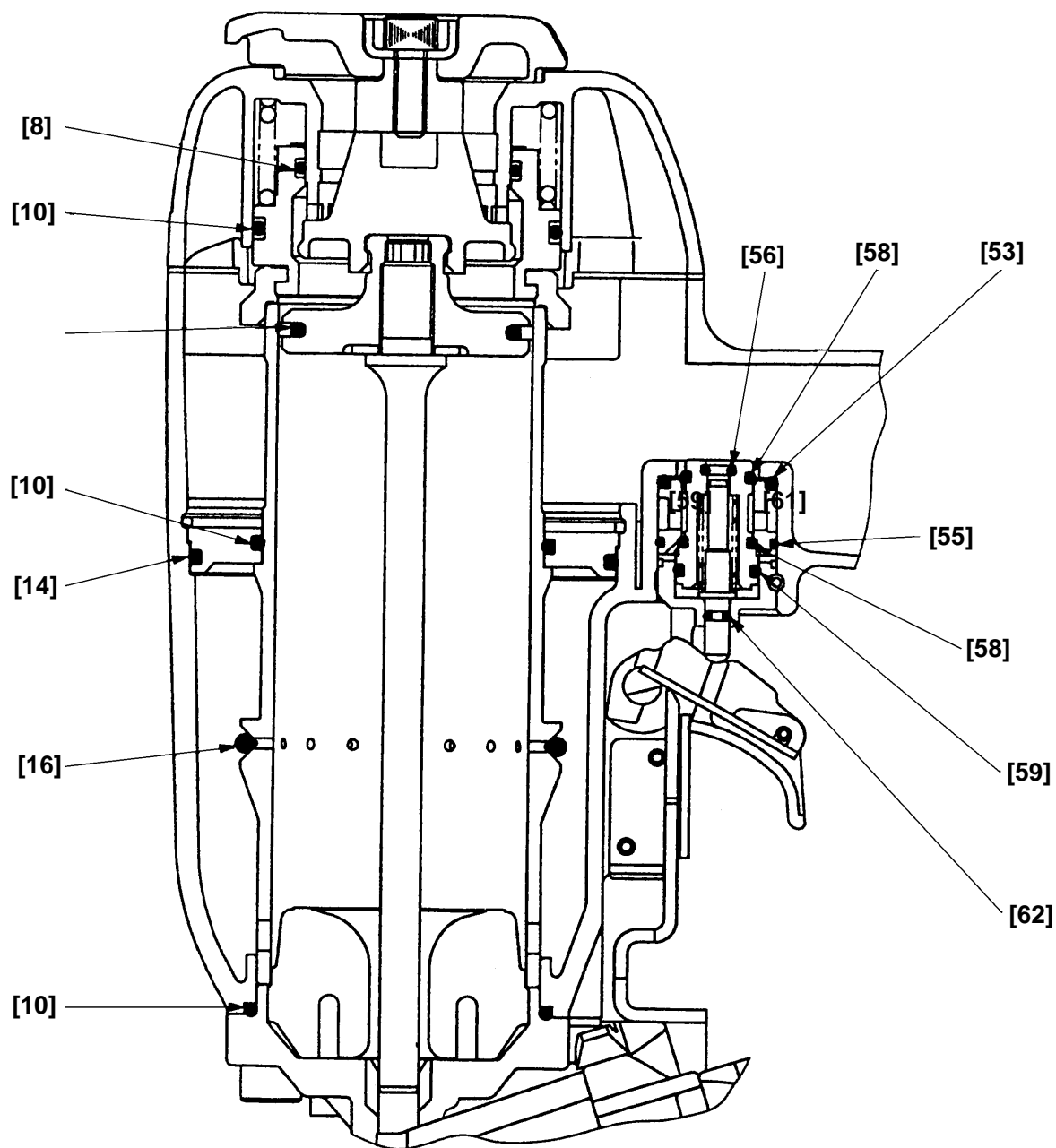


Assembly Diagram for NV 65AD3





PARTS

NV 65AD3

ITEM No.	CODE NO.	DESCRIPTION	NO. USED	REMARKS
1	949-755	HEX. SOCKET HD. BOLT M6X16 (10 PCS.)	1	
2	880-515	PLATE	1	
3	880-514	TOP COVER	1	
4	878-854	HEX. SOCKET HD. BOLT (W/FLANGE) M6X25	4	
* 5	880-736	EXHAUST COVER	1	
* 5	882-160	EXHAUST COVER	1	FOR H/K
6	878-919	GASKET (B)	1	
7	878-912	SPRING	1	
8	878-913	O-RING (I.D 38.5)	1	
9	878-911	HEAD VALVE	1	
10	878-372	O-RING (I.D 52.6)	3	
11	878-918	HEAD VALVE RUBBER	1	
12	878-915	EXHAUST VALVE RUBBER	1	
13	880-513	RETAINING RING	1	
14	874-104	CYLINDER O-RING (I.D 68.3)	1	
15	880-512	CYLINDER PLATE	1	
16	878-961	O-RING	1	
17	880-735	CYLINDER	1	
18	878-931	PISTON RING	1	
19	878-932	O-RING (I.D 39.7)	1	
20	880-768	PISTON (H)	1	
21	955-479	RETAINING RING (E-TYPE) FOR D6 SHAFT	1	
* 22	878-184	WARNING LABEL	1	EXCEPT FOR H/K
* 23	880-510	BODY ASS'Y	1	INCLUD.42,43
* 23	882-161	BODY ASS'Y	1	INCLUD.42,43 FOR H/K
* 24		NAME PLATE	1	EXCEPT FOR H/K
25	878-933	PISTON BUMPER	1	
26	878-936	NAIL GUIDE SHAFT	1	
27	874-436	O-RING (P-4)	1	
28	878-964	WASHER	1	
29	880-770	NOSE	1	
30	993-040	NYLOCK HIGH TENSION BOLT M7X25	4	
31	949-685	ROLL PIN D3X20 (10 PCS.)	1	
32	880-772	SPRING (A)	1	
33	880-773	SPRING (B)	1	
34	880-771	PUSHING LEVER (B)	1	
35		LABEL(D)	1	
36	880-082	ADJUSTER	1	
37	982-454	SPRING (C)	3	
38	959-155	STEEL BALL D3.97 (10 PCS.)	3	
39	880-764	PUSHING LEVER (A)	1	
40	880-081	WASHER	1	
41	949-657	HEX. SOCKET HD. BOLT M6X12 (10 PCS.)	1	
42	881-768	GRIP TAPE (A)	1	
43	880-407	TAPE	2	
44	880-183	O-RING (I.D 37.2)	1	
* 45	880-379	CAP	1	
* 45	882-162	CAP	1	FOR H/K
46	872-035	DUST CAP	1	
47	880-734	MACHINE SCREW (W/WASHERS) M5X25 (BLACK)	1	
48	949-864	ROLL PIN D3X22 (10 PCS.)	1	

PARTS

NV 65AD3

ITEM No.	CODE NO.	DESCRIPTION	NO. USED	REMARKS
49	949-865	ROLL PIN D3X28 (10 PCS.)	2	
50	880-361	PUSHING LEVER GUIDE	1	
51	880-674	TRIGGER (A)	1	
52	880-086	CHANGE KNOB (B)	1	
53	877-699	HEAD VALVE O-RING (I.D 16.8)	1	
54	878-881	VALVE BUSHING (B)	1	
55	878-885	O-RING (S-18)	1	
56	981-317	O-RING (S-4)	1	
57	880-672	VALVE PISTON (B)	1	
58	878-925	O-RING (I.D 8.8)	2	
59	878-887	O-RING (I.D 11)	1	
60	878-884	PLUNGER SPRING	1	
61	880-673	PLUNGER (A)	1	
62	878-888	O-RING (I.D 1.8)	1	
63	880-671	VALVE BUSHING (A)	1	
64	872-645	O-RING (P-9)	1	
65	878-944	FEED PISTON	1	
66	878-934	MAIN FEEDER SPRING	1	
67	877-826	FEEDER SHAFT RING	1	
68	880-090	NAIL FEEDER	1	
69	878-947	FEEDER SHAFT	1	
70	876-796	O-RING (P-22)	1	
71	878-343	FEED SPRING	1	
72	878-943	SHIFT LEVER	1	
73	880-088	NAIL GUARD	1	
74	877-713	FEED PISTON COVER	1	
75	949-819	HEX. SOCKET HD. BOLT M5X10 (10 PCS.)	2	
76	877-479	MAGAZINE BUSHING	1	
77	877-360	MAGAZINE BUSHING	1	
* 78	880-476	WARNING LABEL	1	EXCEPT FOR H/K
79		LABEL	1	
80	877-371	NYLON NUT M5	1	
81	878-950	MAGAZINE	1	
82	872-971	RETAINING RING (E-TYPE) FOR D3 SHAFT	2	
83	877-149	STOPPER SPRING	1	
84	880-146	MAGAZINE STOPPER	1	
85	877-150	STOPPER PIN	1	
86	949-228	MACHINE SCREW M4X40 (10 PCS.)	1	
87		CAUTION PLATE	1	
88	875-246	WASHER	1	
89	877-894	HOLDER SPRING	1	
90	878-350	NAIL HOLDER	1	
91	878-960	MAGAZINE COVER	1	
92	876-465	NYLON NUT M4	1	
93	877-152	HINGE PIN	1	
94	878-949	MAGAZINE ASS'Y	1	INCLUD.81-86,88-93
95	880-495	GUIDE LOCK	1	
96	880-446	SPRING	1	
97	882-150	NAIL GUIDE	1	
98	882-151	MAIN NAIL STOPPER (A)	1	
99	882-157	STOPPER SPRING	4	

* : ALTERNATIVE PARTS

