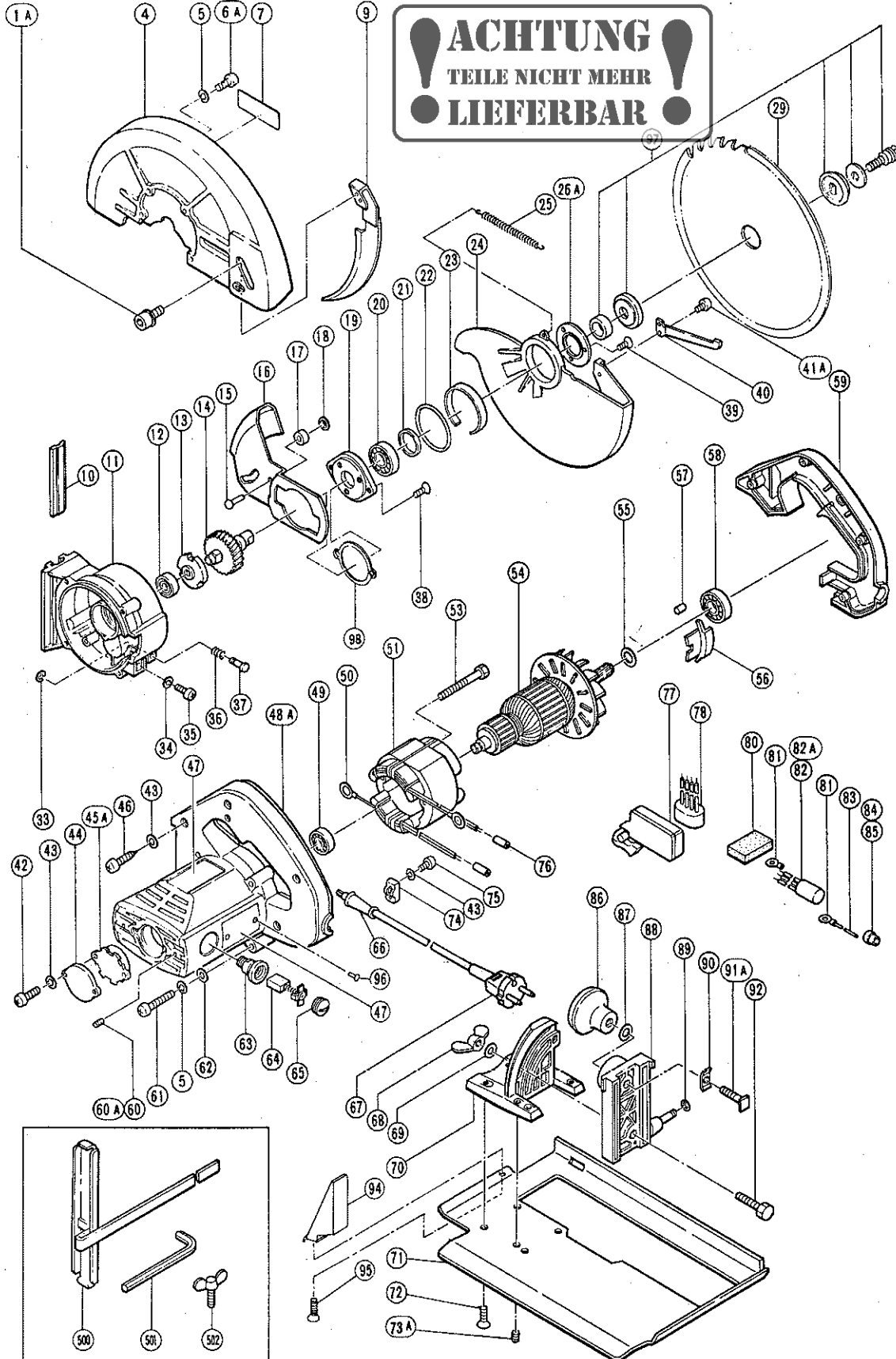


ELECTRIC TOOL PARTS LIST

■ CIRCULAR SAW
Model PSM-8

1987·11·30
PSM-8(E4)



PARTS

PSM-8(E4)

Item No.	Code No.	Part Name	Q'ty	Remarks
1A	—	Bolt	2	See alternative parts
4	961850Z	Saw Cover	1	
5	949454	Spring Lock Washer	8	for M5 (10 pcs.)
6A	949239	Machine Screw M5 x 16	4	(10 pcs.)
7	957561	HITACHI Label	1	
9	—	Riving Knife	1	See alternative parts
10	961834Z	Liner (B)	1	
11	961828Z	Inner Cover	1	
12	939291	Ball Bearing (608VVC2)	1	
13	961804Z	Lock Plate	1	
14	961805Z	Spindle Gear	1	
15	961836Z	Rivet D6	1	
16	—	Sub Cover	1	See alternative parts
17	961840Z	Cushion	1	
18	961837Z	Push Nut	1	
19	940867	Bearing Holder	1	
20	877027	Ball Bearing (6003VVCM)	1	
21	958063	Washer	1	
22	958406Z	Thrust Washer	2	
23	961807Z	Bushing	1	
24	—	Safety Cover	1	See alternative parts
25	961852Z	Return Spring	1	
26A	961806Z	Bearing Cap	1	
29	—	Saw Blade 210 mm	1	See alternative parts
33	673489	E-Type Retaining Ring	1	for D5 shaft
34	949453	Spring Lock Washer	1	for M4 (10 pcs.)
35	—	Machine Screw M4 x 8	1	See alternative parts
36	961803	Spring	1	
37	961802Z	Lock Pin	1	
38	949331	Flat Hd. Screw M5 x 10	2	(10 pcs.)
39	949322	Flat Hd. Screw M4 x 10	3	(10 pcs.)
40	961818Z	Knob	1	
41A	949216	Machine Screw M4 x 10	1	(10 pcs.)
42	956384	Tapping Screw D4 x 20	2	
43	949423	Washer	8	for M4 (10 pcs.)
44	961839Z	Cover Plate	1	
45A	961443	Bearing Bushing	1	
46	958705	Tapping Screw D4 x 25	4	
47	—	Name Plate	1	
48	—	Housing Ass'y	1	See alternative parts
49	939220	Ball Bearing (6200VVCM)	1	
50	958032	Brush Terminal	2	
51	—	Stator Ass'y	1	See alternative parts
53	953174	Hexagon Hd. Tapping Screw D5 x 55	2	
54	—	Armature	1	See alternative parts
55	930163	Distance Washer	1	
56	961800Z	Fan Guide	1	
57	946362	Bearing Lock	1	
58	939494	Ball Bearing (6202VVCM)	1	
59	961811Z	Handle Cover	1	
60	949368	Slotted Hd. Set Screw M4 x 10	2	till 10, 1985 (10 pcs.)
60A	938477	Hexagon Socket Hd. Set Screw M5 x 8	2	since 11, 1985
61	949249	Machine Screw M5 x 45	4	(10 pcs.)

PARTS

PSM-8(E4)

Item No.	Code No.	Part Name	Q'ty	Remarks
62	949424	Washer	4	for M5 (10 pcs.)
63	—	Brush Holder	2	See alternative parts
64	—	Carbon Brush	2	See alternative parts
65	—	Brush Cap	2	See alternative parts
66	—	Cord Armor	1	See alternative parts
67	—	Cord	1	See alternative parts
68	—	Wing Nut	1	See alternative parts
69	949433	Bolt Washer	1	for M8 (10 pcs.)
70	961814Z	Angle Mount	1	
71	—	Base	1	See alternative parts
72	949332	Flat Hd. Screw M5 x 12	4	(10 pcs.)
73A	961796	Hexagon Socket Hd. Set Screw M5 x 10	1	Seal Lock Screw (10 pcs.)
74	960266	Cord Clip	1	
75	954004	Tapping Screw D4 x 16	2	
76	—	Tube (D)	2	See alternative parts
77	961810Z	Double Pole Switch (Pillar Type)	1	
78	—	Choke Coil	1	See alternative parts
80	—	Support	1	See alternative parts
81	—	Terminal	2	See alternative parts
82	—	Noise Suppressor	1	See alternative parts
83	—	Internal Wire	1	See alternative parts
84	—	Connector (50092)	2	See alternative parts
85	—	Connector (50091)	1~5	See alternative parts
86	961815Z	Knob	1	
87	949434	Bolt Washer	1	for M10 (10 pcs.)
88	961813Z	Slide Mount	1	
89	968643	E-Type Retaining Ring	1	for D4 Shaft
90	961833Z	Liner (A)	1	till 8, 1987
91A	961812Z	Special Bolt M10	1	
92	949628	Bolt M8 x 30	1	(10 pcs.)
94	—	Guard Plate (A)	1	See alternative parts
95	—	Flat Hd. Screw M5 x 10	1	See alternative parts
96	—	Rivet D2.5 x 3.2	2	See alternative parts
97	—	Washer (A) (B) Set	1	See alternative parts
98	—	Thrust Washer	1	See alternative parts

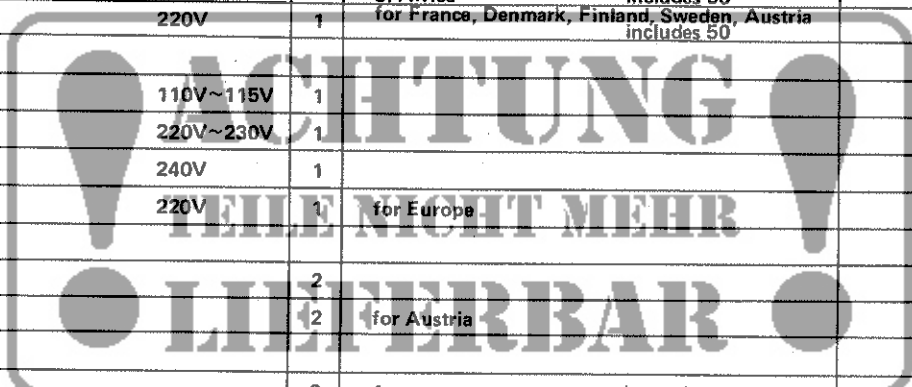
ALTERNATIVE PARTS

Item No.	Code No.	Part Name	Q'ty	Remarks
1A	961795	Hexagon Socket Hd. Bolt M8 x 12	2	w/Flange for Europe
	961794	Bolt M8 x 14	2	w/Flange for Switzerland, France
9	961855Z	Riving Knife	1	for Europe
16	961861	Sub Cover	1	for N.Z.
	961857Z	Sub Cover	1	
	961858Z	Sub Cover	1	for U.S.A., Canada
24	961853Z	Safety Cover	1	for Europe
	961854Z	Safety Cover	1	

ALTERNATIVE PARTS

PSM-8(E4)

Item No.	Code No.	Part Name	Q'ty	Remarks
29	958074Z	Combination Saw Blade 210 mm	1	bore size 35 mm
	958075Z	Combination Saw Blade 210 mm	1	bore size 20 mm
	958073Z	Combination Saw Blade 210 mm	1	bore size 30 mm
	961860	Combination Saw Blade 210 mm	1	bore size 16 mm
	958081Z	Carbide-Tipped Saw Blade 210 mm	1	bore size 30 mm
35	949215	Machine Screw M4 x 8	1	for U.S.A. (10 pcs.)
48A	961821Z	Housing Ass'y	1	includes 60A, 63
	961822Z	Housing Ass'y	1	for Austria includes 60A, 63
	961823P	Housing Ass'y	1	for U.S.A. includes 60A, 63
	961859Z	Housing Ass'y	1	for Canada includes 60A, 63
51	961835C	Stator Ass'y 110V~115V	1	includes 50
	961835E	Stator Ass'y 220V~230V	1	includes 50
	961835F	Stator Ass'y 240V	1	includes 50
	961835G	Stator Ass'y 230V	1	for N.Z. includes 50
	961835K	Stator Ass'y 220V~230V	1	for F.R. Germany, Italy, Switzerland, Netherlands, S. Africa includes 50
	961835L	Stator Ass'y 220V	1	for France, Denmark, Finland, Sweden, Austria includes 50
54	961819C	Armature 110V~115V	1	
	961819E	Armature 220V~230V	1	
	961819F	Armature 240V	1	
	961819M	Armature 220V	1	for Europe
63	980487	Brush Holder	2	
	937948Z	Brush Holder	2	for Austria
64	937943Z	Carbon Brush	2	Auto stop type (2 pcs.)
	999044	Carbon Brush	2	(2 pcs.)
65	940540	Brush Cap	2	
	937949	Brush Cap	2	for Austria
66	940778	Cord Armor D10.7	1	
	958049Z	Cord Armor D8.2	1	
67	500242Z	Cord 115V	1	for Canada (Cord Armor D10.7)
	500201Z	Cord 220V~240V	1	(Cord Armor D10.7)
	500214Z	Cord 110V~127V	1	(Cord Armor D10.7)
	500223Z	Cord 230V~240V	1	for Kuwait (Cord Armor D10.7)
	500226Z	Cord 240V	1	for Australia (Cord Armor D8.2)
	500234Z	Cord 110V~240V	1	(Cord Armor D8.2)
	500236Z	Cord 230V	1	for N.Z. (Cord Armor D8.2)
	500237Z	Cord 230V	1	for S. Africa (Cord Armor D8.2)
	500245Z	Cord 220V	1	(Cord Armor D8.2)
	500247Z	Cord 220V	1	for Netherlands, Denmark, Finland, Sweden (Cord Armor D10.7)
	500248Z	Cord 220V	1	for Switzerland (Cord Armor D10.7)
	500400Z	Cord 115V	1	for U.S.A. (Cord Armor D10.7)
68	949312	Wing Nut	1	(10 pcs.)
	961843Z	Knob	1	for Switzerland, France



ALTERNATIVE PARTS

PSM-8(E4)

Item No.	Code No.	Part Name	Q'ty	Remarks
71	961851Z	Base	1	
	961856Z	Base	1	for U.S.A., Canada
	961862	Base	1	for N.Z.
76	961820	Tube (D)	2	
78	961863	Choka Coil	1	for N.Z.
80	963243	Support	1	
81	961419Z	Terminal	2	
	938108	Terminal	1	
82	994211	Noise Suppressor	1	
	994306	Noise Suppressor	1	for Switzerland
	500258Z	Noise Suppressor	1	for N.Z.
82A	930030	Noise Suppressor	1	for Italy, France, F.R. Germany, Netherlands, Denmark, Finland, Sweden, Austria
83	981589	Internal Wire	1	for N.Z.
			1	for Switzerland till 7. 1987
	971825Z	Internal Wire	2	for Finland
84	959141	Connector (50092)	2	(10 pcs.)
85	959140	Connector (50091)	1~5	till 7, 1987 (10 pcs.)
94	961961	Guard Plate (A)	1	for U.S.A., Canada
95	949331	Flat Hd. Screw	M5 x 10	1 for U.S.A., Canada (10 pcs.)
96	949509	Rivet	D2.5 x 3.2	2 for Canada (10 pcs.)
97	962077	Washer (A) (B) Set	1	for D30 Carbide-Tipped Saw Blade
	962078	Washer (A) (B) Set	1	for D16/30 Combination Saw Blade
	962079	Washer (A) (B) Set	1	for D25/35 Combination Saw Blade
98	961791	Thrust Washer	1	for N.Z.

STANDARD ACCESSORIES

Item No.	Code No.	Part Name	Q'ty	Remarks
500	958405Z	Guide	1	
501	961831Z	Hexagon Bar Wrench	6 mm	1 for Europe
	949168	Double-ended Wrench	13/17	1 for Switzerland, France, N.Z., U.S.A.
502	949397	Wing Bolt	M5 x 10	1 (10 pcs.)

