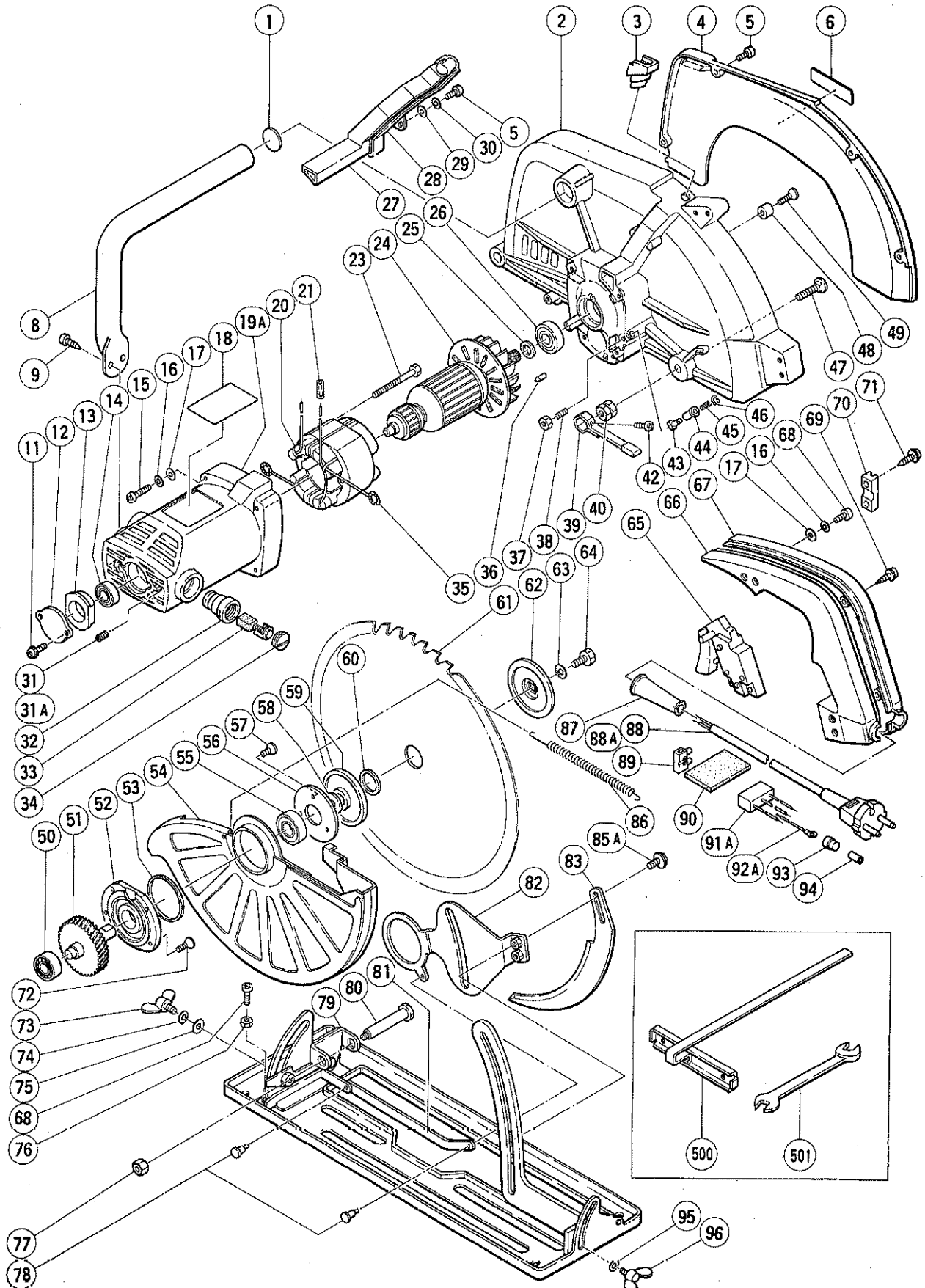


ELECTRIC TOOL PARTS LIST

■ CIRCULAR SAW
Model PSU - 13

1993 · 7 · 28
(E5)



PARTS

PSU-13

ITEM NO.	CODE NO.	DESCRIPTION	NO. USED	REMARKS
1	962-008Z	DAMPER	1	
2	961-972Z	GEAR COVER	1	
3	962-018Z	PROTECTOR (C)	1	
4	961-985Z	SAW COVER	1	
5	949-218	MACHINE SCREW M4X14 (10 PCS.)	6	
6	957-561	HITACHI LABEL	1	
8	961-978Z	SIDE HANDLE	1	
9	962-019Z	TAPPING SCREW D6X20	2	
11	982-095	TAPPING SCREW (W/WASHER) D4X20	2	
12	961-994Z	COVER PLATE	1	
13	962-006Z	BEARING BUSHING	1	
14	620-0VV	BALL BEARING 6200VVCMP2S	1	
15	949-249	MACHINE SCREW M5X45 (10 PCS.)	4	
16	949-454	SPRING WASHER M5 (10 PCS.)	12	
17	949-424	WASHER M5 (10 PCS.)	12	
18		NAME PLATE	1	
* 19A	961-990Z	HOUSING ASS'Y	1	INCLUD.31A,32
* 19A	961-991Z	HOUSING ASS'Y	1	INCLUD.31A,32 FOR AUT
* 20	961-986C	STATOR ASS'Y 110V - 115V	1	INCLUD.21,35
* 20	961-986D	STATOR ASS'Y 120V - 127V	1	INCLUD.21,35
* 20	961-986E	STATOR ASS'Y 220V - 230V	1	INCLUD.21,35
* 20	961-986F	STATOR ASS'Y 240V	1	INCLUD.21,35
* 20	961-986L	STATOR ASS'Y 220V	1	INCLUD.35 FOR DEN,FIN,FRA,SWE,AUT,SUI
* 20	961-986K	STATOR ASS'Y 220V - 230V	1	INCLUD.35 FOR FRG,SAF,ITA
* 20	961-986G	STATOR ASS'Y 230V - 240V	1	INCLUD.35 FOR NZL,GBR
* 20	961-986J	STATOR ASS'Y 110V	1	INCLUD.35 FOR GBR
* 21	981-373	TUBE (D)	2	
23	961-993	HEX. TAPPING SCREW D5X80	2	
* 24	961-987C	ARMATURE 110V - 127V	1	
* 24	961-987E	ARMATURE 220V - 230V	1	
* 24	961-987F	ARMATURE 240V	1	
* 24	961-987K	ARMATURE 220V	1	FOR SUI
25	931-514	WASHER	1	
26	620-2VV	BALL BEARING 6202VVCMP2S	1	
27	961-982Z	PROTECTOR (A)	1	
28	961-983Z	PROTECTOR (B)	1	
29	949-423	WASHER M4 (10 PCS.)	2	
30	949-453	SPRING WASHER M4 (10 PCS.)	2	
31	932-668	HEX. SOCKET SET SCREW M4X10	2	TILL 11.1985
31A	938-477	HEX. SOCKET SET SCREW M5X8	2	SINCE 12.1985
* 32	980-487	BRUSH HOLDER	2	
* 32	937-948	BRUSH HOLDER	2	FOR AUT
* 33	999-044	CARBON BRUSH (1 PAIR)	2	
* 33	937-943Z	CARBON BRUSH (AUTO STOP TYPE) (1 PAIR)	2	
* 34	940-540	BRUSH CAP	2	
* 34	937-949	BRUSH CAP	2	FOR AUT
35	958-032	BRUSH TERMINAL	2	
36	946-362	BEARING LOCK	1	
37	949-566	LOCK NUT M5 (10 PCS.)	1	
38	982-169	HEX. SOCKET SET SCREW M5X12	1	
39	500-330	CLAMP BAR	1	

*: ALTERNATIVE PARTS

PARTS

PSU-13

ITEM NO.	CODE NO.	DESCRIPTION	NO. USED	REMARKS	
40	961-411Z	CLAMP NUT	1		
42	949-215	MACHINE SCREW M4X8 (10 PCS.)	1		
43	961-980Z	LOCK PIN	1		
44	962-009Z	SLEEVE	1		
45	983-595	SPRING	1		
46	955-479	RETAINING RING (E - TYPE) FOR D8 SHAFT	1		
47	961-977Z	BOLT (SQUARE) M8	1		
48	961-439Z	CUSHION	1		
49	949-347	FLAT HD. SCREW M8X30 (10 PCS.)	1		
50	600-1VV	BALL BEARING 6001VVCMP2L	1		
51	961-973Z	SPINDLE GEAR	1		
52	961-974Z	BEARING HOLDER	1		
53	962-007Z	THRUST WASHER	1		
*	54	961-998Z	SAFETY COVER	1	
*	54	961-997Z	SAFETY COVER FOR RIVING KNIFE	1	
55	620-3VV	BALL BEARING 6203VVCMP2S	1		
56	961-975Z	BEARING LID	1		
57	949-322	FLAT HD. SCREW M4X10 (10 PCS.)	3		
58	962-013Z	DISTANCE WASHER	1		
59	962-010Z	WASHER (A)	1		
*	60	961-992Z	ADAPTER RING	1	FOR FRG,GBR
*	61	961-970Z	SAW BLADE (COMBINATION) 335MM - D25 HOLE	1	
*	61	961-971Z	SAW BLADE (COMBINATION) 335MM - D30 HOLE	1	
*	61	962-020Z	TCT SAW BLADE 335MM - D25 HOLE	1	
*	61	962-021Z	TCT SAW BLADE 335MM - D30 HOLE	1	
62	962-011Z	WASHER (B)	1		
63	961-157	SUPER LOCK WASHER	1		
64	985-019	SCREW (G) M10X25	1		
65	961-810Z	SWITCH (2P PILLAR TYPE) W/SAFETY LOCK	1		
66	962-002Z	HANDLE (A) ASS'Y	1	INCLUD.3	
67	961-984Z	HANDLE (B)	1		
68	949-239	MACHINE SCREW M5X16 (10 PCS.)	9		
69	956-636	TAPPING SCREW (W/WASHER) D4X25	2		
70	960-266	CORD CLIP	1		
71	930-446	TAPPING SCREW (W/WASHER) D4X16	2		
72	949-332	FLAT HD. SCREW M5X12 (10 PCS.)	4		
73	949-427	WING BOLT M8X20 (10 PCS.)	1		
74	949-457	SPRING WASHER M8 (10 PCS.)	1		
75	949-433	BOLT WASHER M8 (10 PCS.)	3		
76	949-555	NUT M5 (10 PCS.)	1		
77	946-228	U - NUT M8	1		
*	78	962-001Z	RIVET (A) (FOR PRODUCT W/RIVING KNIFE)	2	
*	79	962-000Z	BASE ASS'Y	1	INCLUD.68,73 - 76,95,96
*	79	961-999Z	BASE ASS'Y (FOR PRODUCT W/RIVING KNIFE)	1	INCLUD.68,73 - 76,78,81,82,95,96
				FOR EUROPE	
80	946-423	SET BOLT	1		
*	81	962-003Z	CONNECTING ARM FOR RIVING KNIFE	1	
*	82	962-004Z	ARM FOR RIVING KNIFE	1	
*	83	961-995Z	RIVING KNIFE	1	FOR EUROPE
85A	961-794	BOLT (W/FLANGE) M8X12	2		
86	961-976Z	RETURN SPRING	1		

*: ALTERNATIVE PARTS

PARTS

PSU-13

ITEM NO.	CODE NO.	DESCRIPTION	NO. USED	REMARKS
* 87	958-049Z	CORD ARMOR D8.2	1	
* 87	940-778	CORD ARMOR D10.7	1	
* 88	500-201Z	CORD	1	(CORD ARMOR D10.7)
* 88	500-214Z	CORD	1	(CORD ARMOR D10.7)
* 88	500-223Z	CORD	1	(CORD ARMOR D10.7) FOR SIN
* 88	500-234Z	CORD	1	(CORD ARMOR D8.2) FOR INA,MLT,SUR, FRG,ITA
* 88	500-236Z	CORD	1	(CORD ARMOR D8.2) FOR OCEANIA
* 88	500-237Z	CORD	1	(CORD ARMOR D8.2) FOR SAF
* 88	500-242Z	CORD	1	(CORD ARMOR D10.7) FOR USA,CAN
* 88	500-245Z	CORD	1	(CORD ARMOR D10.7) FOR SYR
* 88	500-246Z	CORD	1	(CORD ARMOR D10.7) FOR GBR (110V)
* 88	500-247Z	CORD	1	(CORD ARMOR D10.7) FOR HOL,DEN,FRA, FIN,SWE,AUT
* 88	500-248Z	CORD	1	(CORD ARMOR D10.7) FOR SUI
* 88A	500-435Z	CORD	1	(CORD ARMOR D8.2) FOR GBR (240V)
* 89	938-307Z	PILLAR TERMINAL	1	FOR FIN
* 90	930-153	SUPPORT (B)	1	FOR SAF,FRG,DEN,SWE,FIN,AUT,SUI,ITA, FRA,HOL
* 91A	994-273	NOISE SUPPRESSOR	1	
* 91A	930-030	NOISE SUPPRESSOR	1	FOR GBR
* 92A	962-026	INTERNAL WIRE	1	
* 92A	962-022	INTERNAL WIRE	1	FOR FIN,AUT
* 93	959-140	CONNECTOR 50091 (10 PCS.)	1	FOR SAF,SWE,AUT,GBR,FRA
* 94	961-820	TUBE (D)	2	FOR SAF,FRG,DEN,SWE,FIN,AUT,SUI
95	949-432	BOLT WASHER M6 (10 PCS.)	1	
96	949-394	WING BOLT M6X10 (10 PCS.)	2	

STANDARD ACCESSORIES

ITEM NO.	CODE NO.	DESCRIPTION	NO. USED	REMARKS
500	500-374	GUIDE	1	
501	949-188	WRENCH 13/17MM	1	

OPTIONAL ACCESSORIES

ITEM NO.	CODE NO.	DESCRIPTION	NO. USED	REMARKS
601	962-023	DUST COLLECTOR SET (C)	1	

*: ALTERNATIVE PARTS

Printed in Japan 7-93