

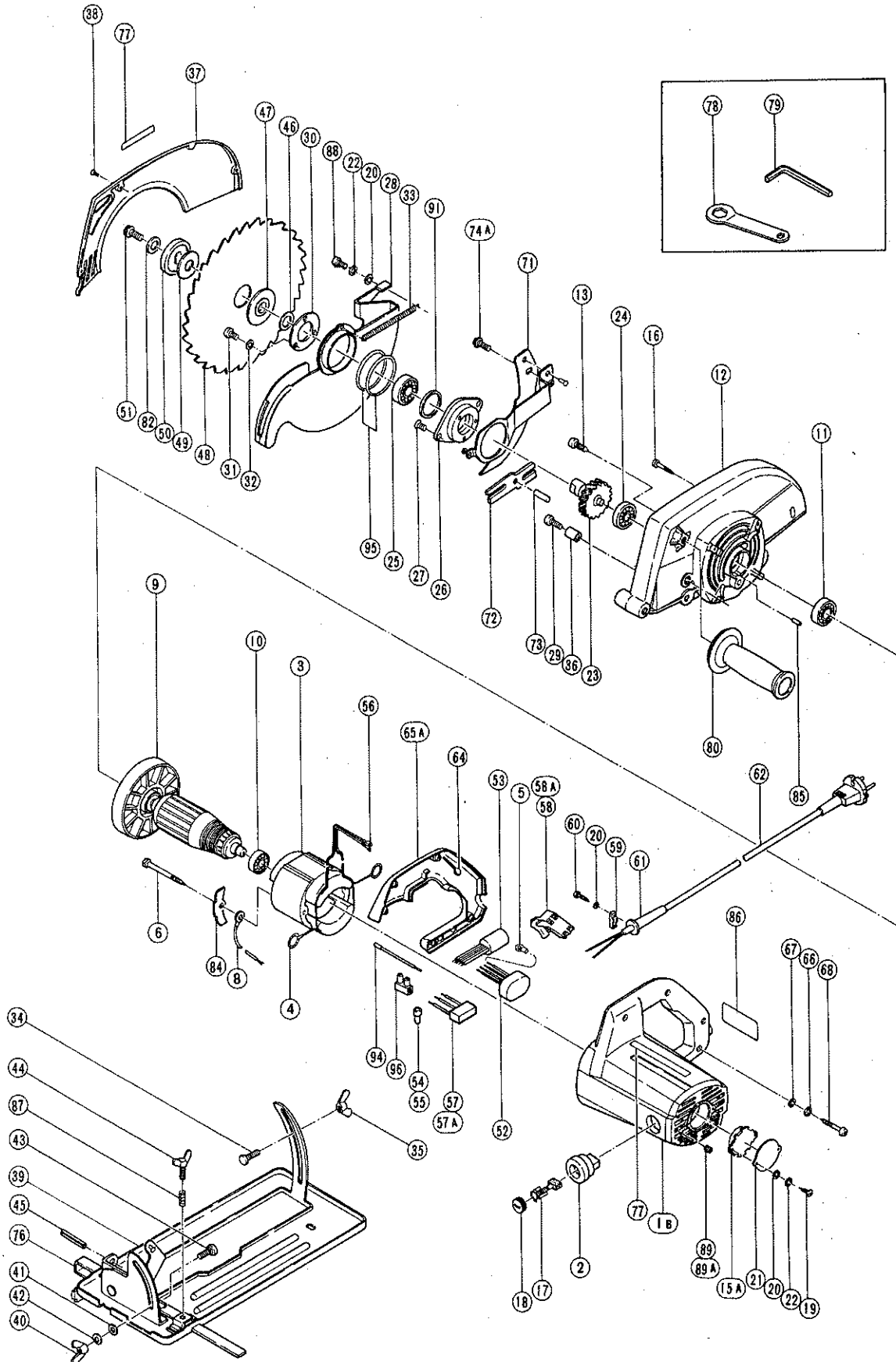
ELECTRIC TOOL PARTS LIST

■ CIRCULAR SAW

Model PSU-8

1987.11.30

PSU-8(E6)



PARTS

PSU-8(E6)

Item No.	Code No.	Part Name	Q'ty	Remarks
1B	—	Housing Ass'y	1	See alternative parts
2	—	Brush Holder	2	See alternative parts
3	—	Stator Ass'y	2	See alternative parts
4	958032	Brush Terminal	2	
5	—	Terminal	1	See alternative parts
6	953174	Hexagon Hd. Tapping Screw D5 x 55	2	
8	—	Internal Wire	1	See alternative parts
9	—	Armature	1	See alternative parts
10	939220	Ball Bearing (6200VVCM)	1	
11	939494	Ball Bearing (6202VVCM)	1	
12	—	Gear Cover	1	See alternative parts
13	955912	Tapping Screw D5 x 45	2	
15A	961443	Bearing Bushing	1	
16	956669	Tapping Screw D5 x 55	2	
17	999044	Carbon Brush	2	
18	—	Brush Cap	2	See alternative parts
19	956384	Tapping Screw D5 x 20	2	
20	949423	Washer	2	for M4 (10 pcs.)
21	500308	Cover Plate	1	
22	949453	Spring Lock Washer	2	for M4 (10 pcs.)
23	—	Spindle Gear	1	See alternative parts
24	939291	Ball Bearing (608VVC2)	1	
25	—	Ball Bearing	1	See alternative parts
26	940867	Bearing Holder	1	
27	949331	Flat Hd. Screw M5 x 10	2	(10 pcs.)
28	—	Safety Cover	1	See alternative parts
29	949335	Flat Hd. Screw M5 x 18	1	(10 pcs.)
30	—	Bearing Cap	1	See alternative parts
31	949216	Machine Screw M4 x 10	3	(10 pcs.)
32	949453	Spring Lock Washer	3	for M4 (10 pcs.)
33	958040	Return Spring	1	
34	957073	Bolt M6	1	
35	949313	Wing Nut M6	1	(10 pcs.)
36	958053	Cushion	1	
37	958041Z	Saw Cover	1	
38	949216	Hd. Machine Screw M4 x 10	4	(10 pcs.)
39	—	Base Ass'y	1	See alternative parts
40	949313	Wing Nut M6	1	(10 pcs.)
41	949425	Washer	1	for M6 (10 pcs.)
42	949455	Spring Lock Washer	1	for M6 (10 pcs.)
43	942808	Bolt M6 x 20	1	
44	941055	Wing Bolt M6 x 15	1	
45	949750	Roll Pin D6 x 50	1	(10 pcs.)
46	—	Distance Piece	1	See alternative parts
47	—	Washer (A)	1	See alternative parts
48	—	Combination Saw Blade	1	See alternative parts
49	—	Adapter Ring	1	See alternative parts
50	—	Washer (B)	1	See alternative parts
51	949660	Hexagon Socket Hd. Bolt M6 x 20	1	(10 pcs.)
52	—	Choke Coil	1	See alternative parts
53	—	Noise Suppressor	1	See alternative parts
54	—	Connector	3	See alternative parts
55	—	Connector	2	See alternative parts

PARTS

PSU-8(E6)

Item No.	Code No.	Part Name	Q'ty	Remarks
56	—	Terminal	2	See alternative parts
57	—	Noise Suppressor	1	See alternative parts
58	—	Switch	1	See alternative parts
59	937631	Cord Clip	1	
60	954004	Tapping Screw D4 x 16	2	
61	—	Cord Armor	1	See alternative parts
62	—	Cord	1	See alternative parts
64	931715	Packing	1	till 1, 1987
65A	500325	Handle Cover	1	
66	949453	Spring Lock Washer	5	for M4 (10 pcs.)
67	949423	Washer	5	for M4 (10 pcs.)
68	958705	Tapping Screw D4 x 25	5	
71	—	Arm Ass'y	1	See alternative parts
72	—	Connecting Plate	1	See alternative parts
73	—	Roll Pin	1	See alternative parts
74	—	Bolt	1	See alternative parts
76	958405Z	Guide Ass'y	1	
77	957561	HITACHI Label	2	
78	958067	Wrench	1	
79	944459	Hexagon Bar Wrench 5	1	for M6
80	956633	Slide Handle	1	
82	958077Z	Washer	1	
84	958054Z	Fan Guide	2	
85	946362	Bearing Lock	1	
86	—	Name Plate	1	See alternative parts
87	941056	Spring	1	
88	949215	Machine Screw M4 x 8	1	(10 pcs.)
89	949368	Slotted Hd. Set Screw M4 x 10	2	till 10, 1985 (10 pcs.)
89A	938477	Hexagon Socket Hd. Set Screw M5 x 8	2	since 11, 1985 (10 pcs.)
91	—	Washer	1	See alternative parts
92	—	Rivet	4	See alternative parts
94	—	Internal Wire	2	See alternative parts
95	958406Z	Thrust Washer	1	
96	—	Pillar Terminal	1	See alternative parts

ALTERNATIVE PARTS

Item No.	Code No.	Part Name	Q'ty	Remarks
1A	958030Z	Housing Ass'y	1	includes 2, 6, 7, 89A
	958113	Housing Ass'y (for Safety Switch)	1	for France includes 2, 6, 7, 89A
2	980487	Brush Holder	2	
3	958031C	Stator Ass'y 110V ~ 115V	1	includes 4
	958031D	Stator Ass'y 120V ~ 127V	1	includes 4
	958031E	Stator Ass'y 220V ~ 230V	1	includes 4
	958031F	Stator Ass'y 240V	1	includes 4
	958031L	Stator Ass'y 220V	1	for Europe, N.Z. includes 4
	958068E	Stator Ass'y 220V ~ 230V	1	for S. Africa, Sweden, Norway includes 4

ALTERNATIVE PARTS

PSU-8(E6)

Item No.	Code No.	Part Name	Q'ty	Remarks
5	930804	Terminal	1	for M4 (10 pcs.)
8	981589	Internal Wire	1	
9	958033C	Armature	110V ~ 115V	1
	958033D	Armature	120V ~ 127V	1
	958033E	Armature	220V ~ 230V	1
	958033F	Armature	240V	1
12	958034Z	Gear Cover	1	for Europe
	958035Z	Gear Cover	1	
18	940540	Brush Cap	2	
23	958037Z	Spindle Gear Ass'y	1	
	958057P	Spindle Gear Ass'y	1	for D16
25	939494	Ball Bearing (6202VVCM)	1	
	877027	Ball Bearing (6003VVCM)	1	for D16
28	958070Z	Safety Cover	1	
	958071Z	Safety Cover	1	for Europe
30	940868	Bearing Cap	1	
	958058P	Bearing Cap	1	for D16
39	958042Z	Base Ass'y	1	includes 40 ~ 44, 87
	958043Z	Base Ass'y	1	for Europe includes 40 ~ 44, 87
46	940839	Distance Piece	1	
	958059P	Distance Piece	1	for D16
47	940840	Washer (A)	1	for D30
	958072Z	Washer (A)	1	for D25/D35
	958060P	Washer (A)	1	for D16
48	958073Z	Combination Saw Blade	210 mm	1 bore size 30 mm
	958074Z	Combination Saw Blade	210 mm	1 bore size 35 mm
	958075Z	Combination Saw Blade	210 mm	1 bore size 25 mm
	958079P	Combination Saw Blade	210 mm	1 bore size 16 mm
	958081Z	Carbide Tipped Saw Blade	210 mm	1 bore size 30 mm
49	958048Z	Adaptor Ring	1	for Europe
50	957064	Washer (B)	1	
	940841	Washer (B)	1	for D30
52	500323	Choke Coil	1	
53	500258Z	Noise Suppressor	1	
54	959140	Connector (50091)	3	(10 pcs.)