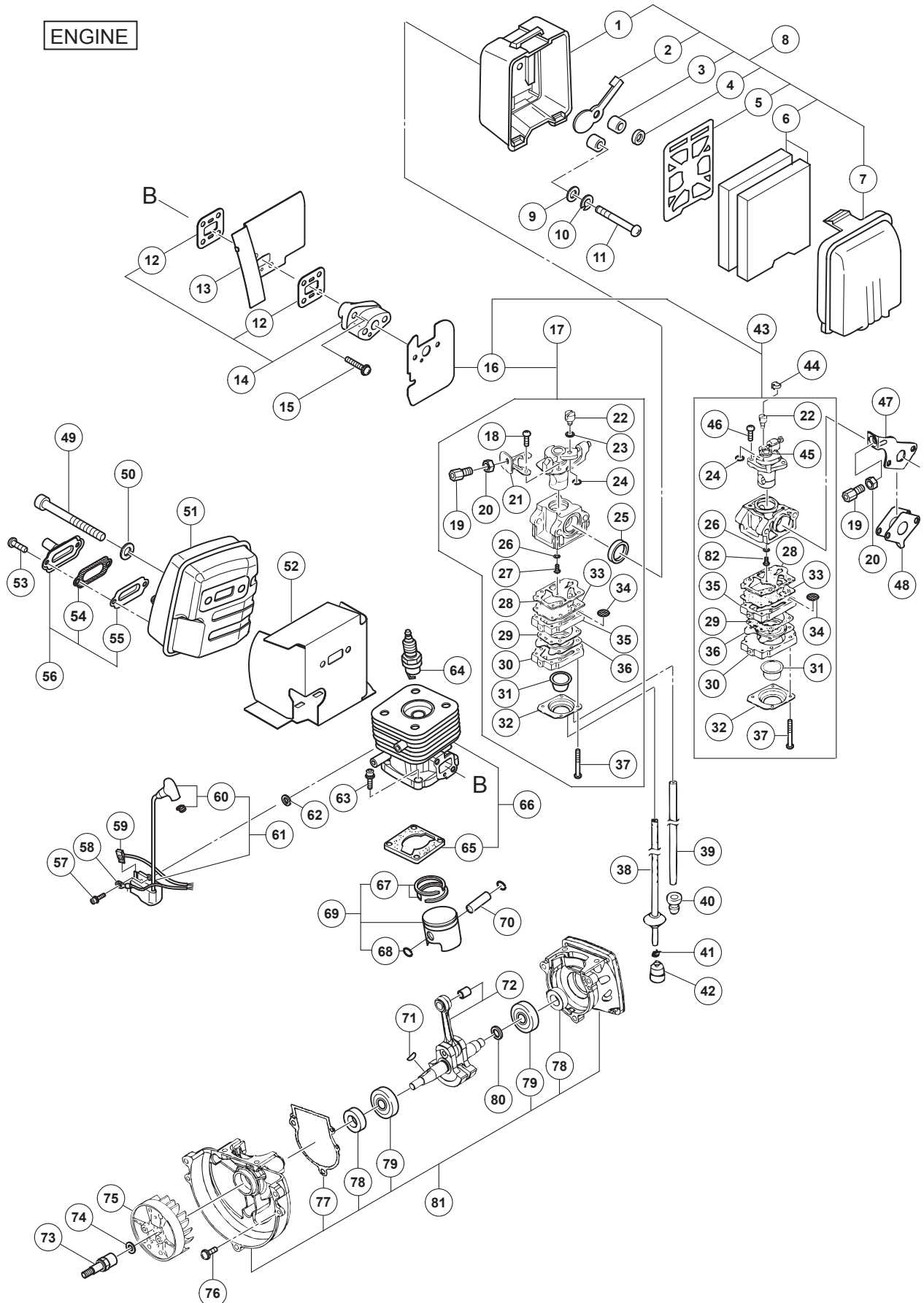


ENGINE TOOL PARTS LIST

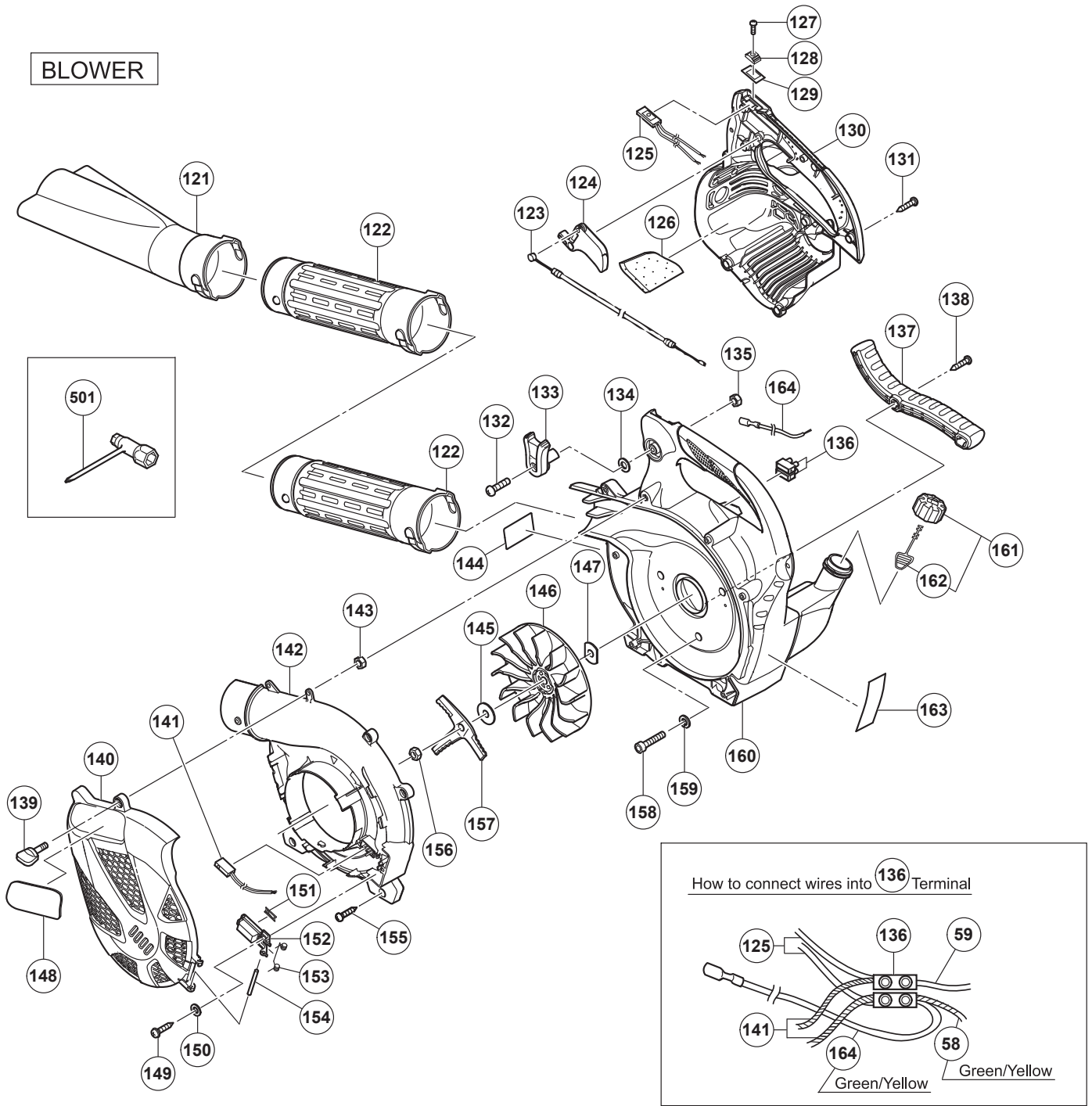
ENGINE BLOWER Model RB 24E

2008·11·28
(E1)

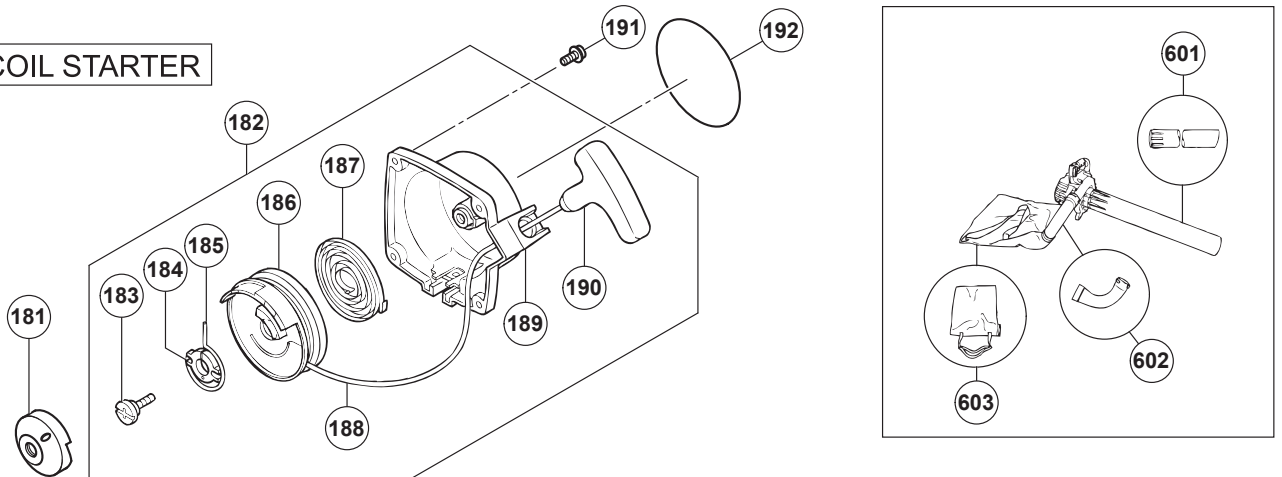
ENGINE



BLOWER



RECOIL STARTER



PARTS

RB 24E

ITEM NO.	CODE NO.	DESCRIPTION	NO. USED	REMARKS
		ENGINE		
1	668-4856	AIR CLEANER BODY	1	
2	668-4857	CHOKE VALVE	1	
3	668-4858	COLLAR	2	
4	668-4859	SPACER	1	
5	668-4860	BLOW OVER CHECK BOARD	1	
6	668-4861	CLEANER SPONGE	2	
7	668-4862	CLEANER CAP	1	
8	668-4863	AIR CLEANER ASS'Y	1	INCLUD. 1-7
9	668-4662	S. WASHER 5	2	
10	668-4864	SMALL WASHER 5	2	
11	668-4660	SCREW M5X60	2	
12	668-4865	INSULATOR GASKET	2	
13	668-4866	PARTITION PLATE	1	
14	668-4867	INSULATOR SET	1	INCLUD. 12
15	668-4617	HEX. HOLE BOLT 5X25/WS	2	
16	668-4868	CARBURETOR GASKET	1	
* 17	668-4869	CARBURETOR SET WYJ470	1	INCLUD. 16, 18-37 FOR EUROPE
* 18	668-4870	THROTTLE SET SCREW	2	FOR EUROPE
19	668-4871	CABLE ADJUSTER	1	
20	668-4872	LOCK NUT M6	1	
* 21	668-4873	CABLE ADJUSTER STAY	1	FOR EUROPE
22	668-4697	SWIVEL	1	
* 23	668-4874	THRUST WASHER	1	FOR EUROPE
24	668-4696	STOP RING	1	
* 25	668-4875	CLEANER PACKING	1	FOR EUROPE
26	668-4695	O-RING	1	
* 27	668-4876	MAIN JET #37	1	FOR EUROPE
28	668-4692	PUMP GASKET	1	
29	668-4691	DIAPHRAGM GASKET	1	
30	668-4687	PRIMING PUMP COMP.	1	
31	668-4689	PRIMING BODY	1	
32	668-4688	DIAPHRAGM COVER	1	
33	668-4693	PUMP DIAPHRAGM	1	
34	668-4700	INLET SCREEN	1	
35	668-4879	PUMP BODY COMP.	1	
36	668-4690	METERING DIAPHRAGM	1	
37	668-4699	SET SCREW	4	
38	668-4618	FUEL PIPE ASS'Y	1	
39	668-4880	FUEL PIPE 3X5X80	1	
40	668-4627	RETURN GROMMET	1	
41	668-4619	CLIP, 6.3 DIA.	1	
42	668-4620	PUMP FILTER BODY COMP.	1	
* 43	668-4881	CARBURETOR SET WYL260	1	INCLUD. 16, 22, 24, 26, 28-37, 45, 46, 82 FOR ASIA, MEX
* 43	668-4882	CARBURETOR SET WYL266	1	INCLUD. 16, 22, 24, 26, 28-37, 45, 46, 82 FOR AUS
* 44	668-4628	SWIVEL CAP	1	FOR ASIA, MEX, AUS
* 45	668-4883	THROTTLE VALVE COMP.	1	FOR ASIA, MEX, AUS
* 46	668-4698	THROTTLE SET SCREW	2	FOR ASIA, MEX, AUS

PARTS

RB 24E

ITEM NO.	CODE NO.	DESCRIPTION	NO USED	REMARKS
*	47	668-4884 WIRE SET PLATE	1	FOR ASIA, MEX, AUS
*	48	668-4885 CLEANER GASKET	1	FOR ASIA, MEX, AUS
	49	668-4638 HEX. HOLE BOLT M6X55	2	
	50	668-4639 WASHER 6	2	
*	51	668-4886 MUFFLER COMP.	1	
*	51	668-4887 MUFFLER COMP.	1	FOR ASIA, MEX, AUS
	52	668-4888 INSULATOR	1	
	53	668-4651 SCREW M4X8/WS	2	
	54	668-4889 SPARK ARRESTER	1	
	55	668-4890 MUFFLER SPECIAL GASKET	1	
	56	668-4891 TAIL PIPE SET	1	INCLUD. 54, 55
	57	668-4599 HEX. HOLE BOLT M4X18/WS	2	
	58	668-4892 EARTH CORD 120L	1	
	59	668-4893 STOP CORD 145L	1	
	60	668-4894 PLUG CAP ASS'Y	1	
	61	668-4895 IGNITION COIL ASS'Y	1	INCLUD. 60
	62	668-4600 WASHER	2	
	63	668-4586 HEX. HOLE BOLT M5X18/S	4	
	64	668-4584 SPARK PLUG BMR7A	1	
	65	668-4896 CYLINDER GASKET	1	
	66	668-4897 CYLINDER SET	1	INCLUD. 65
	67	668-4588 PISTON RING	2	
	68	668-4590 PISTON PIN CIRCLIP	2	
	69	668-4898 PISTON SET	1	INCLUD. 67, 68
	70	668-4591 PISTON PIN	1	
	71	668-4899 WOODRUFF KEY 3X13X4.5	1	
	72	668-4900 CRANK SHAFT COMP.	1	
	73	668-4901 SPECIAL BOLT	1	
	74	668-4611 WASHER M8	1	
	75	668-4902 MAGNETO ROTOR COMP.	1	
	76	668-4903 HEX. HOLE BOLT M5X16/S	4	
	77	668-4904 CRANK CASE GASKET	1	
	78	668-4607 OIL SEAL TB 12227	2	
	79	668-4608 BALL BEARING 6001 C3	2	
	80	668-4604 GEAR SHAFT SHIM 0.20	1	
	80	668-4605 GEAR SHAFT SHIM 0.30	1	
	81	668-4905 CRANK CASE ASS'Y	1	INCLUD. 77-79
*	82	668-4877 MAIN JET #37	1	FOR ASIA, MEX
*	82	668-4878 MAIN JET #39	1	FOR AUS
		BLOWER		
	121	668-4906 FAN-HEADED PIPE	1	
	122	668-4907 STRAIGHT PIPE	2	
*	123	668-4908 THROTTLE WIRE 235+92	1	
*	123	668-4909 THROTTLE WIRE 245+93	1	FOR ASIA, MEX, AUS
	124	668-4910 THROTTLE LEVER	1	
	125	668-4911 STOP SWITCH COMP.	1	
	126	668-4912 PROTECTION SHEET	1	
	127	668-4913 SCREW 3X10	1	
	128	668-4914 BUTTON STOP	1	
	129	668-4915 STOP SWITCH MARK	1	

PARTS

RB 24E

ITEM NO.	CODE NO.	DESCRIPTION	NO USED	REMARKS
130	668-4916	MUFFLER PROTECTOR	1	
131	302-089	TAPPING SCREW (W/FLANGE) D5X20 (BLACK)	7	
132	317-751	MACHINE SCREW (W/WASHERS) M5X25	1	
133	668-4917	CRUISE LEVER	1	
134	668-4918	WASHER M5	1	
135	305-491	NYLON NUT M5	1	
136	938-307	PILLAR TERMINAL	2	
137	668-4919	SUPPORT HANDLE	1	
138	302-089	TAPPING SCREW (W/FLANGE) D5X20 (BLACK)	2	
139	668-4920	COVER SETTING BOLT	1	
140	668-4921	GUARD NET	1	
141	668-4922	MICRO SWITCH	1	
142	668-4923	VOLUTE CASE	1	
143	949-566	LOCK NUT M5 (10 PCS.)	1	
144		NAME PLATE	1	
145	668-4924	WASHER 8.1X30	1	
146	668-4925	FAN	1	
147	668-4926	WASHER 10.1X30	1	
148	668-4927	SYMBOL MARK (HITACHI)	1	
149	302-089	TAPPING SCREW (W/FLANGE) D5X20 (BLACK)	1	
150	668-4918	WASHER M5	1	
151	668-4928	COVER SPRING ASS'Y	1	
152	668-4929	SWITCH COVER	1	
153	668-4930	SPRING	1	
154	668-4931	PIN	1	
155	302-089	TAPPING SCREW (W/FLANGE) D5X20 (BLACK)	5	
156	668-4932	U-NUT M8	1	
157	668-4933	SHREDDER	1	
158	668-4934	HEX. HOLE BOLT M5X35	3	
159	668-4834	SPRING WASHER 5	3	
160	668-4935	FAN CASE (A) ASS'Y	1	INCLUD. 38-42, 132-135, 137, 138
161	668-4622	TANK CAP ASS'Y	1	INCLUD. 162
162	668-4625	TANK CAP CHAIN	1	
* 163		CAUTION MARK USA	1	FOR USA
164	668-4936	LEAD WIRE ASS'Y	1	
		RECOIL STARTER		
181	668-4937	STARTER PULLEY	1	
182	668-4938	RECOIL STARTER BODY ASS'Y	1	INCLUD. 183-190
183	668-4679	SET SCREW	1	
184	668-4939	PULLEY STAY	1	
185	668-4940	SWING ARM	1	
186	668-4941	STARTER ROPE REEL	1	
187	668-4942	RECOIL SPRING	1	
188	668-4943	ROPE 3.0X800	1	
189	668-4944	RECOIL STARTER BODY COMP.	1	
190	668-4680	STARTER HANDLE	1	
191	668-4682	HEX. HOLE BOLT 4X15/PS	4	
192	668-4945	STARTER MARK (HITACHI)	1	

